

IPR

INDICE - INDEX - SOMMAIRE - VERZEICHNIS

IPR-01

Impianto idraulico - Hydraulic circuit
Circuit hydraulique - Wasser-anlage

PRT AEP

IPR-02

Impianto idraulico - Hydraulic circuit
Circuit hydraulique - Wasser-anlage

PRT SAE

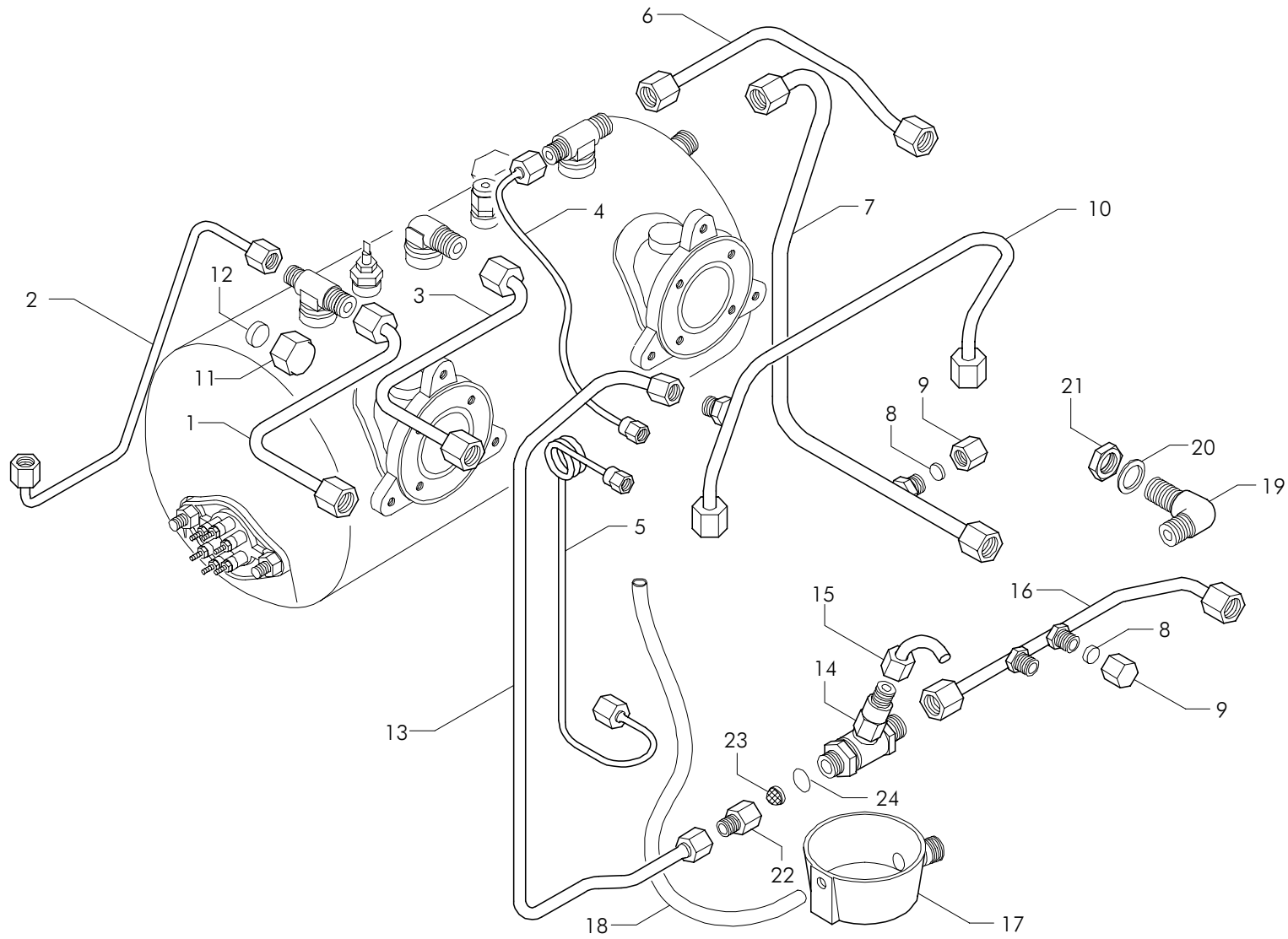
*Impianto
idraulico*

*Hydraulic
circuit*

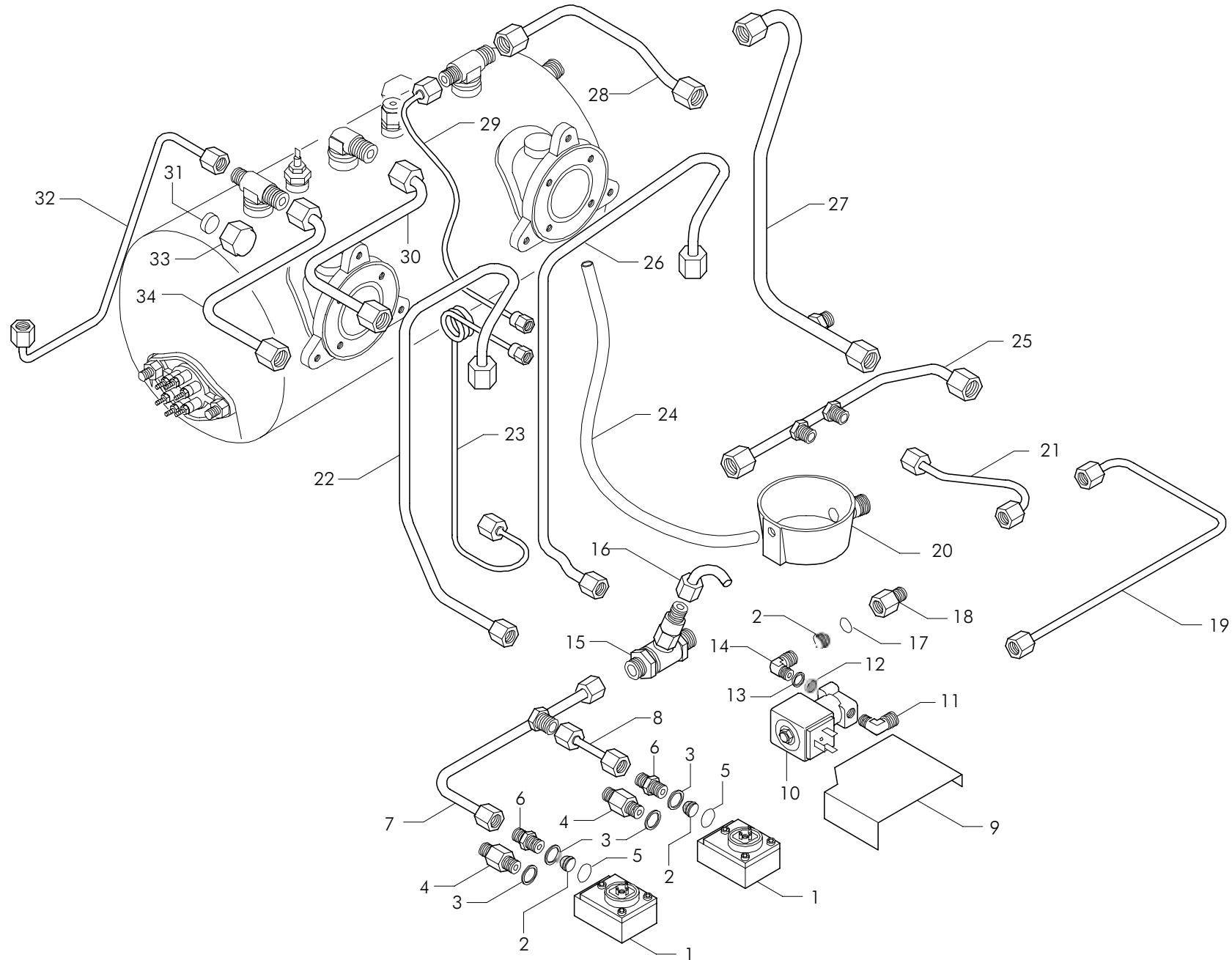
*Circuit
hydraulique*

Wasser-anlage

PRT



Pos	Cod.	Denominazione - IT -	Denomination - GB -	Denomination - FR -	Denomination - DE -
1	52001477	TUB.D-8 L.285 AR 98 CALDAIA	TUBE D-8 L.285 AR 98	TUYAU D-8 L.285 AR 98	ROHR D-8 L.285 AR 98
2	52001476	TUB.D-6 L.410 AR 97 CALDAIA	TUBE D-6 L.410 AR 97	TUYAU D-6 L.410 AR 97	ROHR D-6 L.410 AR 97
3	52001310	TUB.D-8 L.290 2-4GR SC.TAZ. LD 9	TUBE D-8 L.290 2-4GR LD9	TUYAU D-8 L.290 2-4GR LD9	ROHR D-8 L.290 2-4GR LD9
3	52001374	TUB.D-8 L.370 2-4GR SC.TAZ. LD9/A	TUBE D-8 L.370 2-4GR LD9/A	TUYAU D-8 L.370 2-4GR LD9/A	ROHR D-8 L.370 2-4GR LD9/A
4	52000291	TBS.D-4 L.285 DV 92 CALDAIA	TUBE D-4 L.285 DV 92	TUYAU D-4 L.285 DV 92	ROHR D-4 L.285 DV 92
5	52000110	TBS.D-4 L.730 1-4GR A 44	TUBE D-4 L.730 1-4 GR A 44	TUYAU D-4 L.730 1-4GR A 44	ROHR D-4 L.730 1-4GR A 44
6	52001401	TUB.D-8 L.290 2-4GR AR 2 CALDAIA	TUBE D-8 L.290 2-4GR AR 2	TUYAU D-8 L.290 2-4GR AR 2	ROHR D-8 L.290 2-4GR AR 2
7	52001440	TBS.D-10 L.490 2GR AR 63 POMPA	TUBE D-10 L.490 2GR	TUYAU D-10 L.490 2GR	ROHR D-10 L.490 2GR
8	12007	GUARNIZIONE KLINGERSIL4400	KLINGERSIL4400 COPPER SEAL	JOINT KLINGERSIL4400 POUR BOUCHON	DICHTUNG KLINGER SIL4400 X DECKEL
9	25782	TAPPO FEMMINA 1/4 GAS	1/4 GAS FEMALE TAP	BOUCHON FEMELLE 1/4 GAZ	INNENANSCHLUSSSTÖPSEL 1/4 GAS
10	52000071	TBS.D-8 L.460 2GR A 14/SC GRUPPO	TUBE D-8 L.460 2GR	TUYAU D-8 L.460 2GR	ROHR D-8 L.460 2GR
11	25781	TAPPO FEMMINA 3/8	FEMALE CAP 3/8	BOUCHON FEMELLE 3/8	STOPFEN 3/8
12	12402	GUARNIZ.PASTICCA KLINGERSIL4400 15X3	GASKET KLINGERSIL4400 15X3	JOINT KLINGERSIL4400 15X3	DICHTUNG KLINGERSIL4400 15X3
13	52001450	TBS.D-8 L.615 2GR AEP ESTR. AR 72	TUBE D-8 L.615 2GR	TUYAU D-8 L.615 2GR	ROHR D-8 L.615 2GR
14	20361	VALVOLA S.C.N.R. REGOLABILE	ADJUSTABLE S.C.N.R. VALVE	SOUPAPE S.C.N.R. REGLABLE	EINSTELLBARES VENTIL S.N.C.R.
15	52002898	TUB.D-6 L.50 3 W169	D-6 50 L3 ORION PIPE W169	TUYAU D-6 L.50 3 ORION W1	ROHR D. 6 L.50 3 ORION W1
16	52003217	TBS.D-8 L.220 W0 18 POMPA	TUBE D-8 L.220 W018	TUYAU D-8 L.220 W018	ROHR D-8 L.220 W018
17	15502	VASCETTA SCARICO ROTONDA D 80	ROUND DRAIN BASIN D.80MM	CUVE A VIDANGER RONDE D.80MM	RUNDE ABFLUSSCHALE D.80MM
18	15474	TUBO SILICONE 6X9 ROTOLO	SILICONE HOSE 6X9 KGXMT 0.035	TUYAU SILICONE 6X9 KGXMT 0.035	SILIKONROHR 6X9 KGXMT 0.035
19	43067	RACCORDO "L" 3/8 GASX3/8 GAS L.30	3/8 GAS X 3/8 GAS L FITTING L.30	RACCORD L 3/8 GAZX3/8 GAZ L.30	ANSCHLUSS L 3/8 GAS X 3/8 GAS L. 30
20	25651	RONDELLA OTTONE 3/8	BRASS WASHER 3/8	RONDELLE LAITON 3/8	MESSINGSCHLEIBE 3/8
21	25356	CONTRODADO OTTONE 3/8	BRASS LOCK NUT 3/8	CONTRE-ECROU LAITON 3/8	MESSING-GEGENMUTTER 3/8
22	25715002	RACCORDO DRITTO 1/4F 1/4M FORO D-1.2	CONNECTOR 1/4F 1/4M D-1.2	RACCORD 1/4F 1/4M D-1.2	GERADER ANSCHLUSS 1/4F 1/4M LOCH D-1.2
23	10254	FILTRO ACCIAIO 160-200 MESH	STEEL FILTER 160-200 MESH	FILTRE EN ACIER 160-200 MESH	STAHLFILTER 160-200 MESH
24	12329	GUARNIZ.OR 2031 VITON 7.66XW1.78 H20	O RING 2031 VITON 7.66XW1.78	JOINT OR 2031 VITON 7.66X1.78	OR DICHTUNG 2031 VITON 7.66XW1.78



Pos	Cod.	Denominazione - IT -	Denomination - GB -	Denomination - FR -	Denomination - DE -
1	18126	DOSATORE FLOWMETER FH 12 909602	FH 12 907613 FLOWMETER DOSER	DOSEUR FLOWMETER FH 12 907613	DOSIERER FLOWMETER FH 12 907613
2	10254	FILTRO ACCIAIO 160-200 MESH	STEEL FILTER 160-200 MESH	FILTRE EN ACIER 160-200 MESH	STAHLFILTER 160-200 MESH
3	12153	GUARNIZIONE CU 1/4 17X13.3X1.5	1/4 17X13.3X1.5 COPPER SEAL	JOINT CUIVRE 1/4 17X13.3X1.5	KUPFERDICHTUNG 1/4 17X13.3X1.5
4	25708	RACCORDO 1/4X1/4	1/4X1/4 FITTING	RACCORD 1/4X1/4	ANSCHLUSS 1/4X1/4
5	12329	GUARNIZ. OR 2031 VITON 7.66XW1.78 H2O	O RING 2031 VITON 7.66XW1.78	JOINT OR 2031 VITON 7.66X1.78	OR DICHTUNG 2031 VITON 7.66XW1.78
6	25686	RACCORDO 1/4X1/4 FLANGIA	CONNECTOR 1/4 X 1/4 FLANGE	RACCORD 1/4 X 1/4 BRIDE	ANSCHLUSS 1/4X1/4 FLANSCH
7	52000320	TBS.D-8 L.215 DV 2/A	D-8 215 L PIPE DV 2/A	TUYAU D-8 L.215 DV 2/	ROHR D. 8 L.215 DV 2/
8	52000202	TBS.D-6 L.65 DV 3	D-6 65 L PIPE DV 3	TUYAU D-6 L.65 DV	ROHR D.6 L.65 DV
9	77604	COPRIELETTROVALVOLA AEA WO/WN	AEA SOLENOID VALVE COVER	COUVRE-ELECTROVANNE AEA	ABDECKUNG ELEKTROVENTIL AEA
10	18162	ELETTRIOVAL. 230V AEA VE140.2IR VDE/UL	SOL.VALVE WATER REFILL 230V PARKER	ELECTROVANNE REA 230V PARKER	ELEKTROVENTIL AWZ 230V PARKE R
10	18195	ELETTRIOVAL. 120V VE140.2IR VDE/UL PAR	SOLENOID VALVE SCEM 2/2 110V 60HZ	ELECTROVANNE SCEM 2/2 110V 60HZ	MAGNETVENTIL SCEM 2/2 110V 60HZ
11	23201	RACCORDO OTT.GOM.D6.2 1/4X1/8-AEA	ELBOW BRASS CONNECTOR D6.2 1/4X1/8	RACCORD COUDE LAITON D6.2 1/4X1/8	MESSING-ANSCHLUSS D6.2 1/4X 1/8
12	10251001	FILTRO IN ACCIAIO D-8 SP.0.3	STEEL FILTER D-8 - 0.3 THICK	FILTRE EN ACIER D-8 EP.0.3	STAHLFILTER D-8 SP.0.3
13	12155	GUARNIZIONE CU 8.5X5X1	COPPER GASKET 8.5X5X1	JOINT CU 8.5X5X1	CU DICHTUNG 8.5X5X1
14	23217	RACCORDO GOMITO D10 3/8X1/8 CON	FITTING D10 3/8X1/8 WITH AWI F 1.2	RACCORD GOMME D10 3/8X1/8 AEE F 1.2	FITTING D10 3/8X1/8 MIT A.W .F. 1.2
15	20361	VALVOLA S.C.N.R. REGOLABILE	ADJUSTABLE S.C.N.R. VALVE	SOUPAPE S.C.N.R. REGLABLE	EINSTELLBARES VENTIL S.N.C.R.
16	52001351	TUB.D-6 L.170 2GR SAE LD 42	TUBE D-6 L.170 2GR SAE LD 42	TUYAU D-6 L.170 2GR SAE LD 42	ROHR D-6 L.170 2GR SAE LD 42
17	12312	GUARNIZIONE OR FILTRO AEA 10X2	O RING FOR WATER REFILL FILTER 10X2	JOINT OR FILTRE AUT.REM.EAU 10X2	OR DICHTUNG FUR WASSERFULLUNGF ILTER
18	25705	RACCORDO FILTRO AEA	AUT.WATER REFILL FILTER CONNECTOR	RACCORD FILTRE REM.EAU.AUT.	FILTERFITTING AUT.WASSERFULLUNG
19	52003214	TUB.D-6 L.345 WO 15 ELETTRIOVALVOLA	TUBE D-6 L.345 WO 15	TUYAU D-6 L.345 WO 15	ROHR D-6 L.345 WO 15
20	15502	VASCHETTA SCARICO ROTONDA D 80	ROUND DRAIN BASIN D.80MM	CUVE A VIDANGER RONDE D.80MM	RUNDE ABFLUSSCHALE D.80MM
21	52003202	TBS.D-6 L.130 WO 3 BLOCCETTO	TUBE D-6 L.130 WO 3	TUYAU D-6 L.130 WO 3	ROHR D-6 L.130 WO 3
22	52001449	TBS.D-8 L.670 2GR SAE ESTR. AR 71	TUBE D-8 L.670 2GR	TUYAU D-8 L.670 2GR	ROHR D-8 L.670 2GR
23	52000110	TBS.D-4 L.730 1-4GR A 44	TUBE D-4 L.730 1-4 GR A 44	TUYAU D-4 L.730 1-4GR A 44	ROHR D-4 L.730 1-4GR A 44
24	15474	TUBO SILICONE 6X9 ROTOLO	SILICONE HOSE 6X9 KGXMT 0.035	TUYAU SILICONE 6X9 KGXMT 0.035	SILIKONROHR 6X9 KGXMT 0.035
25	52003217	TBS.D-8 L.220 WO 18 POMPA	TUBE D-8 L.220 W018	TUYAU D-8 L.220 W018	ROHR D-8 L.220 W018
26	52001448	TBS.D-8 L.740 2GR SAE ESTR. AR 70	TUBE D-8 L.740 2GR	TUYAU D-8 L.740 2GR	ROHR D-8 L.740 2GR
27	52001440	TBS.D-10 L.490 2GR AR 63 POMPA	TUBE D-10 L.490 2GR	TUYAU D-10 L.490 2GR	ROHR D-10 L.490 2GR
28	52001401	TUB.D-8 L.290 2-4GR AR 2 CALDAIA	TUBE D-8 L.290 2-4GR AR 2	TUYAU D-8 L.290 2-4GR AR 2	ROHR D-8 L.290 2-4GR AR 2
29	52000291	TBS.D-4 L.285 DV 92 CALDAIA	TUBE D-4 L.285 DV 92	TUYAU D-4 L.285 DV 92	ROHR D-4 L.285 DV 92
30	52001310	TUB.D-8 L.290 2-4GR SC.TAZ. LD 9	TUBE D-8 L.290 2-4GR LD9	TUYAU D-8 L.290 2-4GR LD9	ROHR D-8 L.290 2-4GR LD9
30	52001374	TUB.D-8 L.370 2-4GR SC.TAZ. LD9/A	TUBE D-8 L.370 2-4GR LD9/A	TUYAU D-8 L.370 2-4GR LD9/A	ROHR D-8 L.370 2-4GR LD9/A
31	12402	GUARNIZ.PASTICCA KLINGERSIL4400 15X3	GASKET KLINGERSIL4400 15X3	JOINT KLINGERSIL4400 15X3	DICHTUNG KLINGERSIL4400 15X3
32	52001476	TUB.D-6 L.410 AR 97 CALDAIA	TUBE D-6 L.410 AR 97	TUYAU D-6 L.410 AR 97	ROHR D-6 L.410 AR 97
33	25781	TAPPO FEMMINA 3/8	FEMALE CAP 3/8	BOUCHON FEMELLE 3/8	STOPFEN 3/8
34	52001477	TUB.D-8 L.285 AR 98 CALDAIA	TUBE D-8 L.285 AR 98	TUYAU D-8 L.285 AR 98	ROHR D-8 L.285 AR 98