

HLF[®]
ITALIAN DESIGN

2700



INSTRUCTION MANUAL

Part Code: 9BME27G14



RETAIN FOR FUTURE USE!

The copyright of these Instructions Manual, which are entrusted to the recipient personally, remains with the HLF company.

The content may not be disclosed or made available to any third party without the express consent of the HLF company.

These Operating Instructions must be read and applied by anyone performing work with or on the equipment described.

In particular, it is imperative that all such persons familiarize themselves with the safety instructions.

1	Description	8
1.1	Design.....	8
1.1.1	External description	8
1.1.2	Internal description.....	9
1.2	Introduction	10
1.2.1	The HLF 2700 coffee maker	10
1.2.2	"Cup / Jug sensor" optional.....	10
1.3	Technical rates.....	10
1.3.1	Dimensions.....	10
1.3.2	Weight	10
1.3.3	Electric rates	10
1.3.4	Machine identification	11
1.4	Environmental conditions	11
1.4.1	Temperature and humidity	11
1.4.2	Space requirements.....	12
2	Safety instructions	12
2.1	Warnings.....	12
2.1.1	Warnings symbols used.....	12
2.1.2	Where warning symbols are located	13
2.1.3	Safety information in this Instructions Manual.	13
2.2	Basic safety instructions.....	15
2.2.1	Proper use	15
2.2.1.1	General	15
2.2.1.2	Proper use of HLF 2700 coffee maker	15
2.2.1.3	Proper use of milk with HLF 2700 coffee maker	15
2.2.2	Specific hazards and instructions.....	16
2.2.2.1	Specific hazards and instructions of HLF 2700 coffee maker	16
2.2.3	Limitation of liability	18

3	Installation.....	19
3.1	Transport	19
	3.1.1. Receiving the unit	19
	3.1.2. Un-packing.....	19
	3.1.3 Checking the internal of the unit.....	23
3.2	Procedure	24
	3.2.1 Minimum Requirements	24
	3.2.2 Water connection	24
	3.2.2.1 How to connect the drainage tube	26
	3.2.2.2 External waste drawer	27
	3.2.3 Electric connection.....	29
3.3	Start up and operation mode.....	30
	3.3.1 Loading products	30
	3.3.1.1 Coffee beans	30
	3.3.1.2 Powders.....	32
	3.3.1.3 Milk	33
	3.3.2 Turning ON the unit.....	36
	3.3.3 Initial heating.....	39
	3.3.4 Adjusting the Coffee Grinder	40
	3.3.5 How to adjust the Grinder Blades.....	42
	3.3.5.1 Closing the grinder blades	42
	3.3.5.2 Opening the grinder blades.....	42
	3.3.5.3 How to use pre-ground coffee.....	42
	3.3.6 How to refill detergent tank	44
4	Cleaning guide	47
4.1	Cleaning warnings.....	47
4.2	Cleaning table	47
4.3	Accessing the Automatic Cleaning Cycles	48
4.4	FRESH MILK	49
	4.4.1 Automatic Daily Cleaning	49

4.4.2	Manual Daily Cleaning	51
4.4.3	Whipper Cleaning	54
4.5	POWDER MILK	54
4.5.1	Daily Cleaning.....	54
4.6	Coffee Group Cleaning	55
4.7	Powder Canisters and Mixing Bowls Cleaning	56
4.8	Coffee Group's Chute Cleaning.....	64
5	Operating the computer software	65
5.1	Cleaning Cycle.....	65
5.2	Clean Screen	66
5.3	Main Menu	69
5.3.1	Layout.....	71
5.3.1.1	Drink	72
5.3.1.2	Preselections	74
5.3.1.2.1	Preselection functions.....	76
5.3.2	Selection Keys	77
5.3.2.1	Recipes.....	79
5.3.2.1.1	General Options.....	80
5.3.2.1.2	Products and Hot Water.....	81
5.3.2.1.3	Coffee Options	85
5.3.2.1.4	Hot Milk.....	88
5.3.2.1.5	Choose Preselections	89
5.3.2.1.6	Drink Execution.....	90
5.3.2.1.7	Ingredients Description	91
5.3.2.2	Copy	92
5.3.2.3	Swap.....	94
5.3.3	Media.....	95
5.3.3.1	Add Video	100
5.3.3.2	Add YouTube Video.....	102
5.3.3.3	Add Image	103
5.3.3.4	Add Web Page.....	105
5.3.4	Counters	108
5.3.4.1	Drinks Counters	109
5.3.4.2	Cleaning.....	110
5.3.4.3	PSU Log	111
5.3.4.4	Technical Data.....	112

TABLE OF CONTENTS

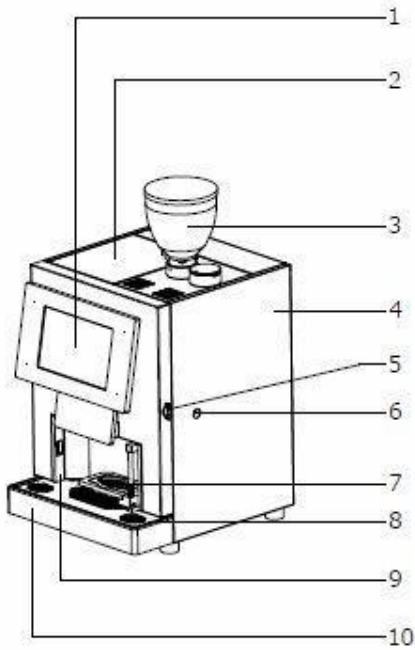
5.3.5. Email.....	113
5.3.6. Set Data.....	118
5.3.6.1 Generic Settings	119
5.3.6.2 Technician Options	121
5.3.6.3 File Settings	126
5.3.6.3.1 Files upload via USB.....	128
5.3.6.4 Temperature	129
5.3.6.5 Message Options	130
5.3.6.6 Drink Prices	132
5.3.7 Settings.....	134
5.3.7.1 Wi-Fi	135
5.3.7.2 Advanced Options.....	136
5.3.7.2.1 Software update.....	143
5.3.7.3 Happy Hour.....	146
5.3.7.4 Cleaning Cycle Schedule Setting.....	149
5.3.7.5 Energy Saving	156
5.3.7.6 QR Codes	160
5.3.7.6.1 Scan Drink QR Codes Mode.....	162
5.3.7.6.2 Code Printer Mode.....	164
5.3.7.6.3 QR Codes Users	166
5.3.8 Conversion.....	171
5.3.9 Set Blades	175
5.3.10 Security.....	177
5.3.11 Info.....	180
5.3.12 Reboot Interface	181
5.3.13 Manual.....	183
5.4 Alarm Reset	185
5.5 Re-Fill Ingrid.	187
6 Daily maintenance Check list	191
6.1 Check list	191
6.2 How to empty grounds drawer	192
7 Inactivity	193
8 Disposal.....	194
9 Guarantee, consumables, spare parts, ordering procedure	195

9.1	Guarantee.....	195
9.2	Consumables, spare parts, ordering procedure.....	196
10	Troubleshooting	197
10.1	Checklist for fault diagnosis and troubleshooting.....	197

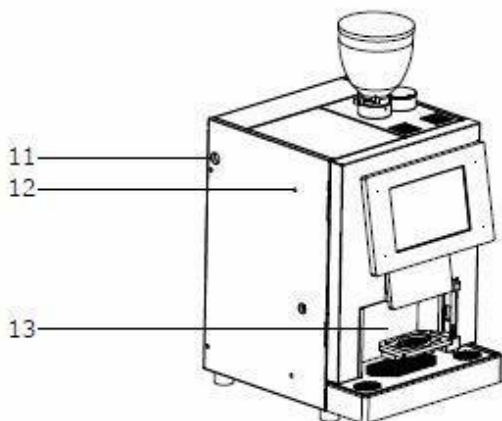
1 Description

1.1 Design

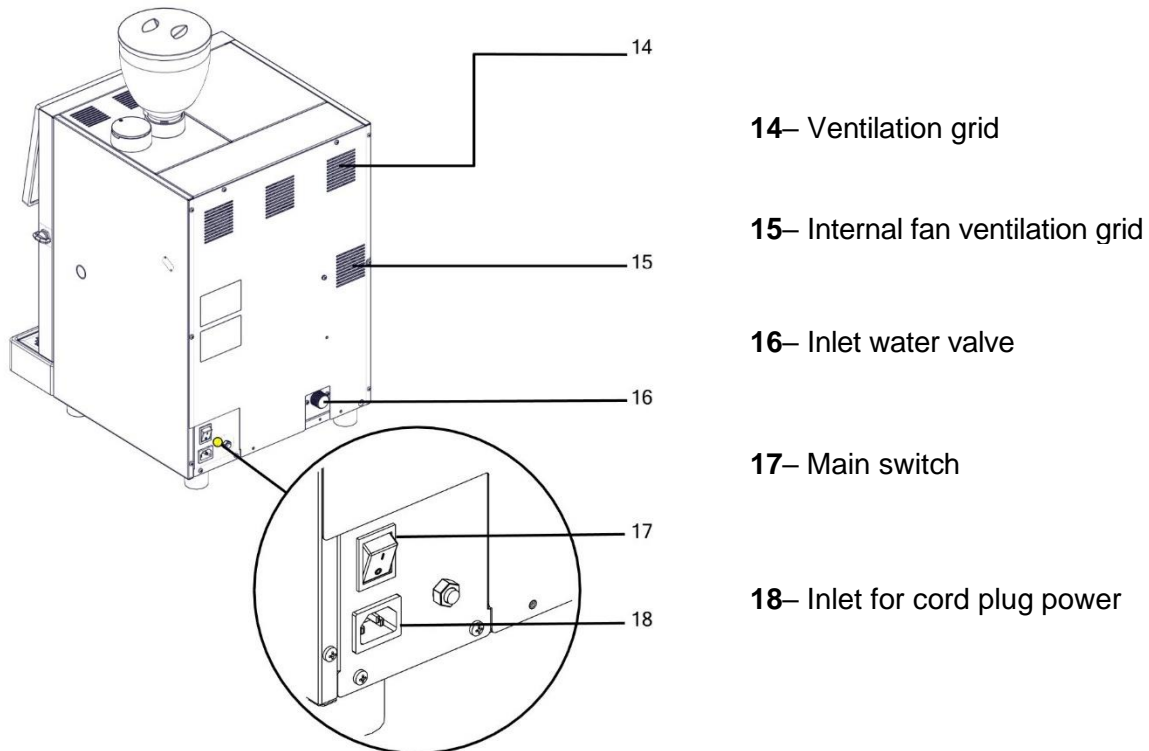
1.1.1 External description



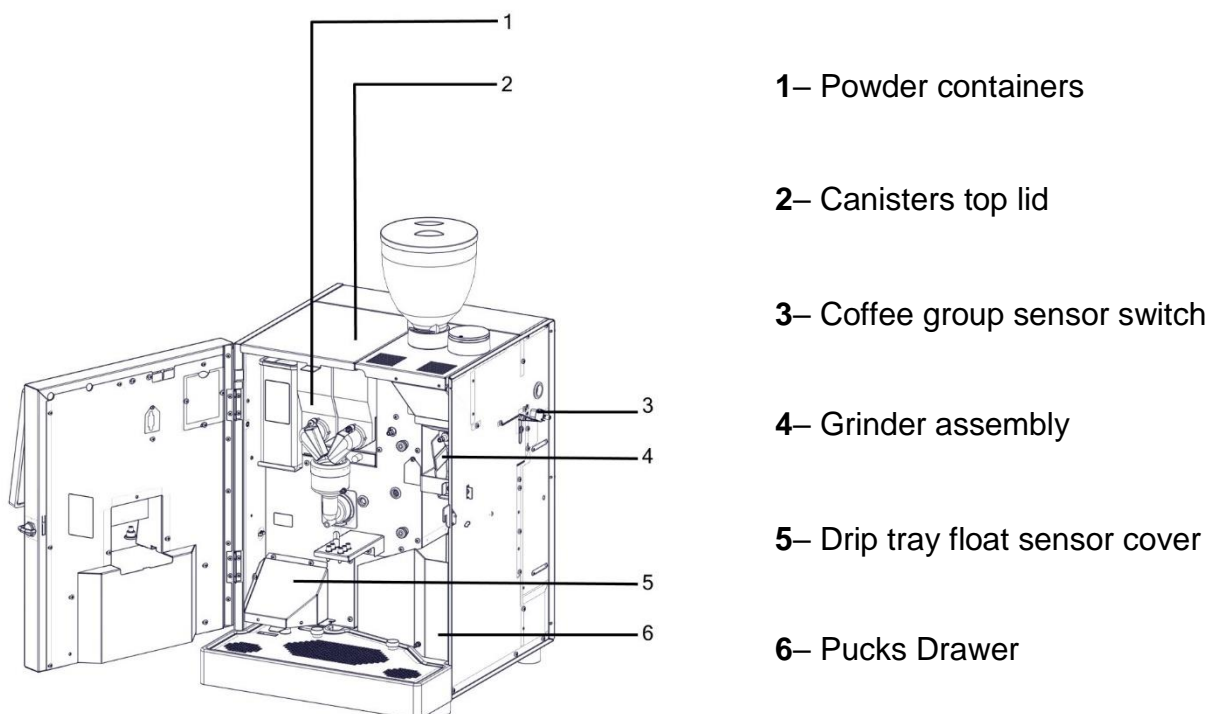
- 1 – Touch screen
- 2 – Top lid
- 3 – Bean hopper
- 4 – Key lock
- 5 – Removable right side panel
- 6 – Milk tube passage hole
- 7 – Cup raiser
- 8 – Cup holder grid
- 9 – Cup sensor (optional)
- 10 – Drip tray



- 11 – Cash box fixing holes
- 12 – Payment system wires hole
- 13 – Cup station



1.1.2 Internal description



1.2 Introduction

1.2.1 The HLF 2700 coffee maker

The HLF 2700 coffee maker is a fully automatic coffee maker machine, which, in the basic version, can dispense pre-programmed coffee products directly into the cup. The beverage required is selected via an intuitive touchscreen up to 30 selections.

The HLF 2700 coffee maker exhibits the latest marks of conformity, indicating that it satisfies the necessary certification standards.



1.2.2 "Cup / Jug sensor" optional

A dedicated sensor can be placed in the internal of the front door to detect the presence of the cup, Jug or any other container, in order to prevent accidental dispense of drinks.

1.3 Technical rates

1.3.1 Dimensions

Height: 590mm

Depth: 380mm

Length:410mm

1.3.2 Weight

The weight of the machine has to be considered without ingredients and water inside.

Weight: 46 Kg

1.3.3 Electric rates

Volts: 120 V ac or 230 V ac. 50/60 Hz (refer to the identification plate on the back of the machine)

Power: 1.400 W for HLF 2700 120 V – 1900 W for HLF 2700 230 V

1.3.4 Machine identification

The identification plate is located on the back panel of the machine near the main switch. A copy of the same identification plate is located inside the machine on the left wall opening the front door.

HLF [®] ITALIAN DESIGN	HLF S.R.L. Via Postioma, 34 31050 Carbonera Treviso - ITALY	
Model:	<input type="text"/>	
Code:	<input type="text"/>	Electrical Marks
Serial N. :	<input type="text"/>	
Date:	<input type="text"/>	
Water Pressure: 0,1 to 0.6 Mpa Max		

1.4 Environmental conditions

1.4.1 Temperature and humidity

Operating and storage temperatures:

- min. + 5 °C
- max. + 25 °C

Operating and storage humidity:

- max. 80 %

Operating in case of frozen environment

- Is not allowed to use the machine with environment temperature below 0°C

1.4.2 Space requirements

Minimum space required for operation:

- 180 mm from the top lid must be kept clear to allow for replenishment of beans.
- 100 mm from the back panel to allow ventilation.
- 300 mm from the right side to allow the fresh milk operations.



NOTE

The machine must be placed in vertical position on a flat horizontal shelf for a correct operation.

The machine must not be placed in an area where a jet of water could be used.

2 Safety instructions

2.1 Warnings

2.1.1 Warnings symbols used

The following warnings symbols may be affixed to the equipment.



Low voltage

- Warning of dangerous electrical voltage.
- Electric shocks can lead to serious injuries or death.
- Only authorized technical personnel may perform work on electrical installations.
- The technical safety instructions must be followed.
- Unplug equipment before carrying out any work on electrical installations.



Hot surface / hot internal components

- Warning of heat which could lead to injuries.
- Allow hot surfaces and components to cool before carrying out any work on these component parts.
- If necessary, wear heat-resistant gloves.

2.1.2 Where warning symbols are located



NOTE

- The equipment comes supplied with warning symbols (stickers) affixed wherever appropriate.
- If any of the warning symbols would fall off during operation or following cleaning work, the operator must stick these warning symbols back again immediately.

2.1.3. Safety information in this Instructions Manual.

In this Instructions Manual, you will find the following three levels of safety information:

Level 1



WARNING

- A warning refers to significant hazards. Errors in follow the relevant safety instruction could lead to injuries or death.

Depending on the type of danger, instead of STOP, one of the following symbols could be combined with the word WARNING.



WARNING

- Warning of electric shock.



WARNING

Warning of heat.

Level 2



CAUTION

The CAUTION symbol stresses important instructions. Failure to observe these instructions could damage the equipment or other material assets.

• Level 3



NOTE

- Notes contain additional information aimed at raising the general level of safety and at lightening the user's workload.

2.2 Basic safety instructions

2.2.1 Proper use

2.2.1.1 General

Proper use includes, in addition to the specific provisions set out below, observing this Instructions Manual and complying with the supplier's obligatory maintenance and repair instructions.

- Risk of injury: Do not modify the machine in any way!
It is strictly prohibited to modify HLF devices!
The manufacturer assumes no liability for any consequences resulting from modifications having been made to the devices, whether inside or out.
- Never open the machine to make modifications yourself.
- The dispensing unit must only be repaired by trained service staff using original replacement parts. This ensures that the safety of the dispensing unit is not affected.
- This dispensing machine is not intended to be used by persons (including children) with reduced physical, sensory or mental capabilities or with a lack of experience and knowledge unless they were explicitly trained by a responsible person or briefed in the use of the dispensing machine to ensure their safety. Children must be kept away from the machine at all times. Children shall not play with this dispensing machine. Cleaning and maintenance of this machine must not be operated by persons (including children) with reduced physical, sensory or mental capabilities or with a lack of experience.
- Access to the service area is limited to persons who have knowledge and practical experience of the machine, in particular as regards safety and hygiene.

2.2.1.2 Proper use of HLF 2700 coffee maker

The HLF 2700 coffee maker is used solely to dispense coffee products, coffee and milk combined products, coffee and soluble powders combined products, soluble powder products and hot water, soluble and milk combined products. No other use of the HLF 2700 coffee maker will be deemed to be proper.

2.2.1.3 Proper use of milk with HLF 2700 coffee maker

- Do not use unpasteurized milk! Only use heat treated (e.g. pasteurized or ultra-heat treated) milk.

- Only use milk with a sell-by date that has not yet expired
- When pouring milk into the container, pay attention to hygiene to ensure that no contaminated milk enters the system.
- Only pour milk that has already been cooled down (below 4°C) into the milk container.
- Once the milk has been opened, use it up within 24 hours to prevent health hazards.
- Refer to paragraph 4.4 for the proper maintenance and cleaning of the HLF milk system.

2.2.2 Specific hazards and instructions

2.2.2.1 Specific hazards and instructions of HLF 2700 coffee maker



WARNING

- Never insert either the hands or any rod-shaped object into a bean hopper when the HLF 2700 coffee maker is connected to the main power supply.
- Only coffee beans may be introduced into the bean hopper.
- The machine must be located in places where authorized personnel can check it in every moment.
- Never unscrew the computer board placed behind the front door. This operation has to be done by authorized personnel only.
- Never unscrew the back panel of the machine. This operation has to be done by authorized personnel only.



WARNING

- Hot liquid comes out from the bottom of the beverage outlet. There is a danger of scalding.
- The bottom of the hot water outlet is hot after it has been dispensing liquid. There is a danger of burns.

**WARNING**

- Never interfere with the electricity supply connection or modify it. This could result in fatal injuries.
- Never remove the screw mounted covers. This operation can be dangerous because can result in fatal injuries upon contact with live components.

**NOTE**

- Electrical equipment which does not have adequate electro-magnetic protection should not be operated close to the HLF 2700 coffee maker.
- The drip tray serves solely to collect drip water. It must not be used as a sink.

**CAUTION**

- Only operate the HLF 2700 coffee maker in covered locations, avoiding places where there is a risk of water splash. There is a risk of damage.
- Never spray the HLF 2700 coffee maker with a water hose during cleaning. There is a risk of damage.
- Always empty the coffee grounds container correctly. There is a danger of overflow.

**WARNING**

If handled improperly, the equipment could cause serious or fatal injuries. Anyone using and maintaining the equipment must have knowledge of the correct handling of the equipment and must have read and understood the safety instructions in this Instructions Manual before starting to use or maintain the equipment.



WARNING

Never modify or remove any safety mechanisms. Do not disable any safety mechanisms by modifying the equipment. If there are any warning symbols affixed to the equipment, do not remove them. Replace any lost or defective warning symbols immediately.



WARNING

Never operate the equipment in a damaged condition. Report any irregularities to your superior immediately, especially if they affect safety.

2.2.3

Limitation of liability

- HLF accepts no liability for any injuries or accidents if the safety instructions covered in this manual are not adhered to. Additionally, liability is only accepted within the boundaries of the machine (see paragraphs 1.2.1 "*The HLF 2700 coffee maker*", 4 "*Cleaning Guide*", 3.2.2 "*Water connection*", 3.2.3 "*Electric connection*"). HLF shall be liable for faults on the machine in accordance with the warranty regulations.
- The manufacturer cannot be held liable for any damage caused by misuse or inappropriate handling of the machine.

3 Installation

3.1 Transport

During the transport of the HLF 2700 coffee maker is important to avoid the following operations:

- Turning the box upside down or lay it down on its side
- Dropping the box
- Exposing it to rain, excessive cold or heat, or damp places

3.1.1. Receiving the unit



NOTE

Before to open the box of the HLF 2700 coffee maker, check out the packaging to be sure there is no damage.

If damage is noticed, place a claim with the freight forwarder immediately.

Check for:

- Dents or damage of the box
- Wet areas
- Signs of tampering

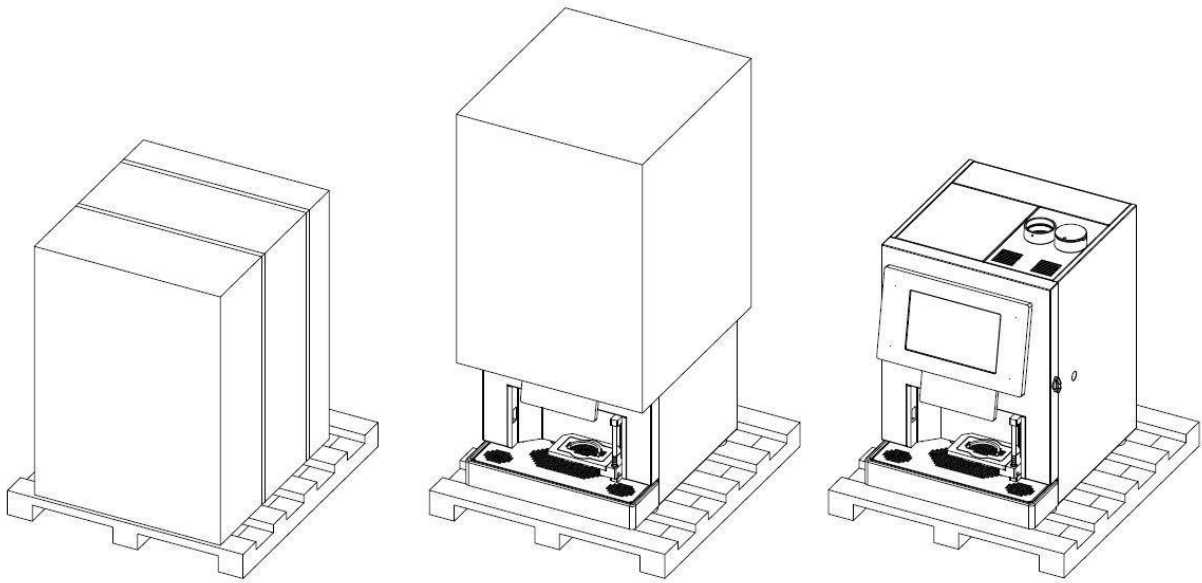
If the power cord is damaged, it must be replaced with an original replacement cord.

3.1.2. Un-packing

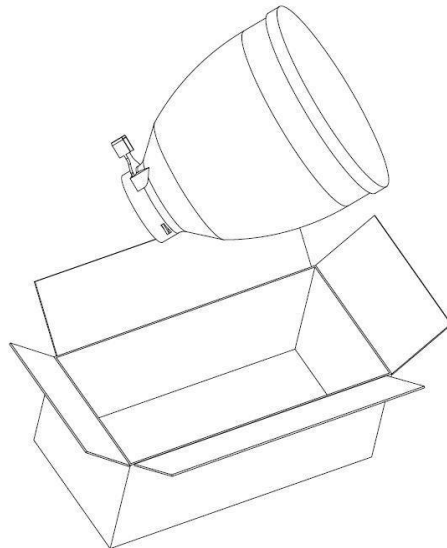
The HLF 2700 coffee maker is packed in a strong carton specifically designed for this unit. This should protect the unit during the transportation.

To further protect it, take out the unit from the box only when you have reached the location where the machine will be installed, and only after all the electrical and water connections are in place.

To take out the unit, you have to cut the plastic strip, and take out the upper carton cover with the white styrofoam sheets. Then you can take out the pallet.

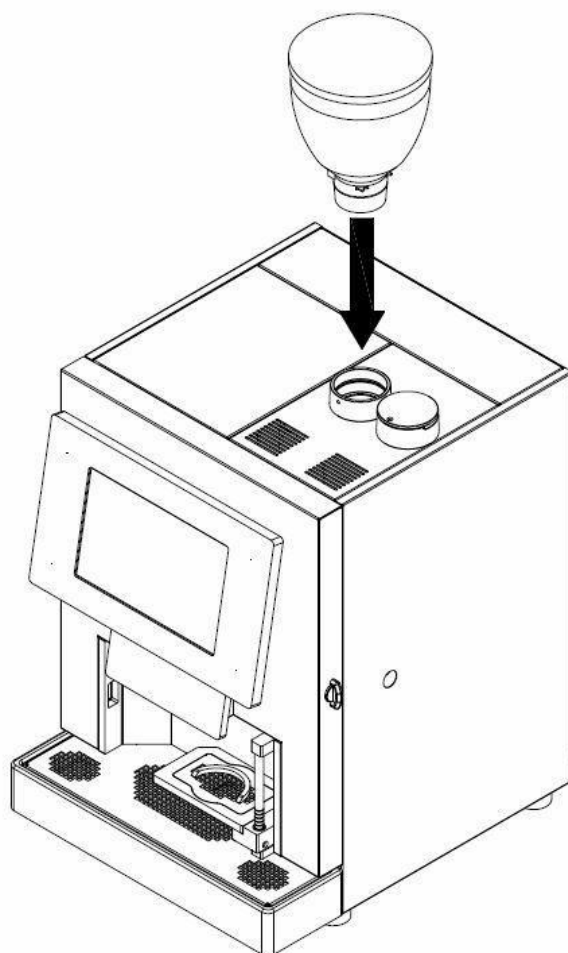


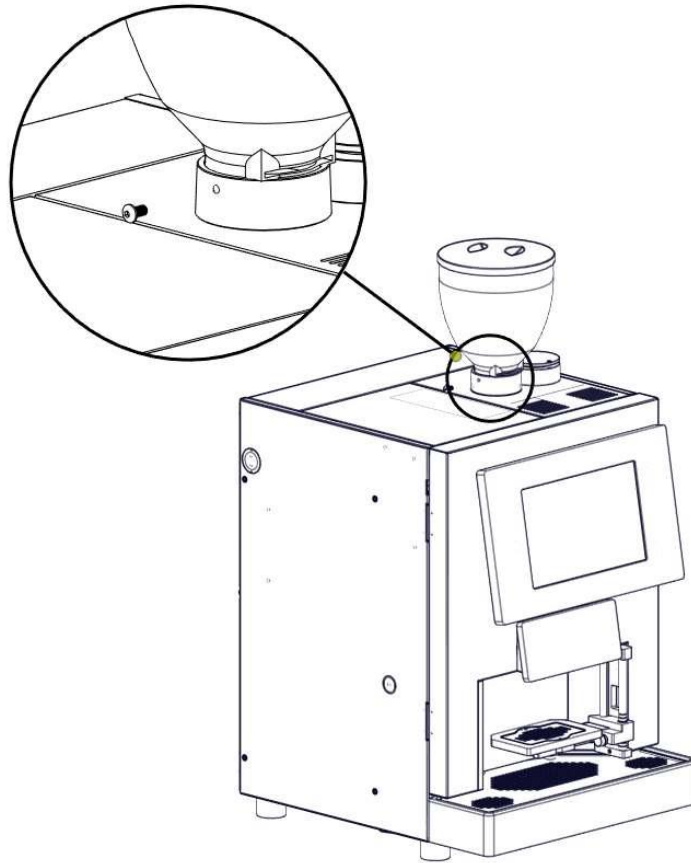
Along with the HLF 2700 package, is provided also a second box containing the external coffee beans hopper.



Extract the coffee hopper/s from the box and install it in the neck on the top lid of the HLF 2700 coffee machine, turn it clockwise until the micro fits into the hole (see image below).

Extract the drip tray and insert it at the base of the machine.





NOTE

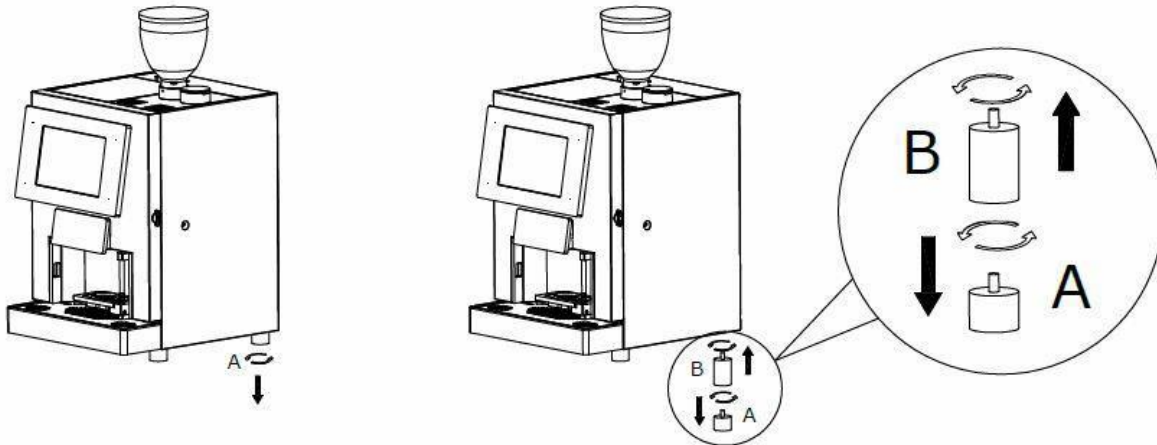
Only for installations in the United States of America

To meet the cleaning requirements in the United States, it is mandatory to install the raising-machine kit.

Remove the four feet from the raising-machine kit accessory box, previously ordered.

**Unscrew all the feet (A) supporting the coffee machine;
screw the foot (B) (accessory) to foot (A);
fix the support under the machine and repeat for the other 3 supports.**

(See image below)



CAUTION

The packing material must not be left accessible to others, as it is a potential source of danger. For the disposal contact qualified companies.

Now the unit is free and ready to be installed on a base, table or cabinet strong enough to hold 95 Kg.

3.1.3 Checking the internal of the unit

Open the front door and check if any damage is visible. If you see damage, call for technical service.



WARNING

Don't try to operate the HLF 2700 coffee maker in case of presence of internal damages. Even if the damages are minimal, it's strongly recommended to leave the unit disconnected from the power supply and call the technical service.

3.2 Procedure

3.2.1 Minimum Requirements

The machine must only be installed using the supplied connection cables and hoses. Any existing cables or hoses must not be reused. The manufacturer is not liable for any damages arising from improper installation.

The use of incorrect connections voids the warranty!

Water Requirements: flow rate of at least 3 L/min.

For example:

Fill a container of 3 Liter capacious and make sure the time it takes to be filled in is 60 seconds or less (or 1 Liter in 20 seconds or less).

The maximum pressure of the water line has to be between 1 to 10 bar.

Electric Requirements: Be sure to choose a wall plug with enough power to supply the unit and that it's grounded in observance with current safety norms.

Refer to paragraph 1.3.3 of this Instruction Manual to select the correct wall plug.

3.2.2 Water connection

On the back of the HLF 2700 is located the inlet water valve that permits the connection of the machine to the direct water line.

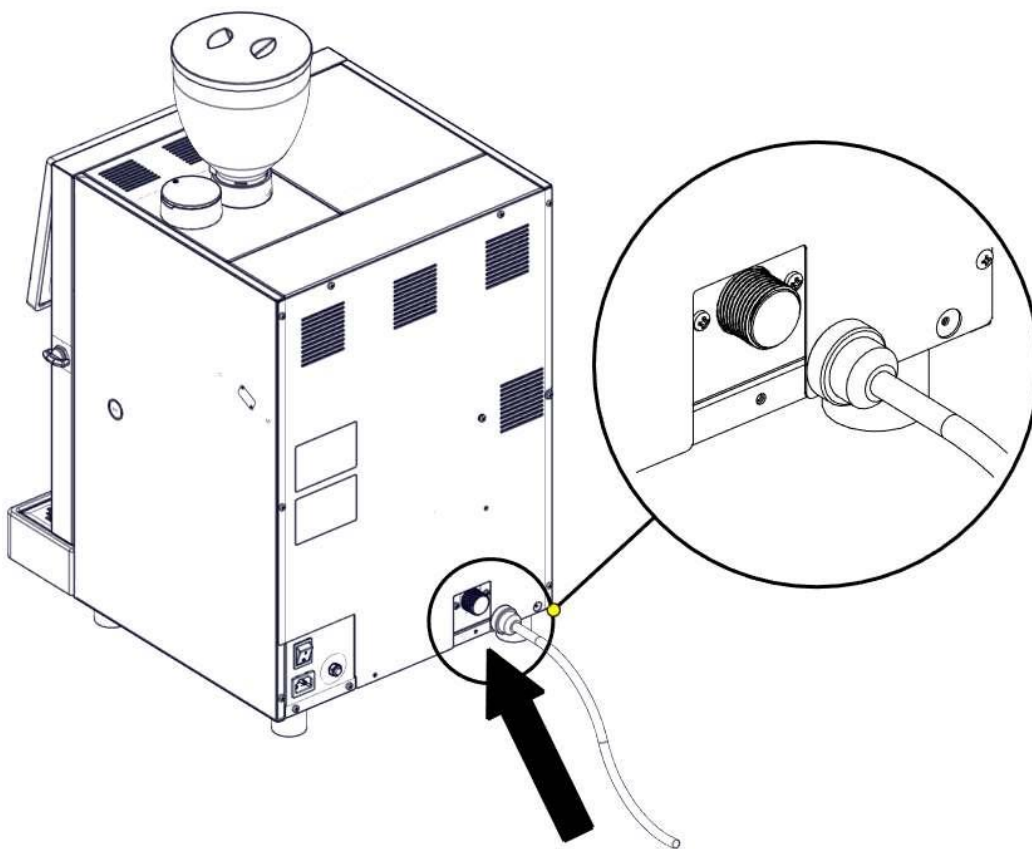


CAUTION

The water connection must only be connected to drinking water.

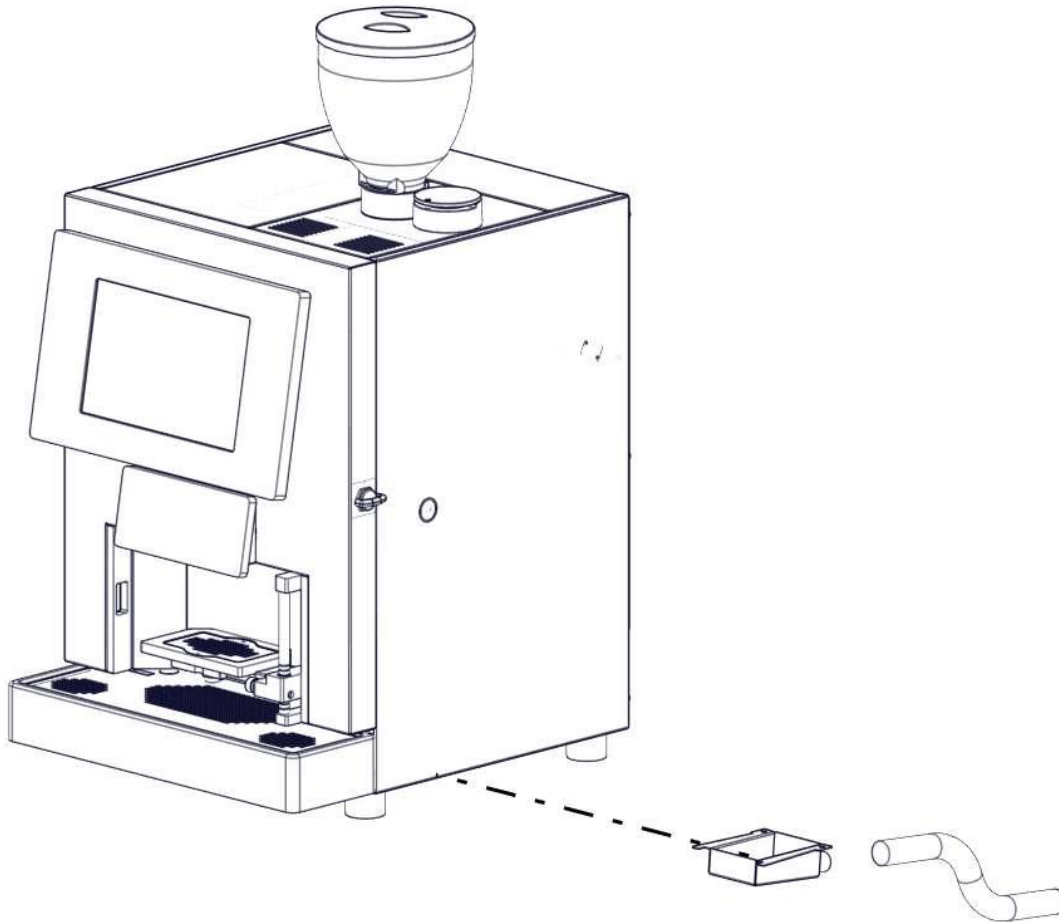
The maximum pressure of the water line has to be between 1 to 10 bar in order to prevent damages to the inlet water valve. A lower pressure will not be sufficient to open the inlet water valve, meanwhile a higher pressure will break the valve causing in this way a water flood.

Refer to the national laws of your country for the connection to the water line.
To connect the water line to the HLF 2700, is necessary to use a tube with a female screw of $\frac{3}{4}$ of inch at each end of it, as showed on the following picture.

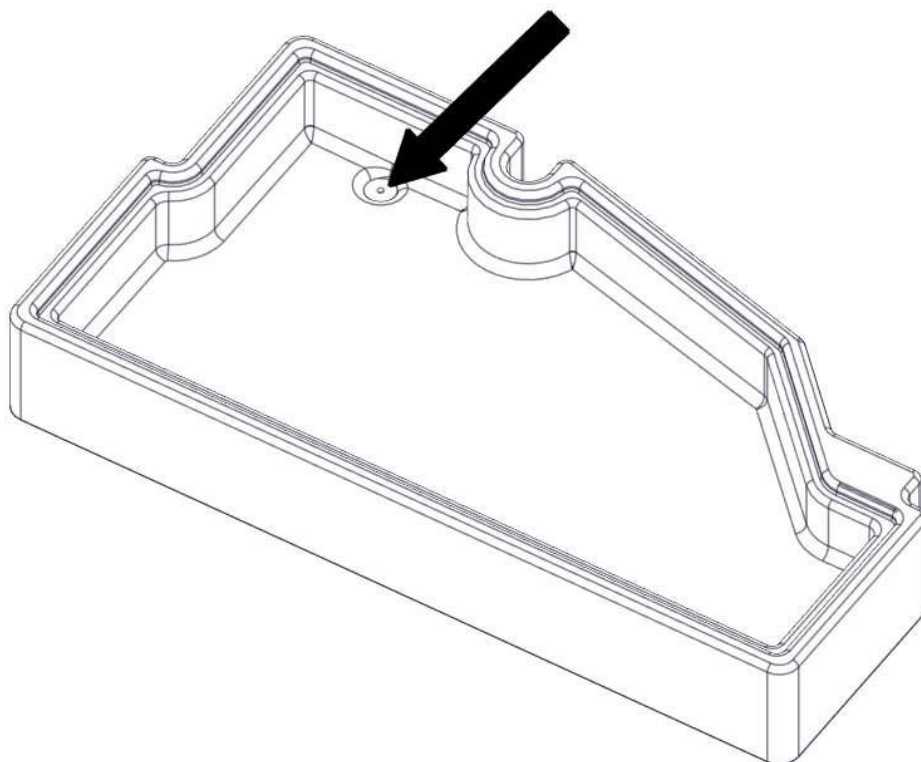


3.2.2.1 How to connect the drainage tube

Connect the drain pipe to the drip tray which is placed under the machine (see image below).



Then make a hole (diameter 7 mm) in the plastic drip tray (see image below). In this way the liquid collected, will be discharged externally through the tube that was previously connected (previous step).

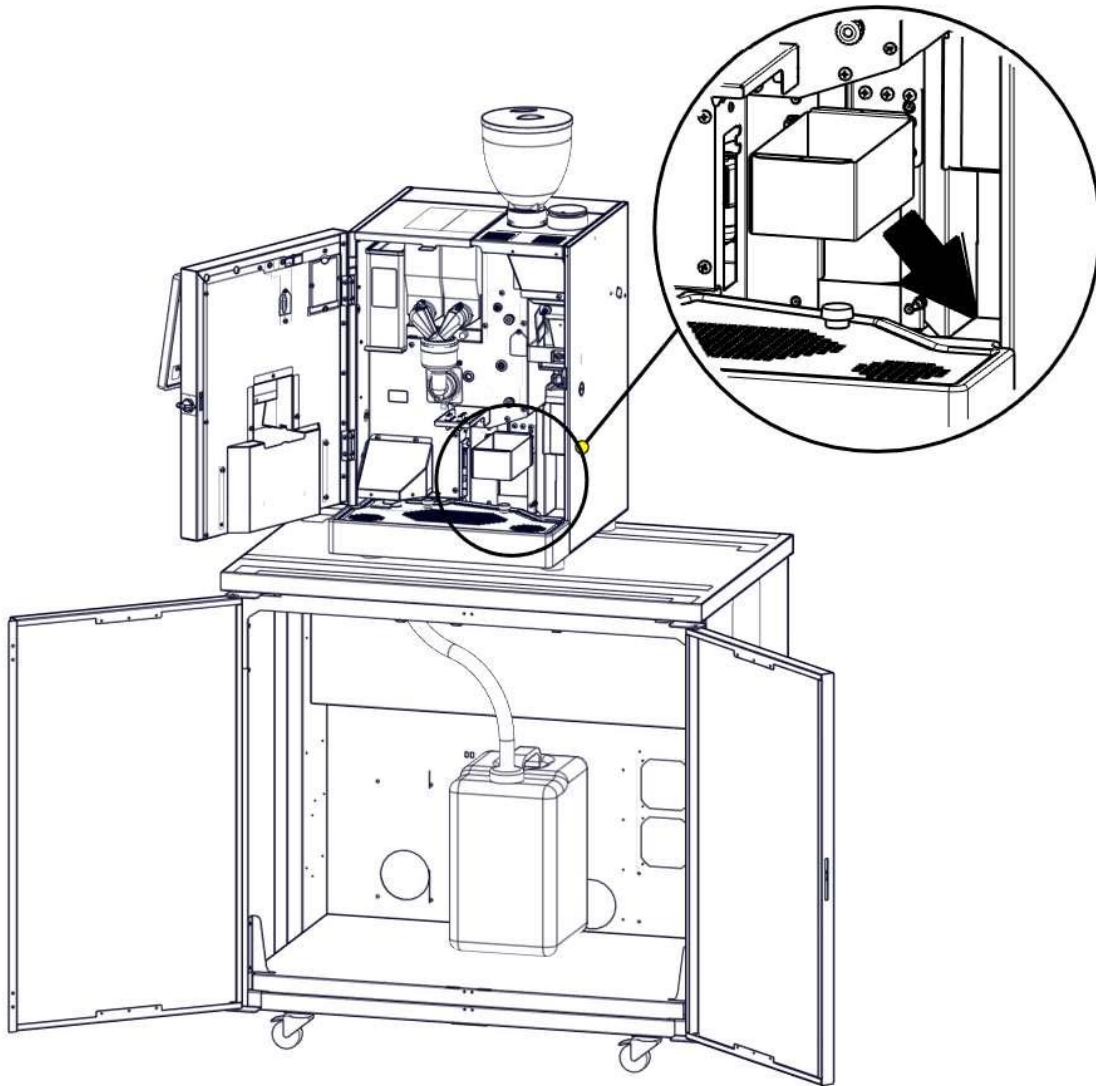
**WARNING**

Refer to planning diagram for respective distances.

3.2.2.2 External waste drawer

It is possible to download the coffee grounds directly into a larger drawer, external to the machine.

- Insert the grounds discharge channel into the compartment located underneath the coffee group (see image below).

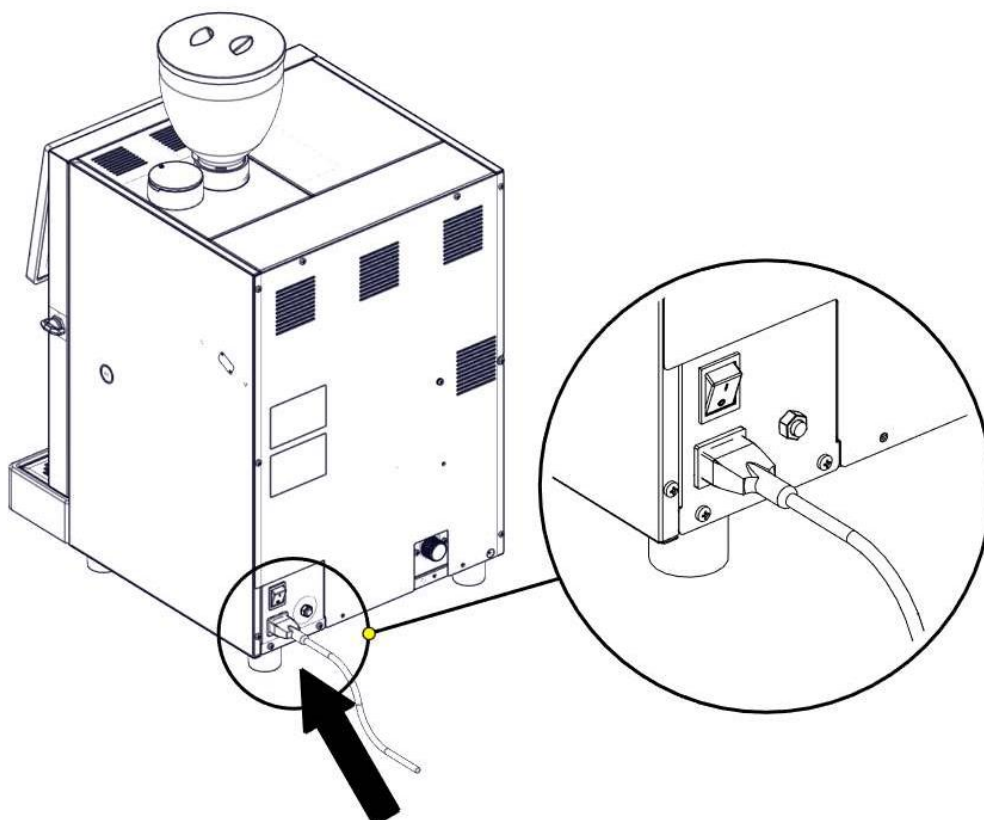


WARNING

Refer to planning diagram for the hole positioning.

3.2.3 Electric connection

Insert the power cord on the back of the machine near to the main power switch.



WARNING

INSERT THE POWER CORD INSIDE A CORRECT WALL PLUG, WITHOUT USING ANY OTHER ELECTRIC ADAPTER.

THE USE OF EXTENSION CORDS, ADAPTERS AND/OR MULTIPLE PLUGS IS STRONGLY FORBIDDEN!

3.3 Start up and operation mode

3.3.1 Loading products

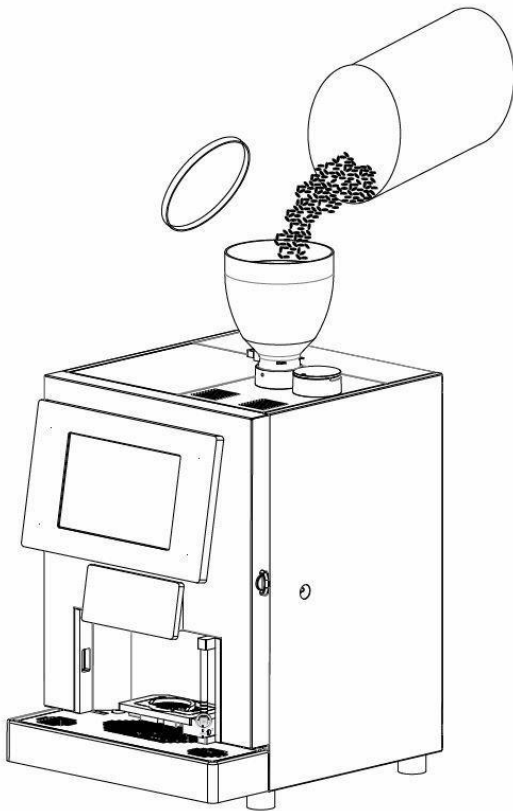


CAUTION

Refer to chapter 5.5 Re-Fill Ingredients for software instructions concerning the ingredients re-fill.

3.3.1.1 Coffee beans

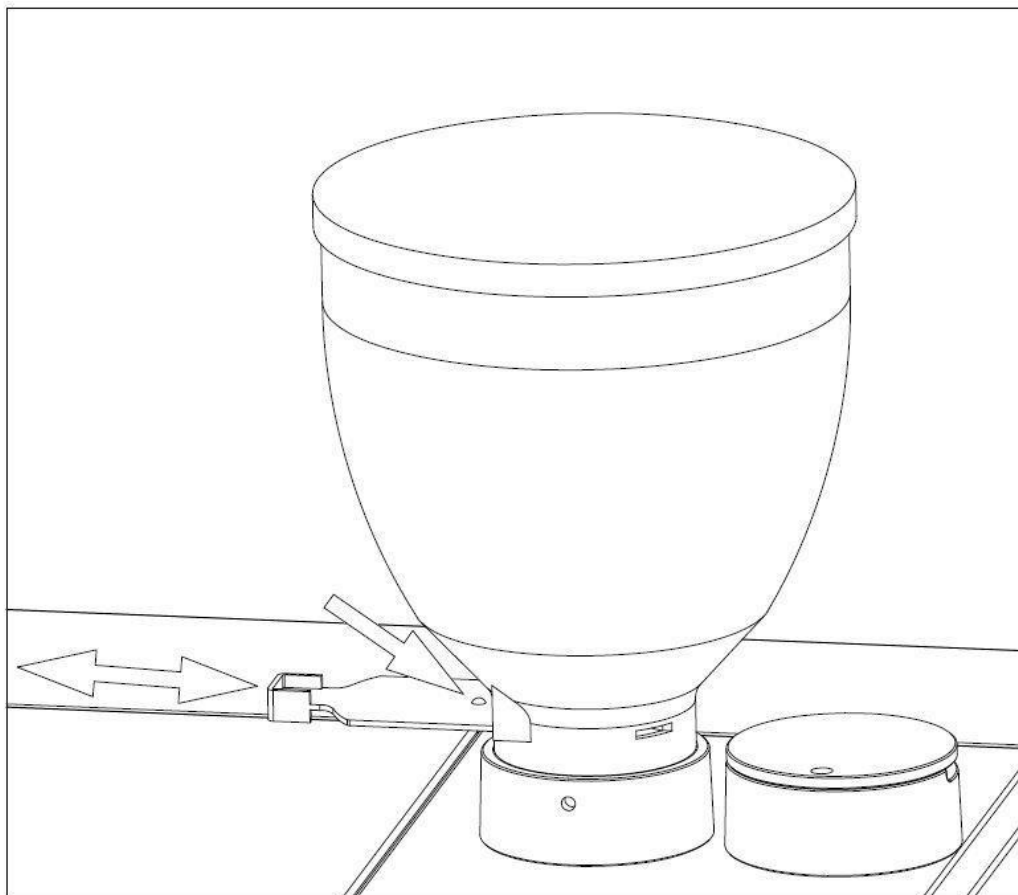
Fill up the coffee beans hopper/s with fresh coffee beans.



Remember to open the beans stopper located at the bottom of the coffee beans hopper. (see image A below).

**NOTE**

At first installation, strong pull the stopper so that the pin is completely pulled out (see image B below)

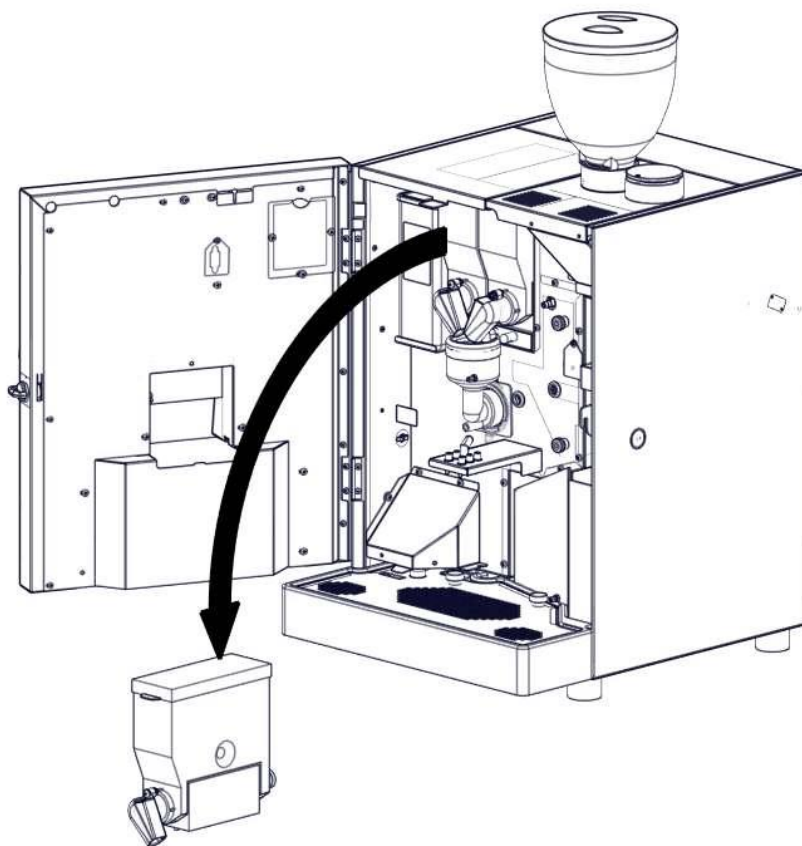
**NOTE**

It's recommended to use a mix of coffee beans for automatic coffee makers, in order to avoid a rapid consumption of the grinder's blades and also to get the best performance for the HLF 2700

For information refer to a coffee beans dealer.

3.3.1.2 Powders

Take off the top lid and open the front door, take out from the second box the soluble powder containers to continue the filling process of the products.



NOTE

It's recommended to do always this operation taking the powder canisters out of the machine, in order to keep the interior of the machine clean from dust.

Place back each container in its original position.

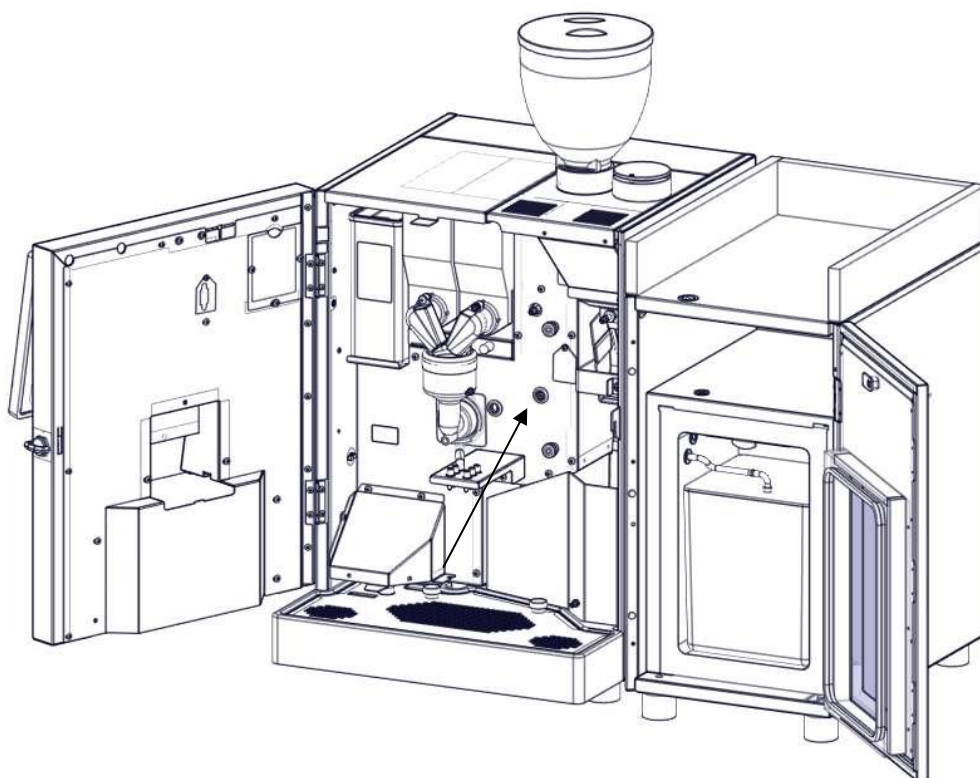
3.3.1.3 Milk



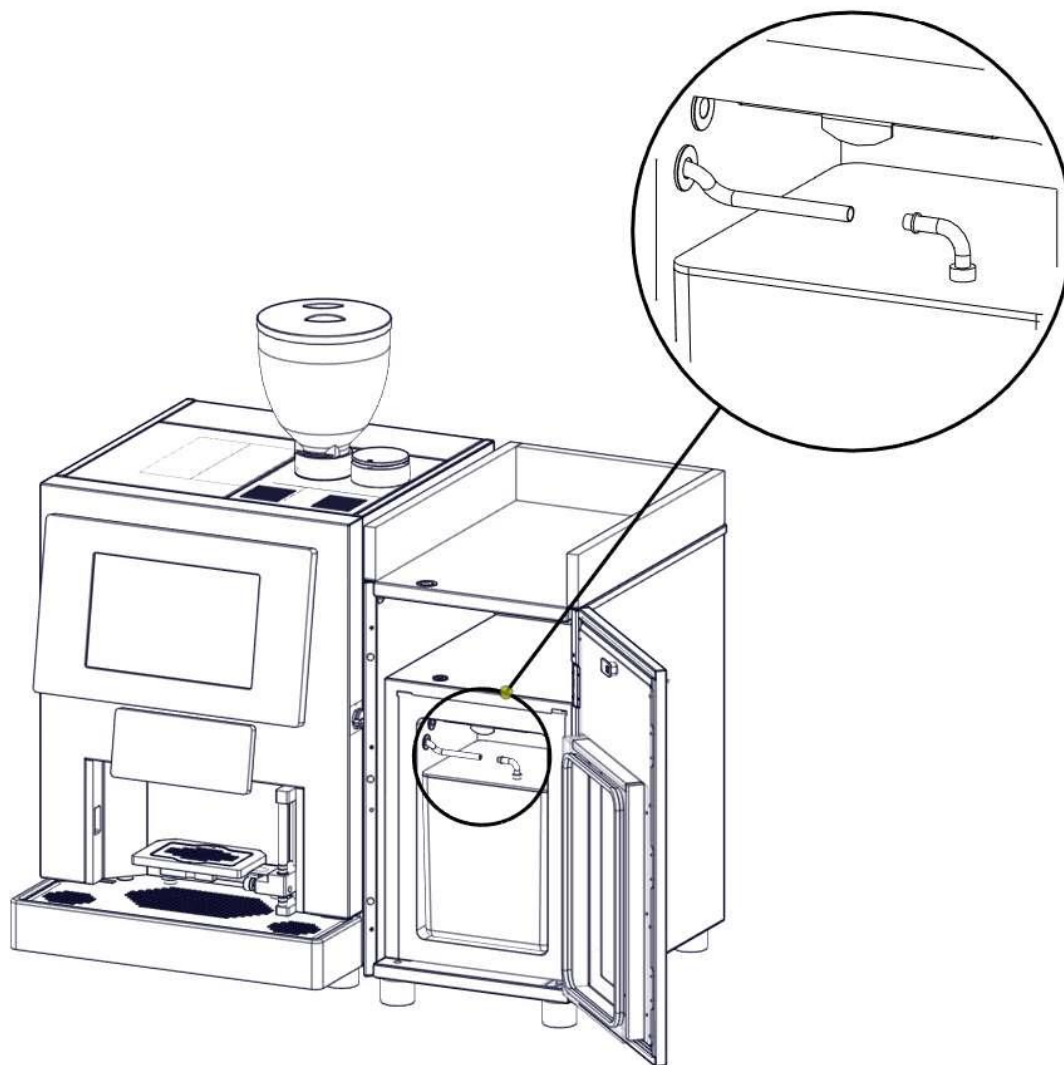
WARNING

Refer to paragraph 2.2.1.3 for the proper use of the milk with HLF 2700 machine.

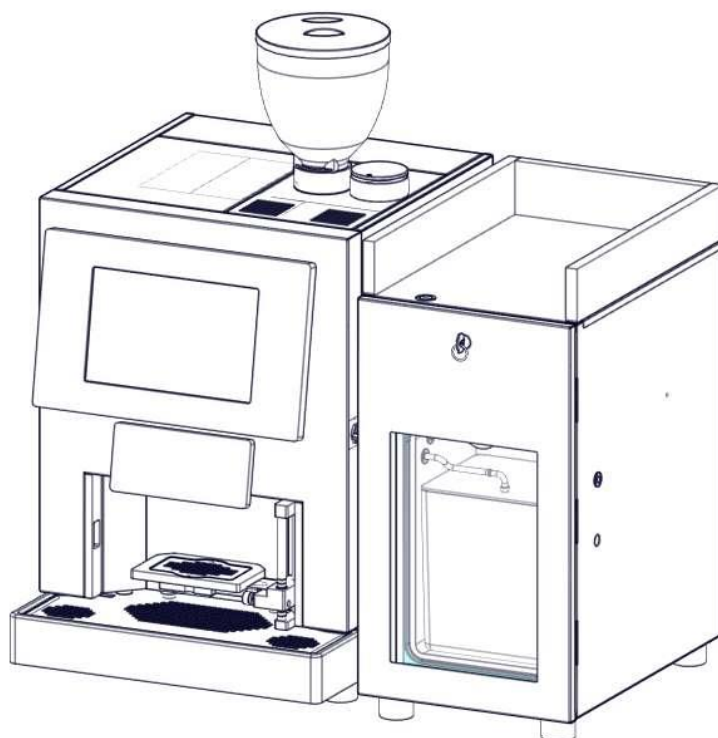
Open the door of the machine and take out the clear pipe from the inside.
Open the fridge door and pass the pipe through the milk tube hole on the side of the machine and then through the hole on the side of the fridge



Connect the pipe to the black plug of the milk container as indicated on the image below



Then close the door of the machine and of the fridge.



4

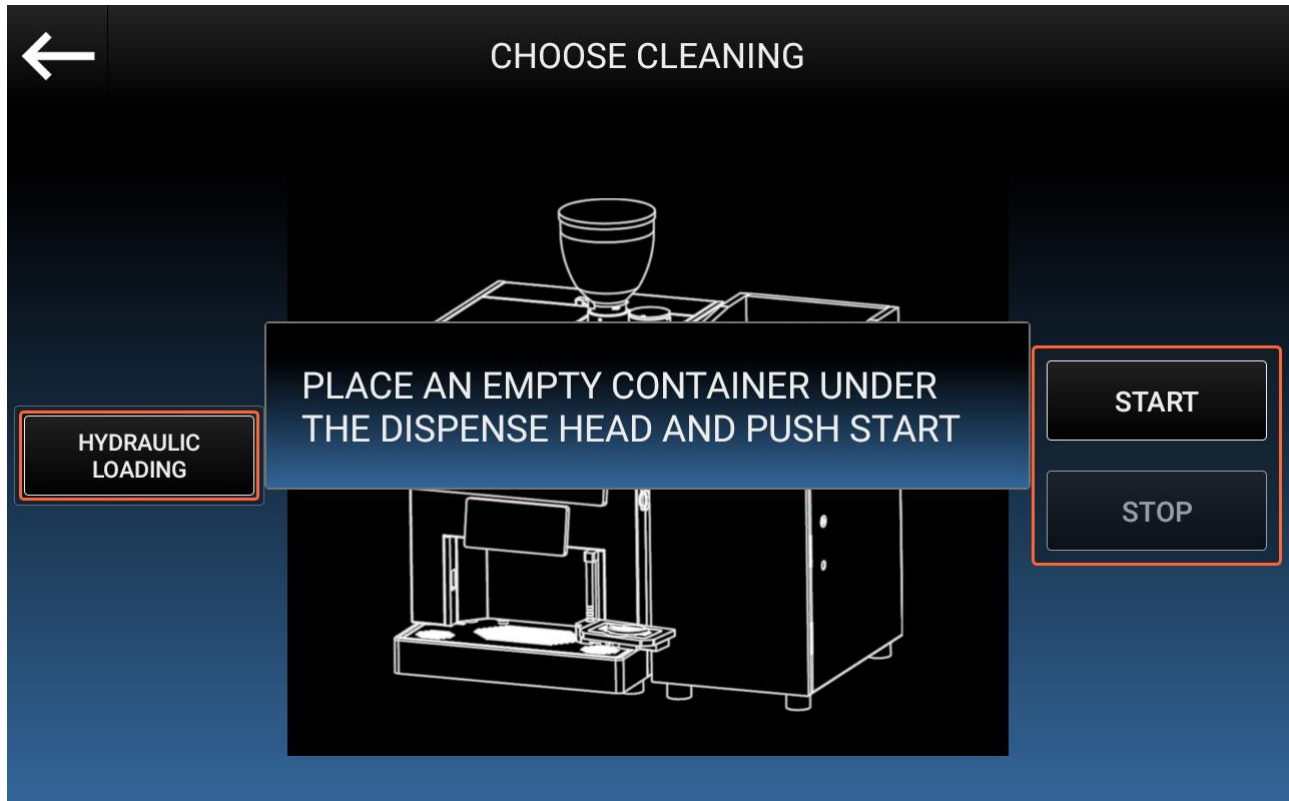
**CAUTION**

When pouring milk into the container, pay attention to hygiene to ensure that no contaminated milk enters the system. The milk container must be clean and dry.

3.3.2 Turning ON the unit

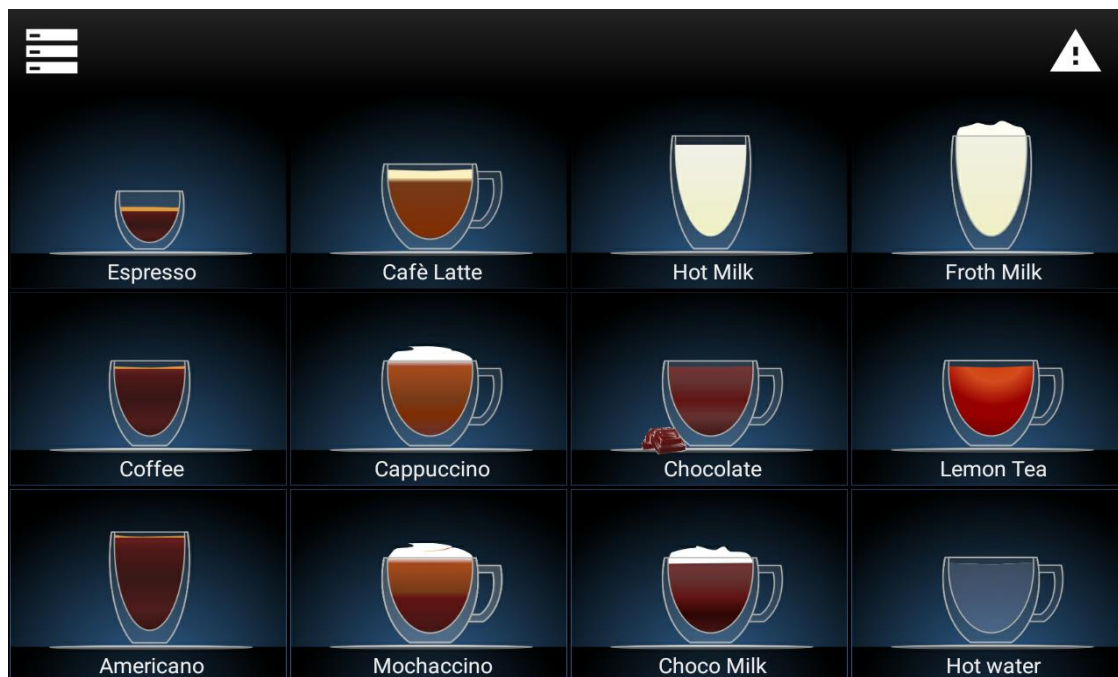
The following screen shot will appear on the touch screen.

It means that an Hydraulic Loading has to be run in order to load water into all the hydraulic circuits.

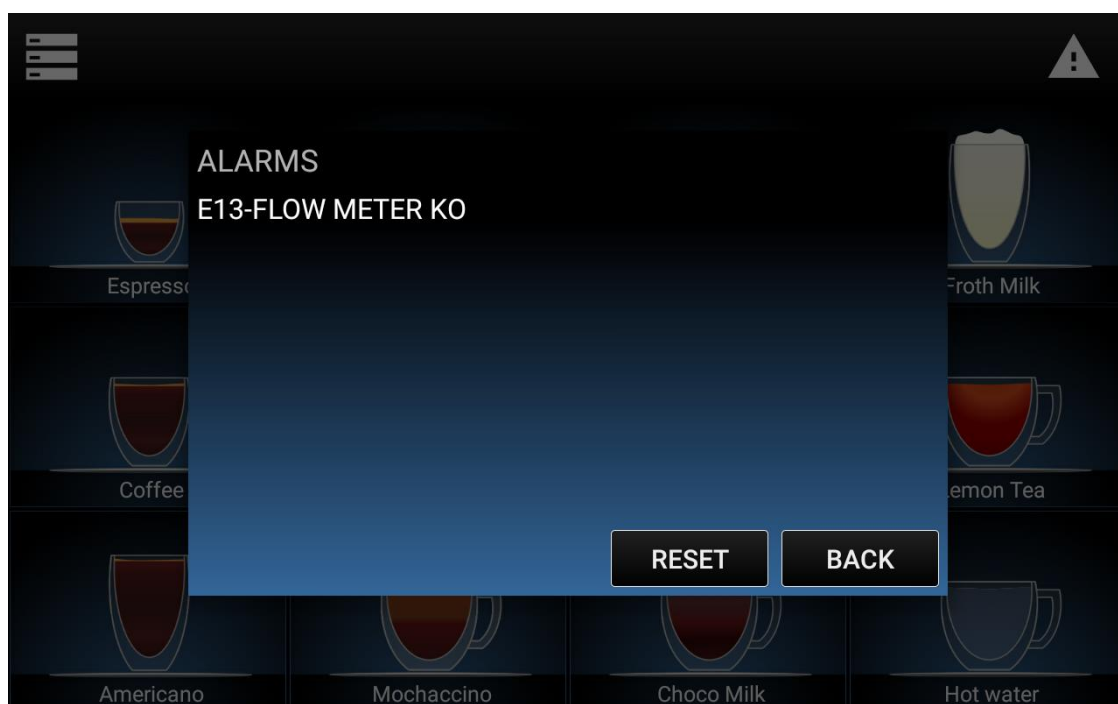


Push on the **Start** button to start the Hydraulic Loading procedure. This operation will take about 5 minutes.

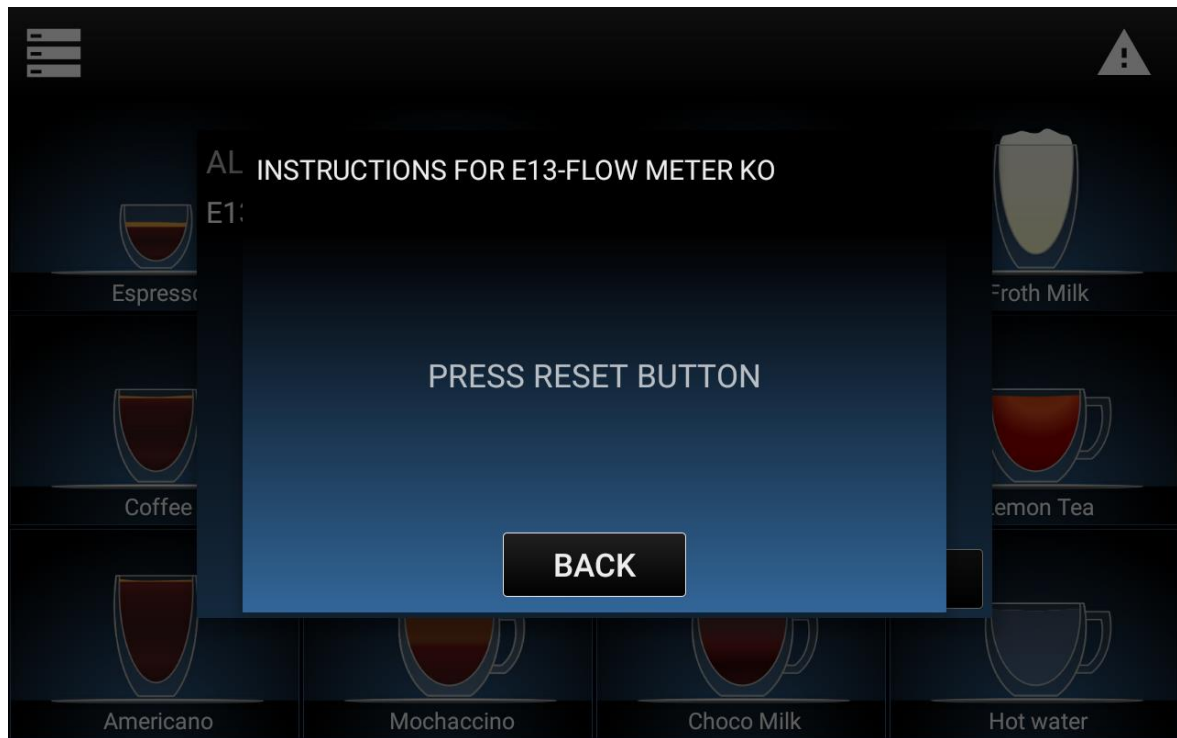
If the below screen shot will appear, push on the error icon (top right corner).



The following screen shot will appear.



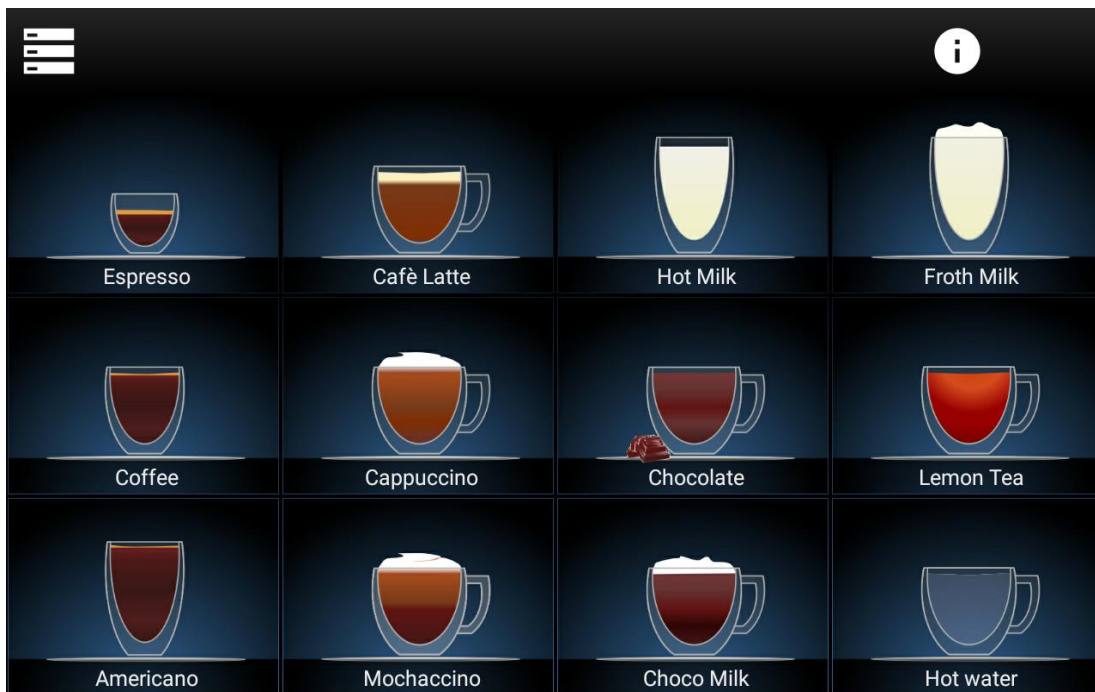
Push on the **FLOW METER KO** alarm and the following screen shot will appear. This happened because at the first initial water fill in of the machine, the water doesn't arrive directly to the boiler.



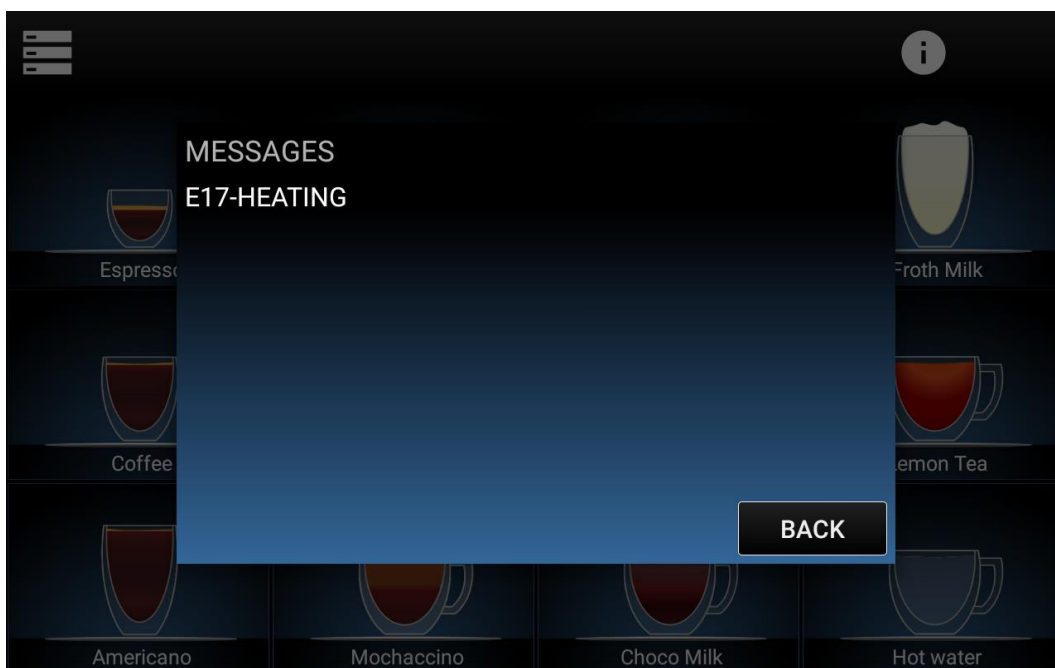
After the press of the RESET button the machine will load the boiler, and the Hydraulic Loading screen will be shown again.

3.3.3 Initial heating

Once the cleaning cycle is finished, the message **Heating** will appear on the notification icon (top right corner).



The internal boiler is heating the water and this process is going to take around 5 minutes. When the notification icon disappears, the machine is ready to work.



3.3.4 Adjusting the Coffee Grinder

At this point of the initial startup, the HLF 2700 coffee maker is ready to dispense the first beverage and the factory recommend to start making a coffee in order to adjust the grinder blades.



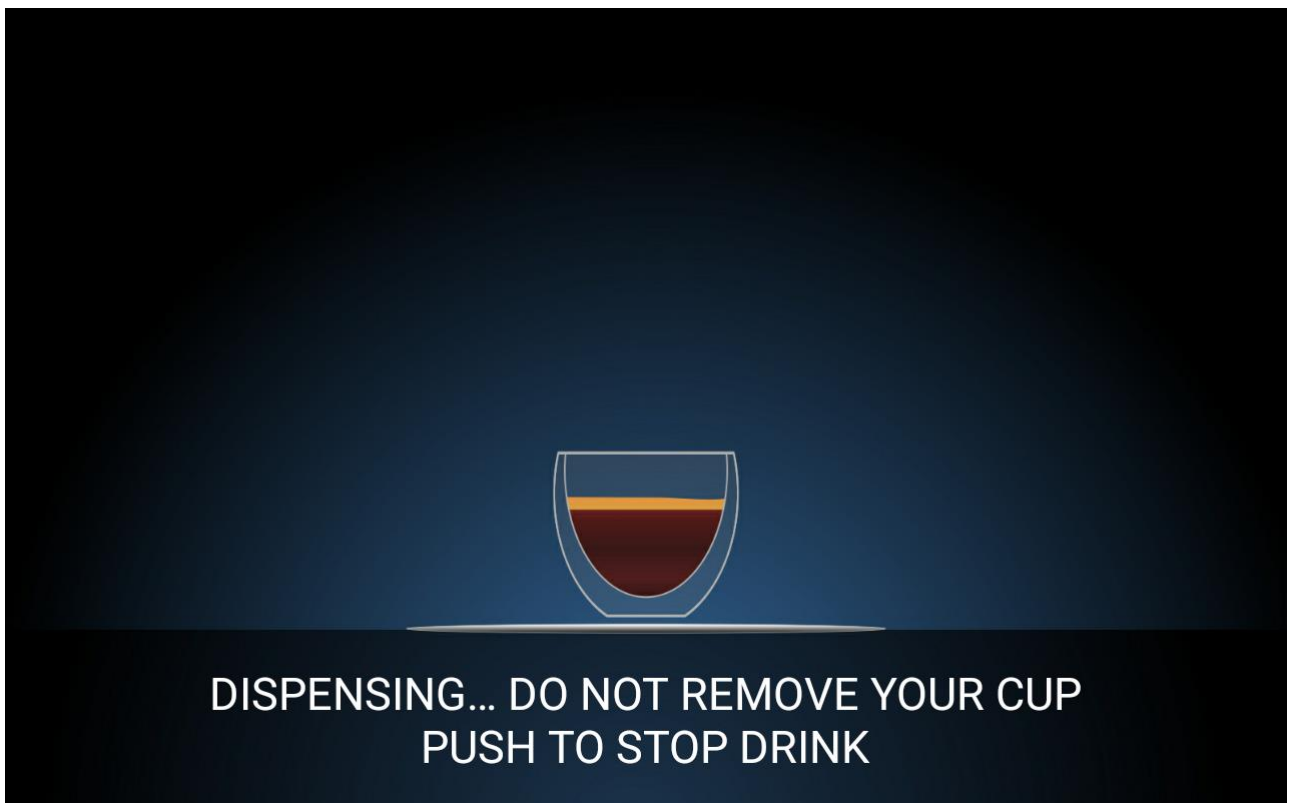
NOTE

The HLF 2700 coffee maker arrives with the blades of the coffee grinder, almost open in order to accept every kind of coffee bean used by the operator.

The reason of this factory action is to avoid any damage to the grinder motor, because in presence of coffee beans too oily and with the blades position almost close, the grinder motor can stop working.

To avoid any problem, start making a coffee with the blades almost open and check that all the process works without troubles.

Push the **Coffee** key to start the coffee drink process.



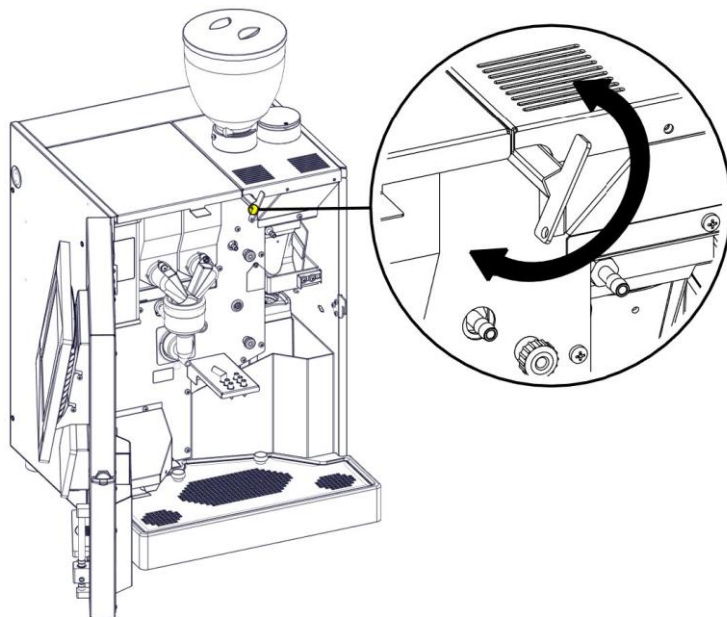
The grinder will start grinding the coffee beans, and after 7 - 8 seconds the coffee group will move from the stand-by position to the brewing position, and the water pump will start to run.

At this point is important to watch the speed of the coffee coming out from the drink nozzle into the cup, wondering if it's coming out too fast or too slow (almost dripping).

If the speed of the coffee is fast and at the end of the brewing there is no brown coffee cream on top of cup, it means that the grinder blades are too open and they need to be closed.

When the drink is finished the keyboard will be available again. To adjust the blades, follow the instructions below.

3.3.5 How to adjust the Grinder Blades



3.3.5.1 Closing the grinder blades

In order to close the grinder blades, turn right the lever of the desired grinder.

3.3.5.2 Opening the grinder blades

In order to open the grinder blades, turn left the lever of the desired grinder.

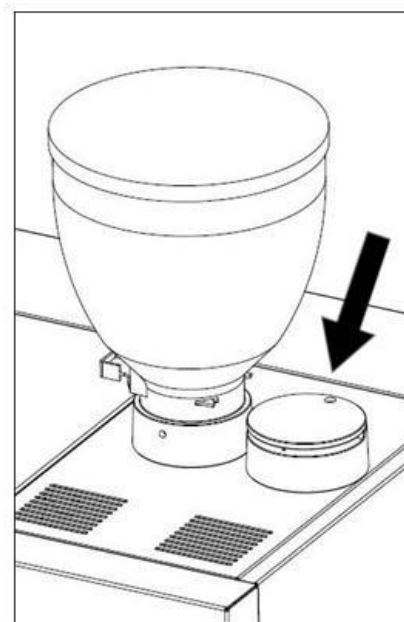
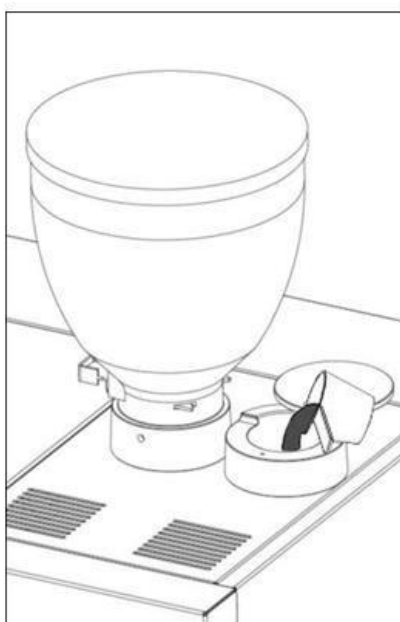
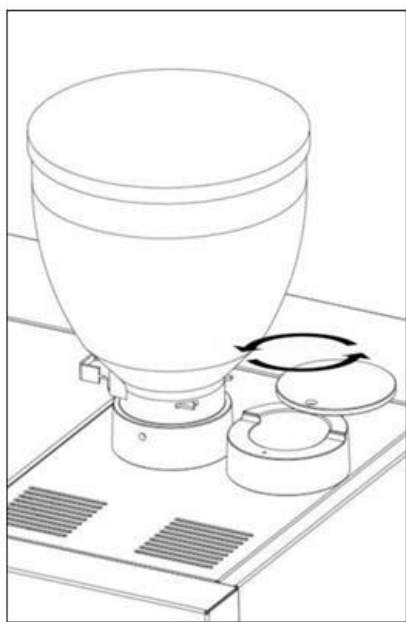
3.3.5.3 How to use pre-ground coffee

The HLF 2700 machine could make coffee not only with beans but also with pre-ground coffee.

To use the pre-ground coffee, you have to go inside the recipe of the drink and set to 0 the grinder time, with a set amount of water for coffee.

When you choose the drink set to use the pre-ground coffee, follow these instructions:

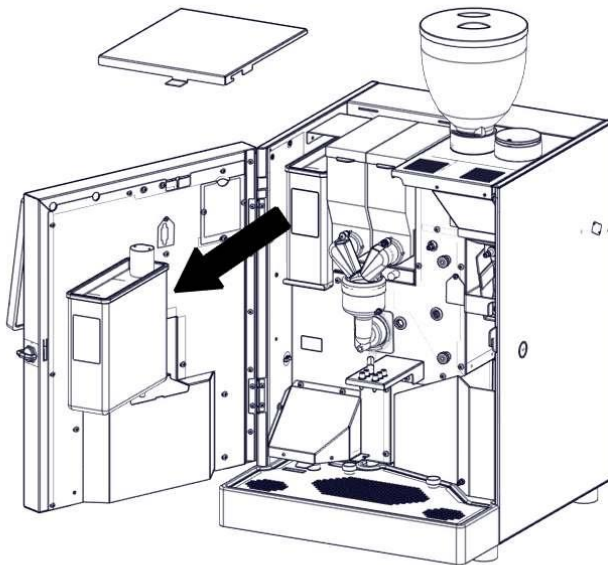
- Open the pre-ground coffee chute lid;
- Put the pre-ground coffee inside the chute;
- Close the pre-ground coffee chute lid;
- Push start.



The coffee will be made with your pre-ground coffee.

3.3.6 How to refill detergent tank

Fill up the detergent tank with HLF blue alkaline detergent, so open the door and remove the top lid. Extract the tank, and pull it to towards yourself.

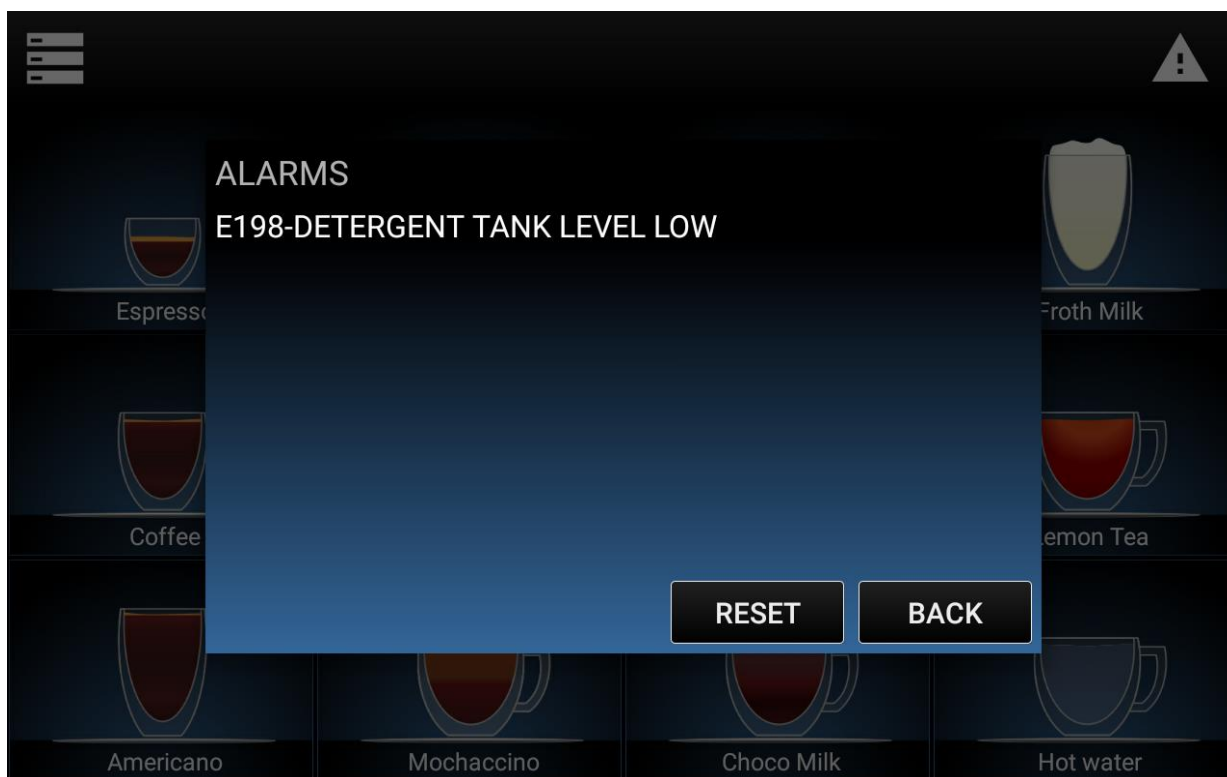


From this moment it is possible to take out the tank and refill it.



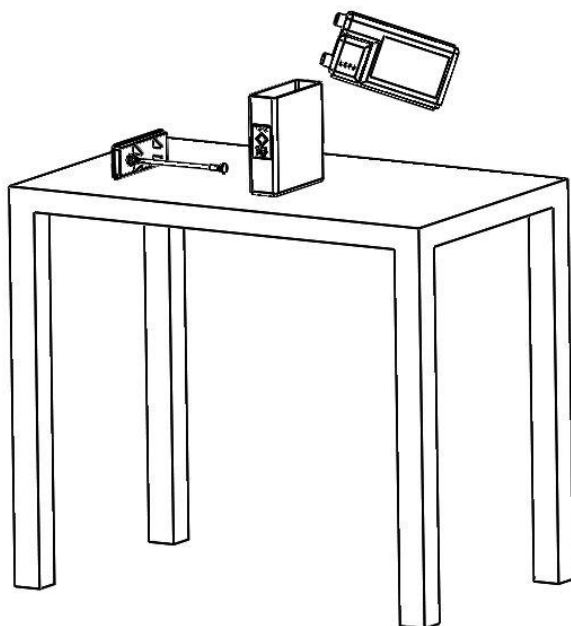
IT IS IMPORTANT TO REMOVE THE TANK FROM ITS COMPARTMENT TO REFILL IT

When the detergent tank needs to be refilled, you will see this alarm in the main screen:



If the alarm is still showing, press on the **Reset** button to show the detergent tank refill request.

We recommended to use a funnel to refill the tank, in this way the detergent can't goes out.



When the tank is empty, reposition it and close the door of 2700.

4 Cleaning guide

4.1 Cleaning warnings



CAUTION

- Only use non-corrosive, non-abrasive household cleaners.
- Only use non-abrasive cloths.
- Do not use any of the normal (rapid) decalcifying agents.
- **Only use HLF tabs and milk cleaning agent**
- **Do not put any part into the dishwasher**

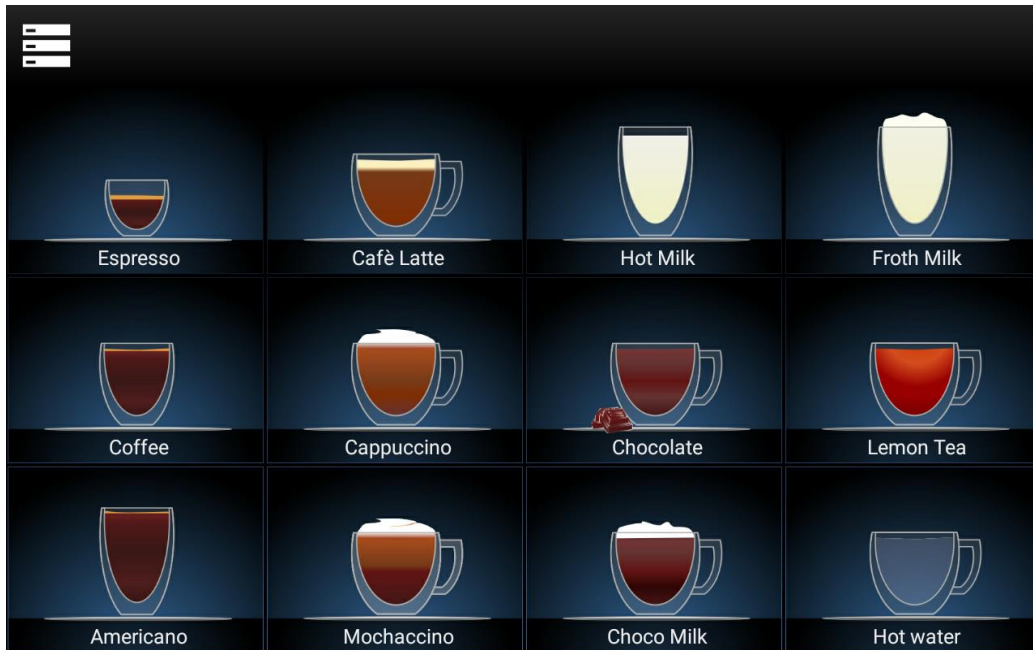
4.2 Cleaning table

Follow the table below to choose the appropriate type of cleaning depending on the frequency:

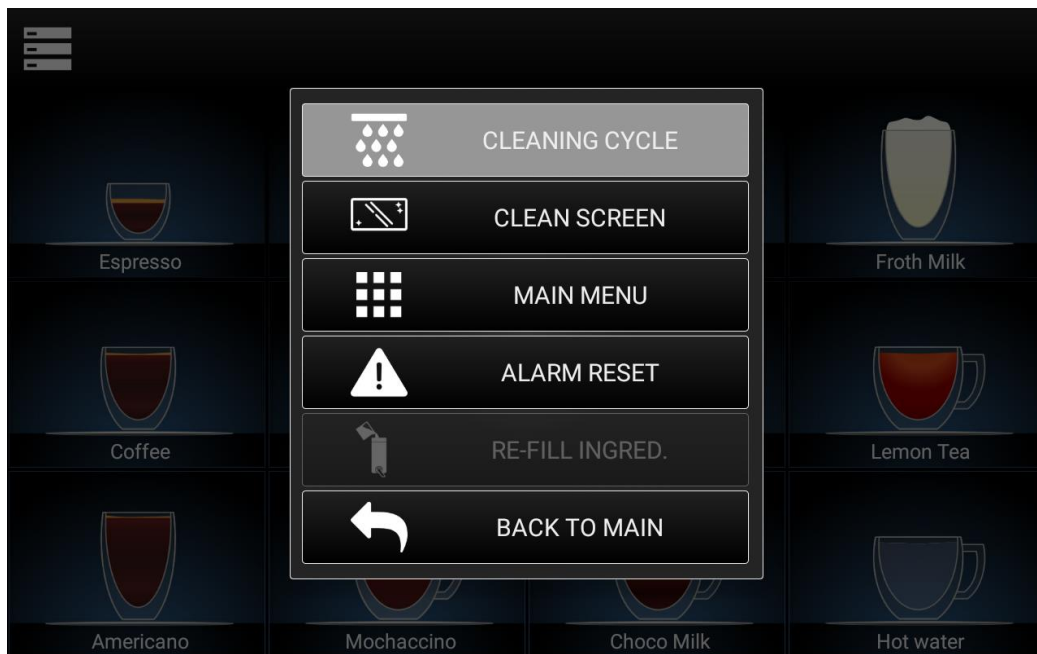
FREQUENCY	TYPE OF CLEANING	INSTRUCTION REFERENCE
DAILY	- Automatic Daily Cleaning	Par. 4.4.1 / 4.5.1
	- Coffee Group's Chute Cleaning	Par. 4.8
WEEKLY	- Alternative Daily Cleaning Manual	Par. 4.4.2.
	- Powder Canisters and Mixing Bowls Cleaning	Par. 4.7
MONTHLY	- Automatic Coffee Group Cleaning	Par. 4.6

4.3 Accessing the Automatic Cleaning Cycles

Push the top left corner.



Push **Cleaning Cycle** button.



Select the desired cleaning routine



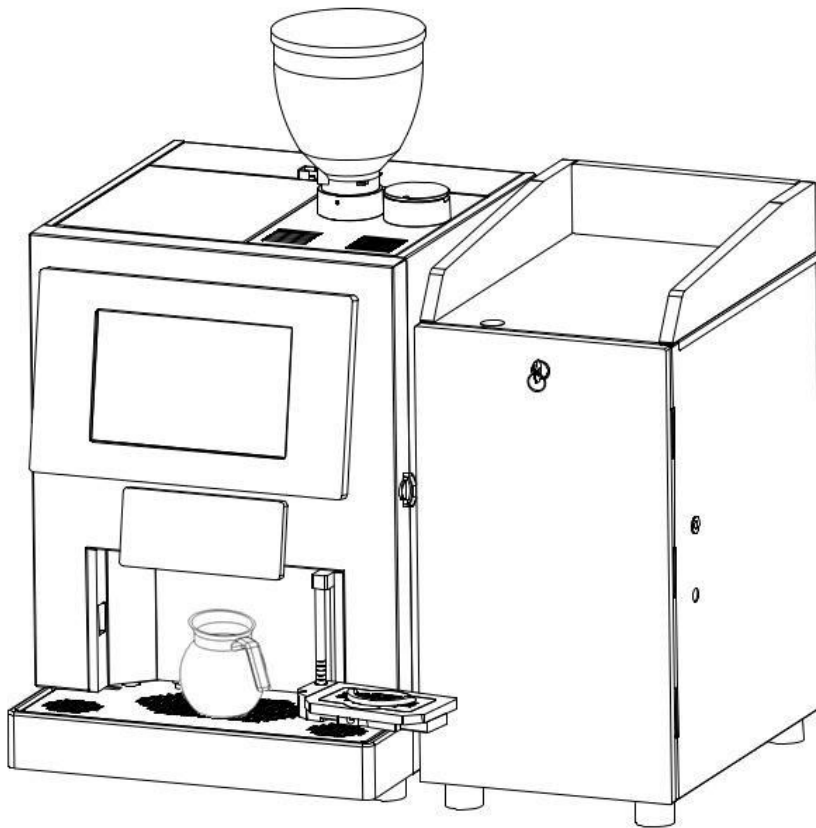
4.4 FRESH MILK

4.4.1 Automatic Daily Cleaning

This cleaning cycle is to clean the fresh milk circuit and mixing bowls.

Access the cleaning cycles as described in chapter 4.3

- Push **Daily Cleaning**
- Push **Auto**
- Place an empty jug under the dispense head. The container must be at least 2 Liter capacious.



- Push **Start** when ready, the cleaning liquid will be discharged directly in the jug. The cleaning cycle will take about 15 minutes.

Run an additional Whipper Cleaning if a further cleaning seems to be necessary. (Par. 4.4.3 below).



CAUTION

Use HLF milk cleaning detergent ONLY. Otherwise, warranty will not be valid anymore.

It is recommended to use HLF Blue Alkaline Detergent.

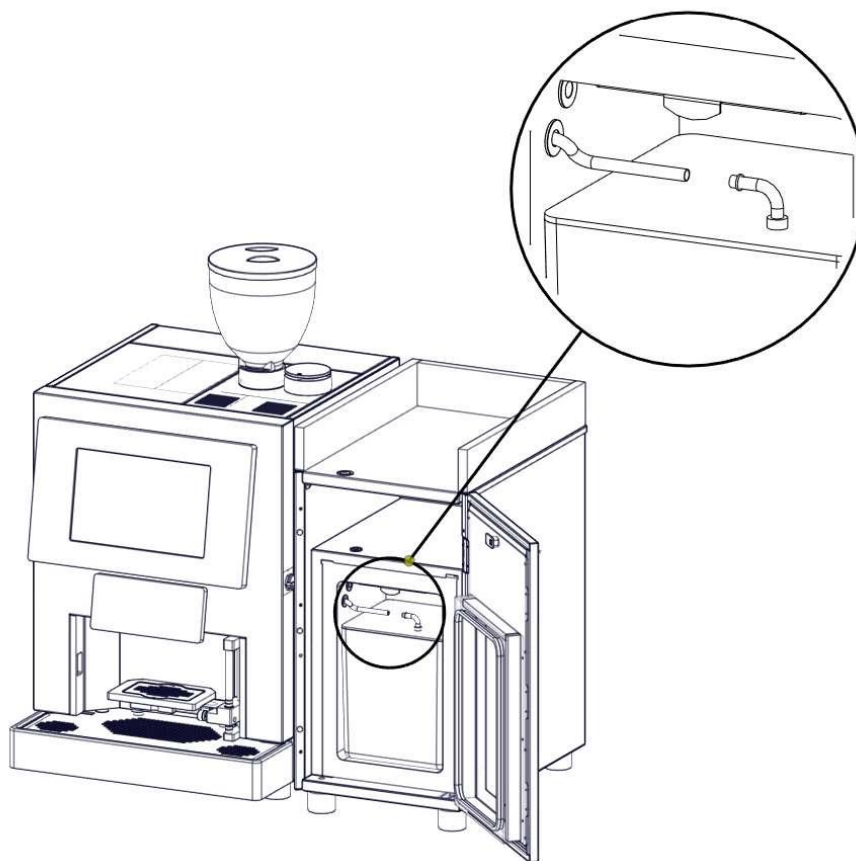
In order to maintain the maximum hygiene, it is recommended to replace the entire transparent milk pipe every two months.

4.4.2 Manual Daily Cleaning

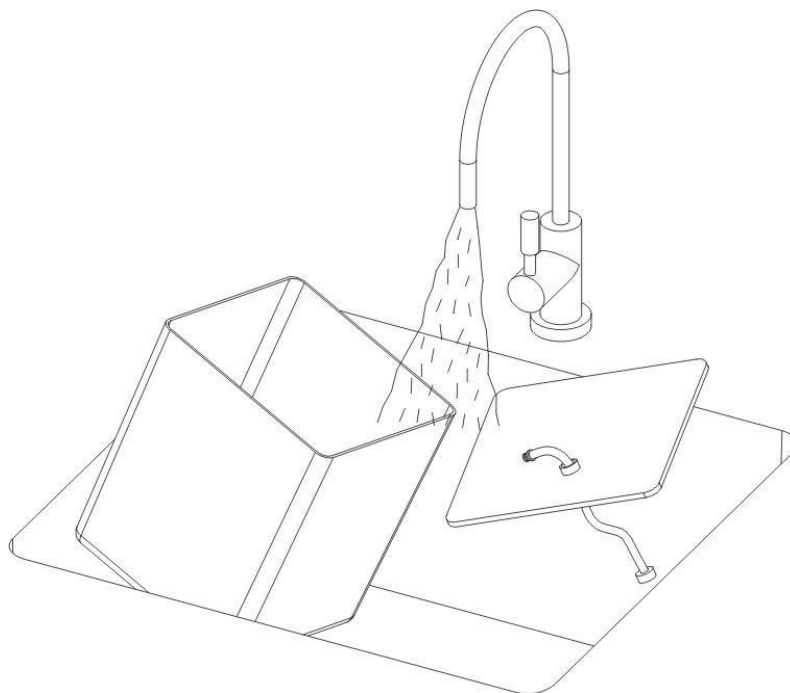
This cleaning cycle is to clean the fresh milk circuit and mixing bowls.

Access the cleaning cycles as described in chapter 4.3

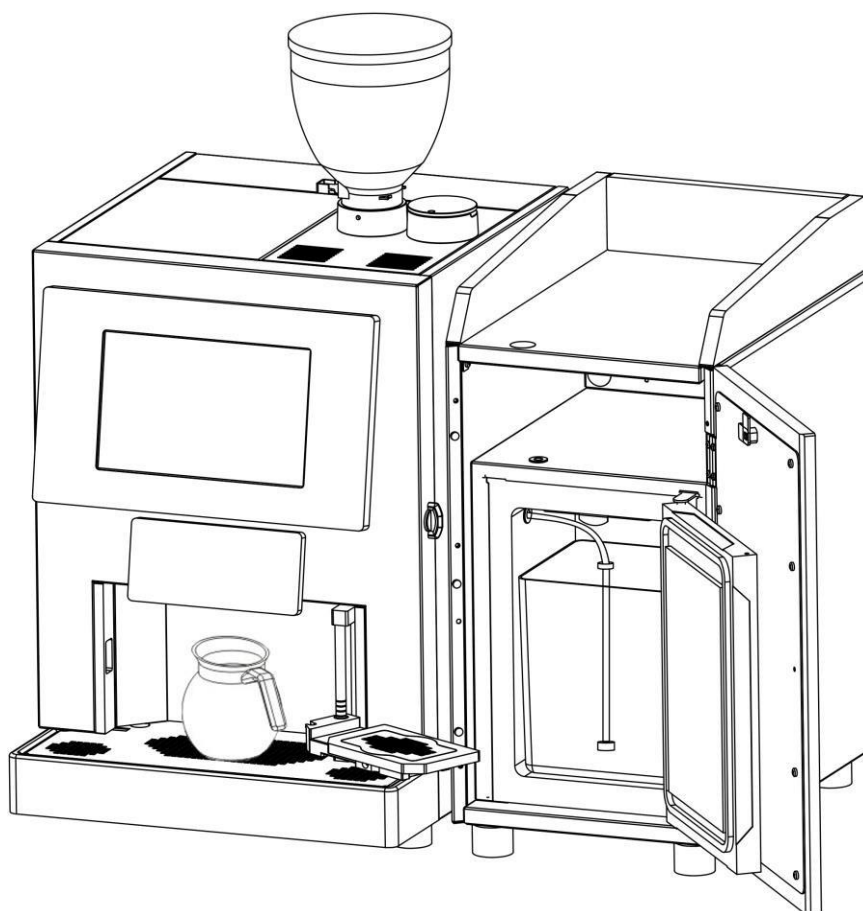
- Push **Daily Cleaning**
- Push **Manual**
- Open the fridge and unplug the milk pipes from the milk containers lid.



- Remove the milk container. Empty and rinse the container, the milk pipes and the filters.



- Pour the HLF Milk Cleaning agent quantity displayed on the touch screen into the milk container.
- Put the milk container into the fridge and connect the milk pipes to the milk containers lid. Close the door.
- Place an empty jug under the dispense head. The container must be at least 2 Liter capacious.



- Push **Start** when ready, the cleaning liquid will be discharged directly in the jug. The cleaning cycle will keep about 15 minutes.
- Once finished the cleaning cycle, open the fridge, unplug the milk pipes from the milk container lid.
- Remove the milk container. Empty and rinse the container, the milk pipes and the filters.
- Put the milk containers into the fridge and connect the milk pipes to the milk containers. Close the door.

Run an additional Whipper Cleaning if a further cleaning seems to be necessary. (Par. 4.4.3 below).



CAUTION

Use HLF milk cleaning detergent ONLY. Otherwise warranty will not be valid anymore.

It is recommended to use HLF Red Acid Detergent.

In order to maintain the maximum hygiene, it is recommended to replace the entire transparent milk pipe every two months.

4.4.3 Whipper Cleaning

This cleaning cycle is to clean the mixing bowls.

Access the cleaning cycles as described in chapter 4.3

- Push **Whipper Cleaning**
- Place an empty jug under the dispense head. The container must be at least 2 Liter capacious.
- Push **Start** when ready, the cleaning liquid will be discharged directly in the jug.

4.5 POWDER MILK

4.5.1 Daily Cleaning

This cleaning cycle is to clean the mixing bowls.

Access the cleaning cycles as described in chapter 4.3

- Push **Daily Cleaning**
- Place an empty jug under the dispense head. The container must be at least 2 Liter capacious.
- Push **Start** when ready, the cleaning liquid will be discharged directly in the jug.

4.6 Coffee Group Cleaning

This cleaning cycle is to clean the brewer from any residue of coffee grease under the filters.

Access the cleaning cycles as described in chapter 4.3

- Push **Coffee Group Cleaning**.
- Enter the Coffee Group Cleaning password if required and press **OK**.
Default password is 123456

Follow instructions on the Touch Screen.



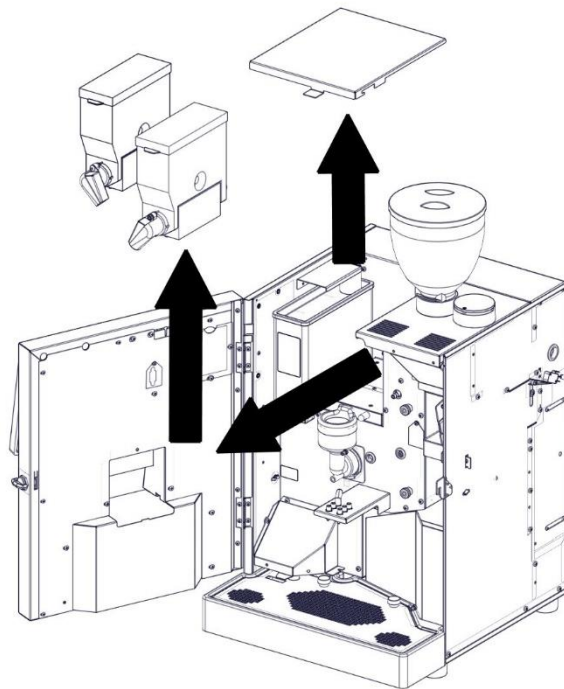
CAUTION

These are essential operations. If they're not done the cleaning cycle is more likely to block, causing a FLOW METER KO message.

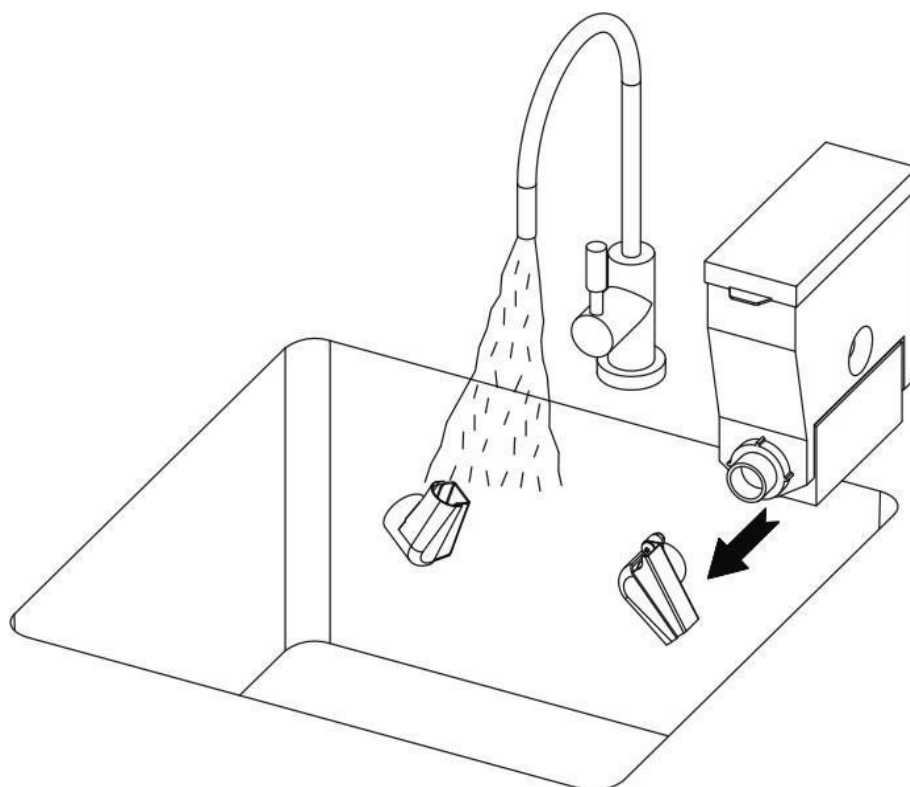
Use HLF cleaning tablet ONLY. Otherwise warranty will not be valid anymore.

4.7 Powder Canisters and Mixing Bowls Cleaning

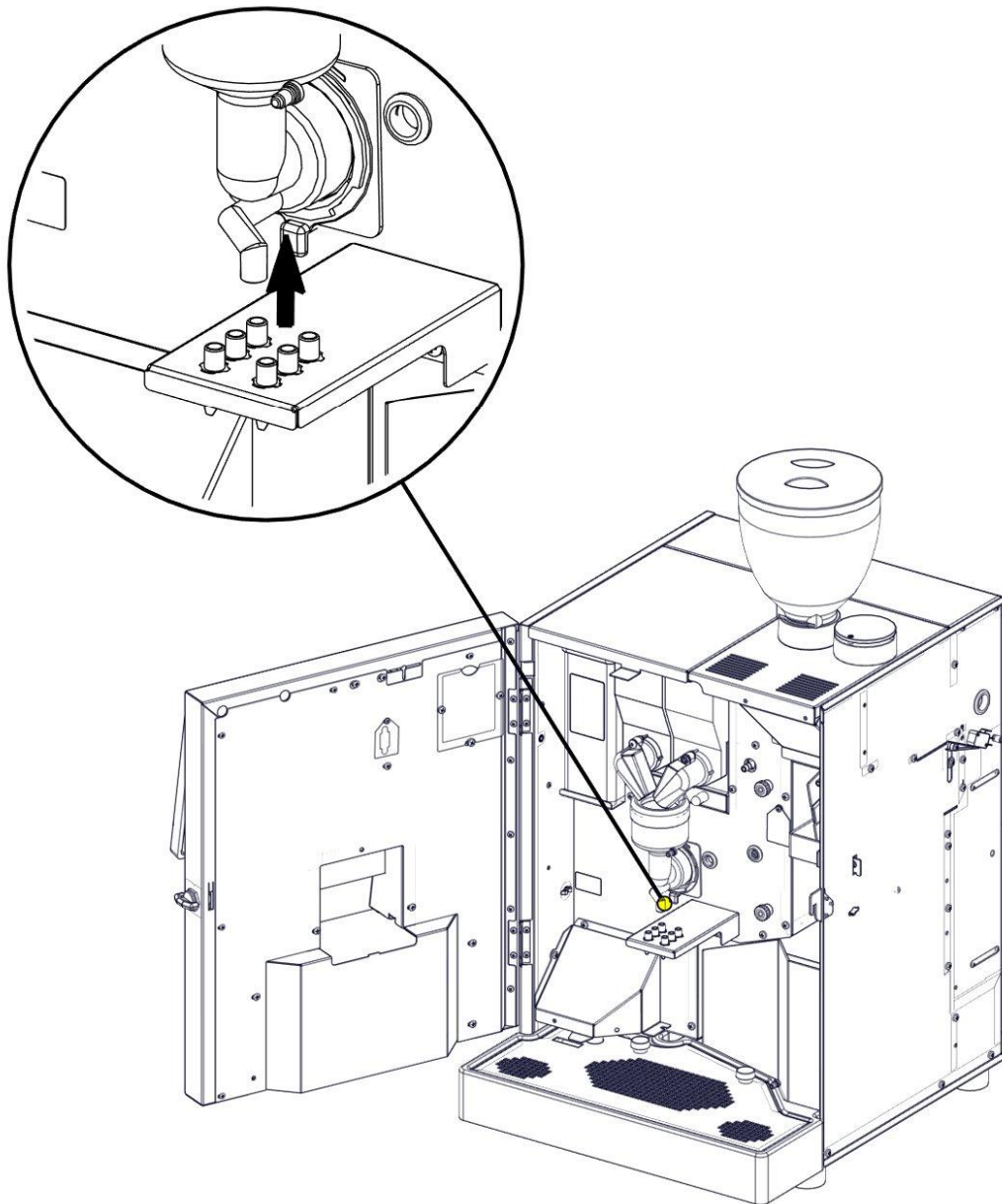
- Open the door.
- Lift the top lid of the machine and remove the powder canisters.



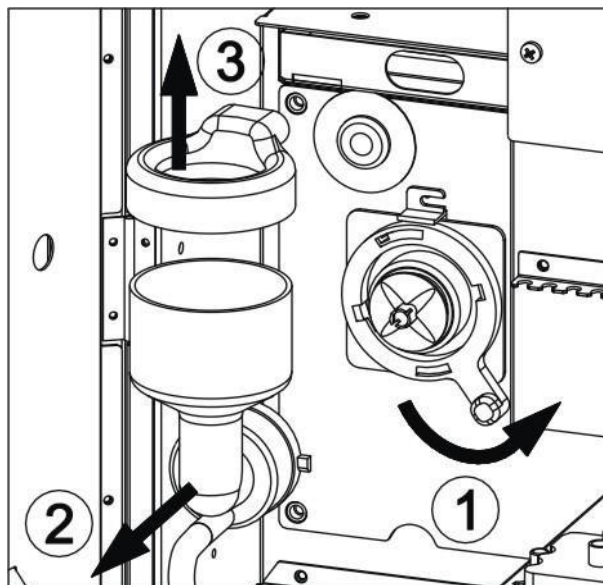
- Thoroughly clean areas under the powder canisters with a sponge, hot water and detergent. Dry thoroughly.
- Remove the powder shoot from each canister, wash them and dry thoroughly.



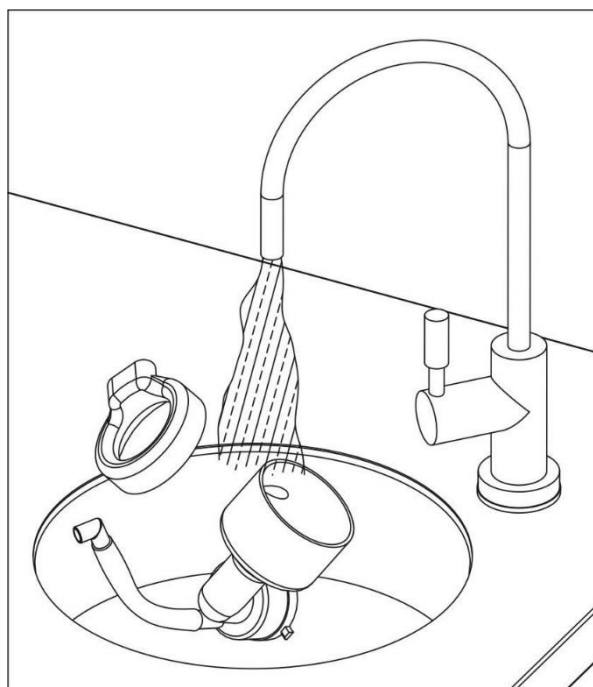
- Put back the powder shoots and fill the powder canisters.
- Wipe with a wet cloth the exterior of the powder canisters and dry thoroughly.
- Disconnect all the grey tubes coming from the mixing bowls from the splitter



- Turn the plastic mixing bowl base in counter clockwise (1).
- Extract the mixing bowl (2) and remove the cover (3).

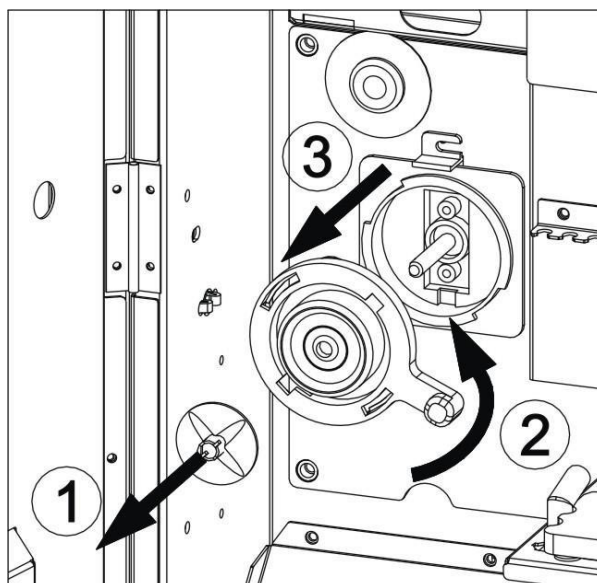


- Rinse the parts under running water. Scrub thoroughly using the brush.

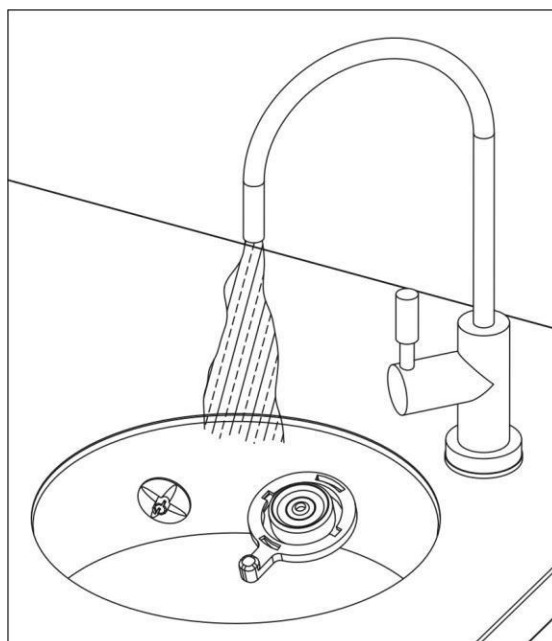


- Extract the mixing blade (1).

- Turn the plastic mixing bowl base further in counter clockwise (2) and extract it from the whipper (3).

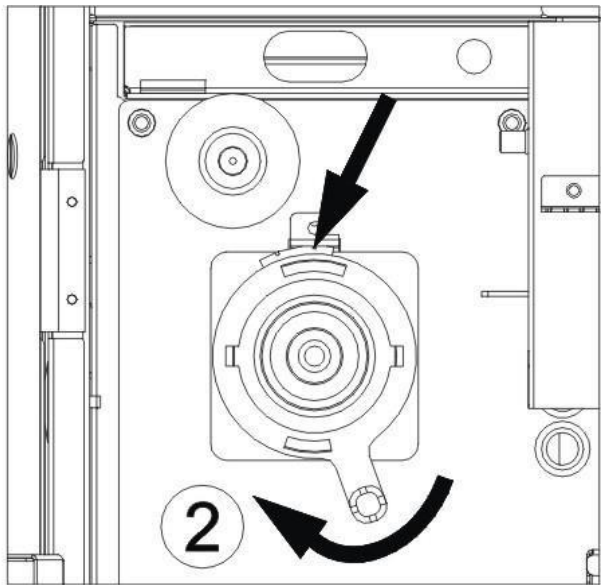
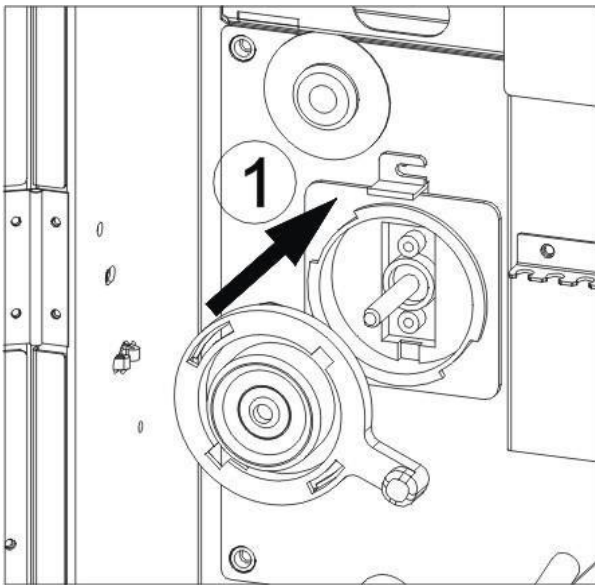


- Rinse the parts under running water. Scrub thoroughly using the brush. Dry thoroughly



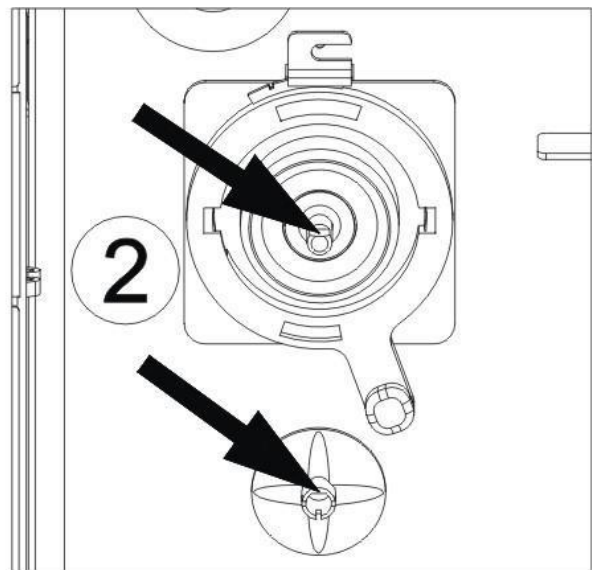
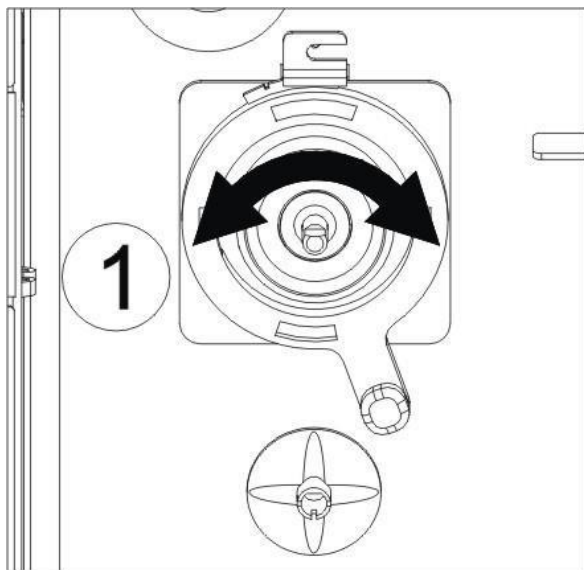
- Put back the pieces to their original position:

1. plastic mixing bowl base
Insert the plastic mixing bowl base (1) and turn it clockwise until it reaches the position indicated by the arrow below (2).



2. mixing blade

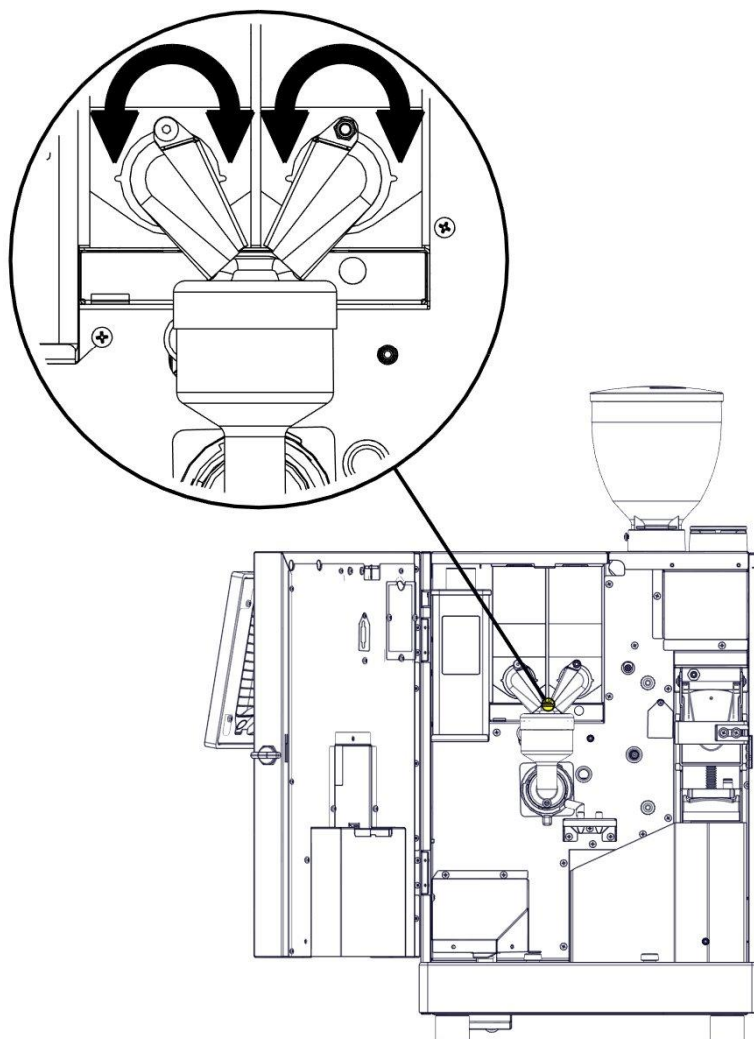
Turn the shaft with the flat side up (1) and insert the mixing blade so that its internal flat side aligns with the one of the shaft .



3. mixing bowl with its cover

4. connect the tubes coming from the mixing bowls to the drink spouts support

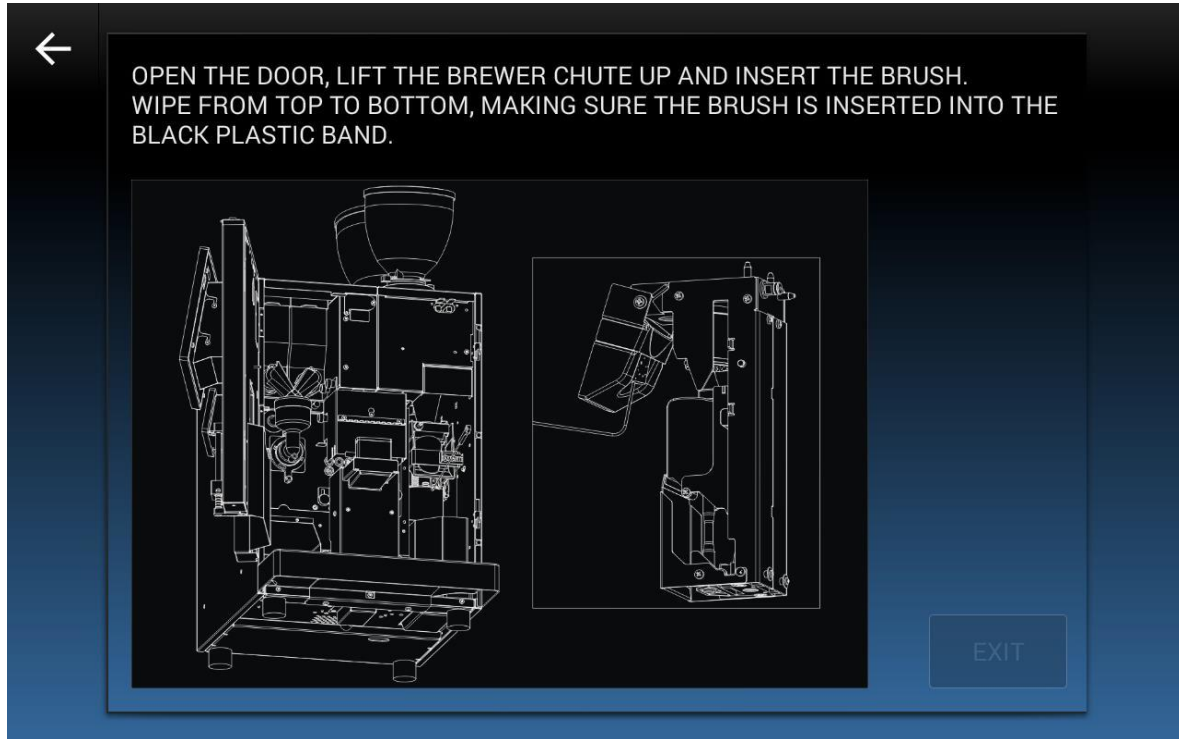
- Return the powder canisters into the machine
- Adjust the shoots to point to the mixing bowls.



- Close the door.

4.8 Coffee Group's Chute Cleaning

Follow the instructions that appear on the Touch Screen.



Once cleaning operations have been completed, the *Exit* key will be enabled. Insert Password 1111 in order to exit from the Cleaning Menu.

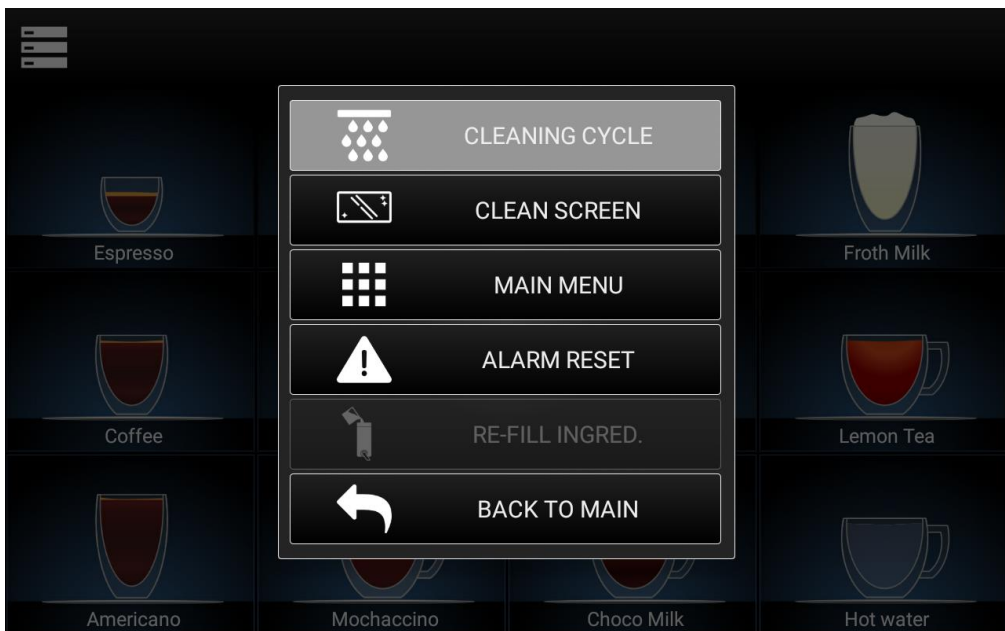
5 Operating the computer software

5.1 Cleaning Cycle

In order to access the computer software, push the top left corner.



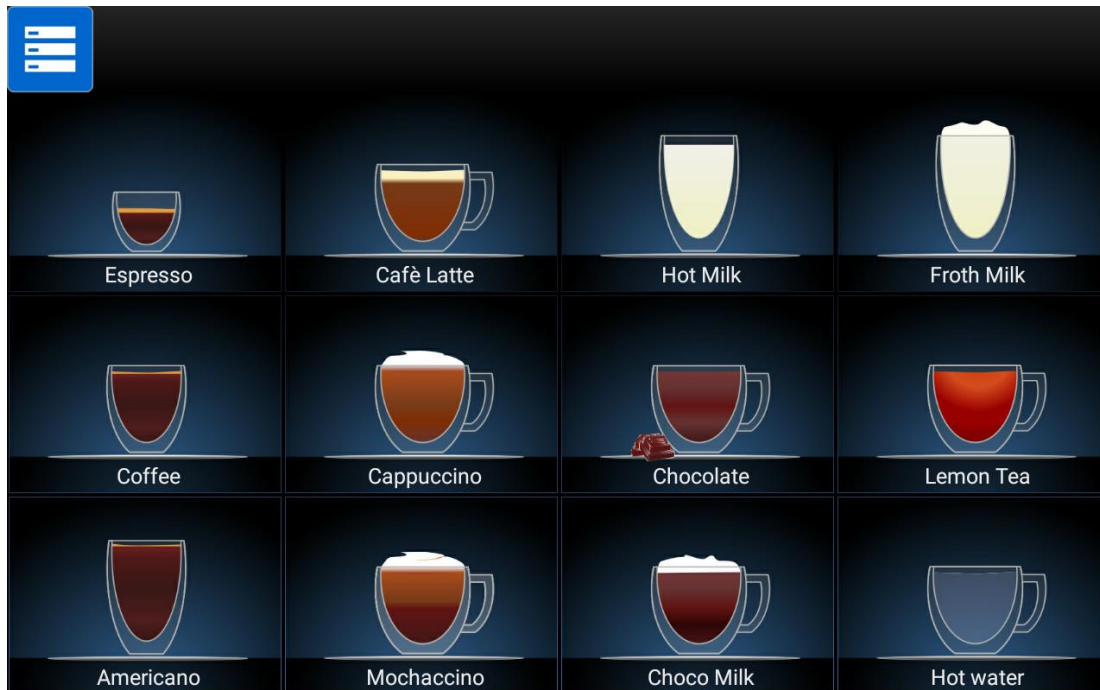
Then push **Cleaning Cycle** key.



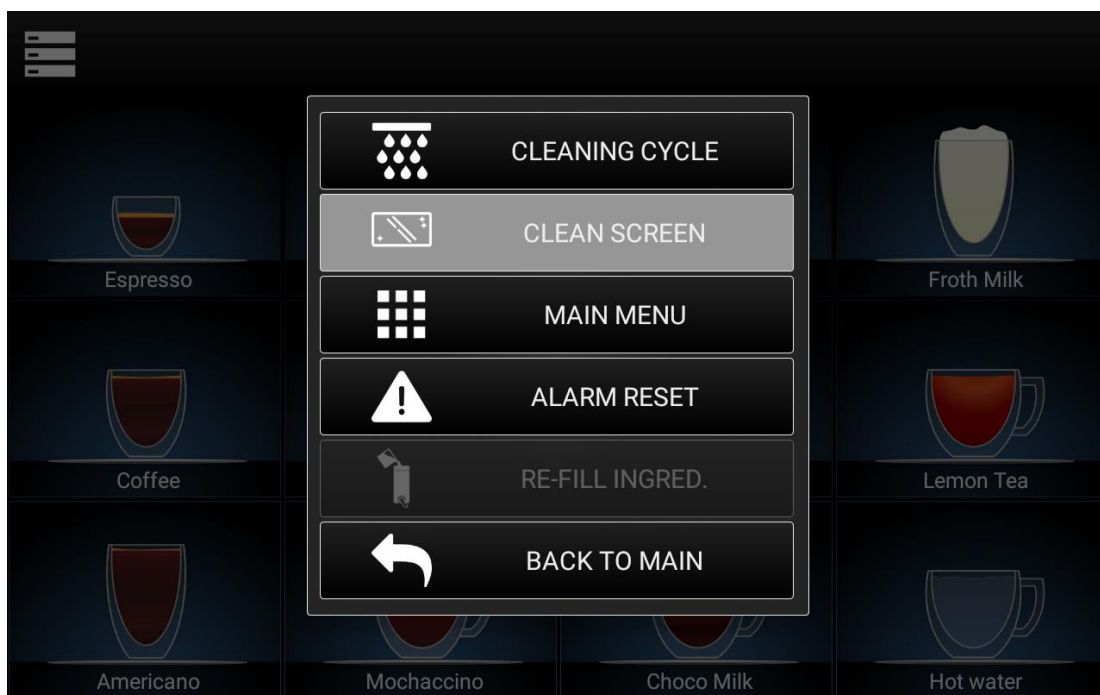
See chapter 4 Cleaning Guide for all operations.

5.2 Clean Screen

In order to access the computer software, push the top left corner.



Then push **Clean Screen** key



The following screenshot will appear on the touch screen.

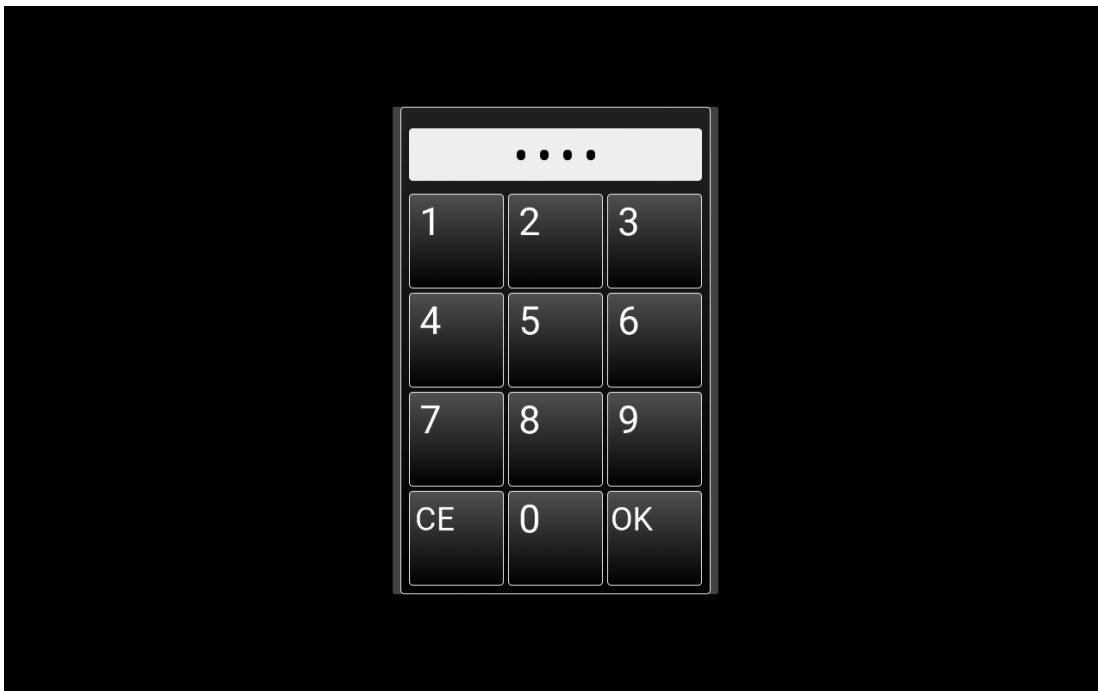


Enter the password: 1111.
Push **OK**.

Now it is possible to clean the touch screen with a cloth (the touch screen is not active).

Once finished, touch the screen anywhere.

The following screenshot will appear on the touch screen.



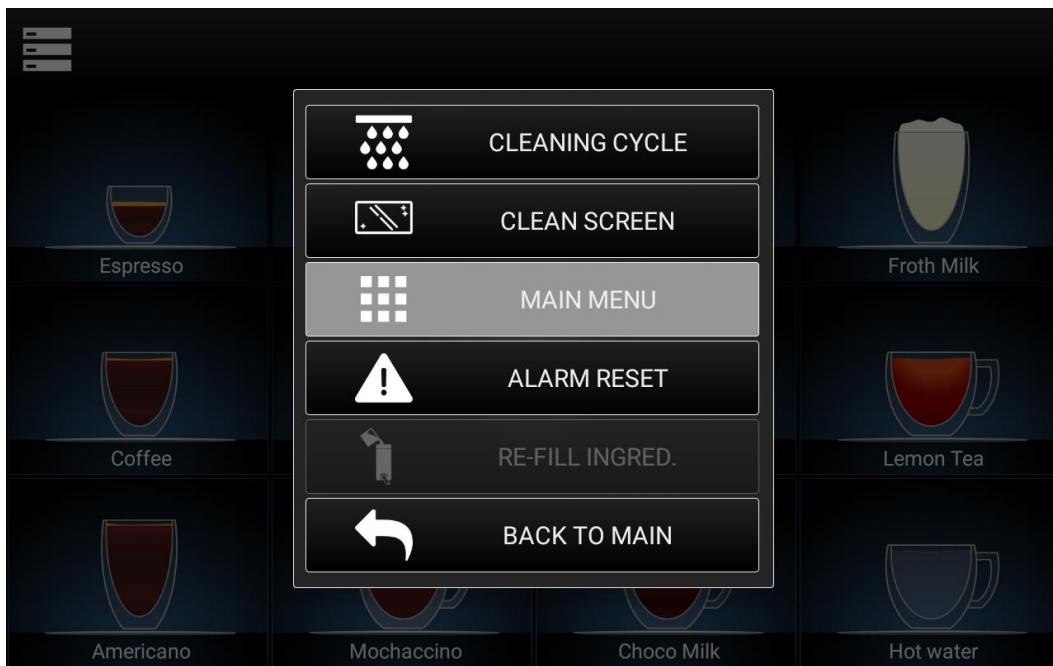
Enter the password: 1111.
Push **OK**.

5.3 Main Menu

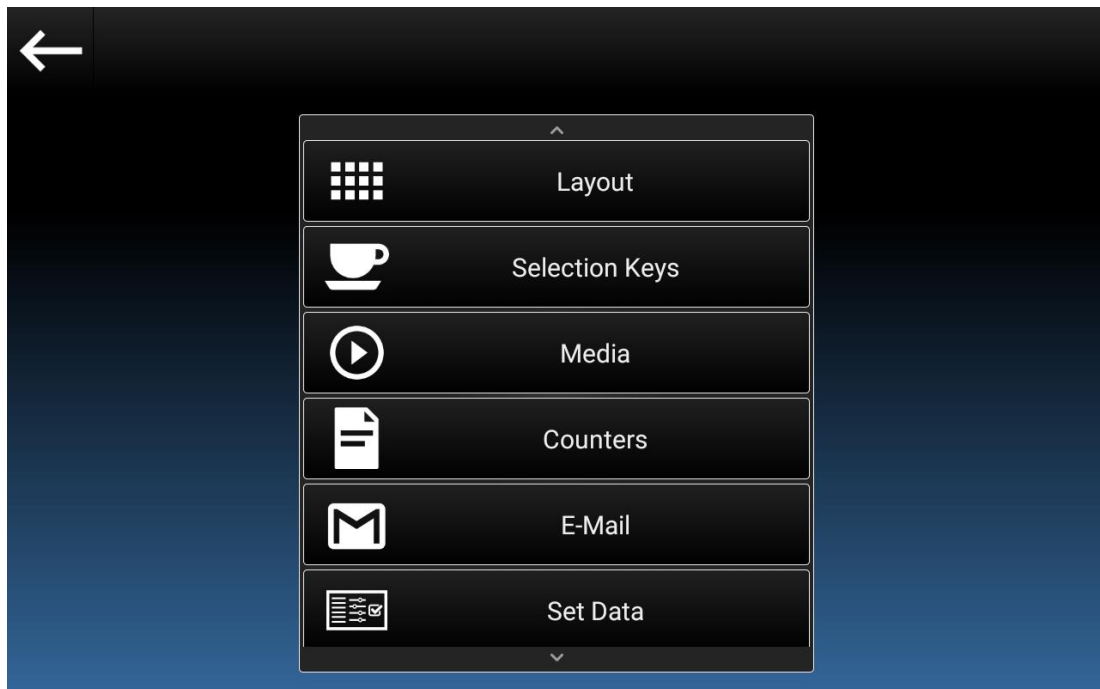
In order to access the computer software, push the top left corner.



Then push **Main Menu** key.

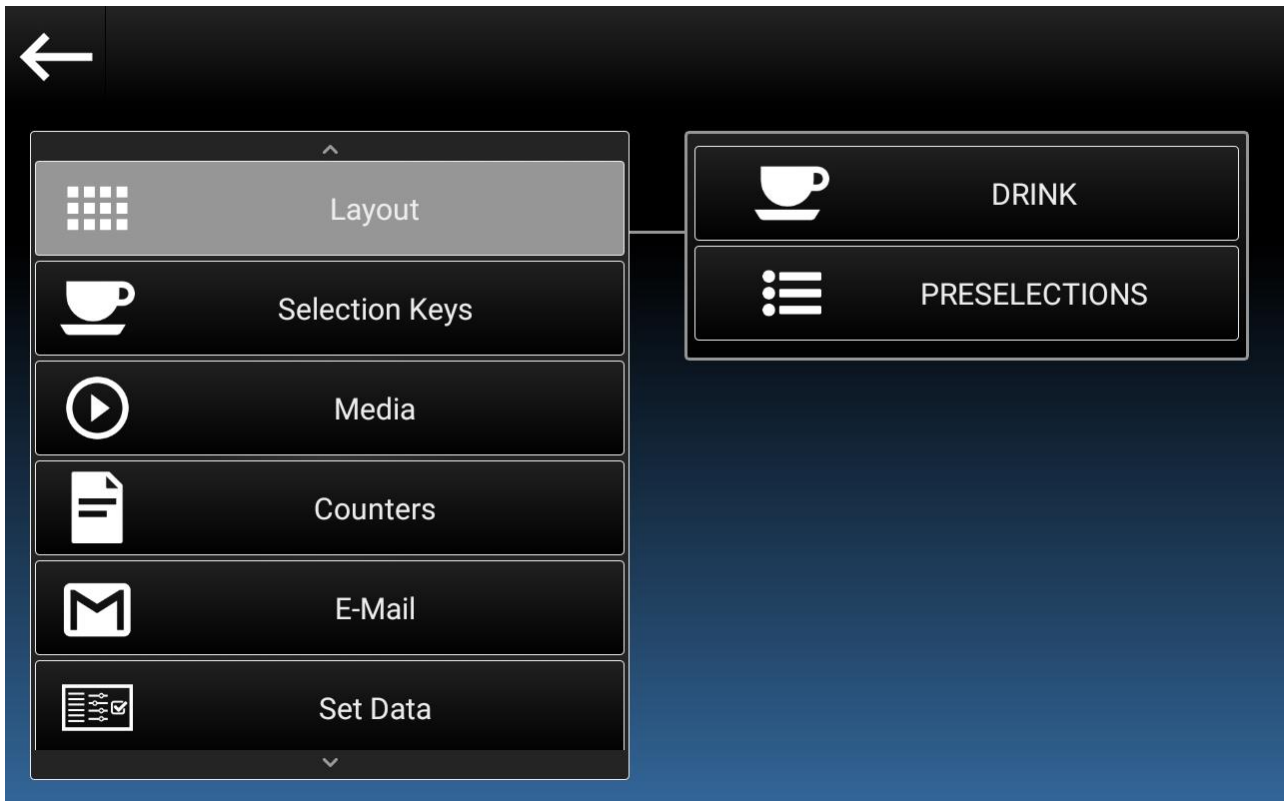


Enter the password: 123456, then push **OK**



5.3.1 Layout

To access functions: push **Layout** and then choose the function.



You can choose between the following sections:

- **Drink**
- **Preselections**

5.3.1.1 Drink

Push **Drink** key.

The following screenshot will appear on the touch screen.



The possible operations to do are the following:

- **Keys 1 - 6:** it is possible to choose up to 6 different drink keys layouts.
- **Keys $N \times N$:** to set the drink keys quantity.
- **Menu icon:** pushing on the menu icon (over the top left drink button) it is possible to change the menu icon or to load the default icon.
- **Enable Second Page:** it is possible to activate the secondo page to have more drinks selections

In order to access the drink key setting, push on the key to set.

The following screenshot will appear:



The possible operations to do are the following:

- **Set name:** it is possible to change the name of the drink.
- **Text color:** It is possible to choose the color of the name of the drink.
- **Load image:** It is possible to load extra images for the drink image. Ask HLF Technical support for the dimension of the images that can be load.
- **Hide Drink Name:** When enabled, the drink name will not be shown in the drink selection screen and in the Step by Step screen.

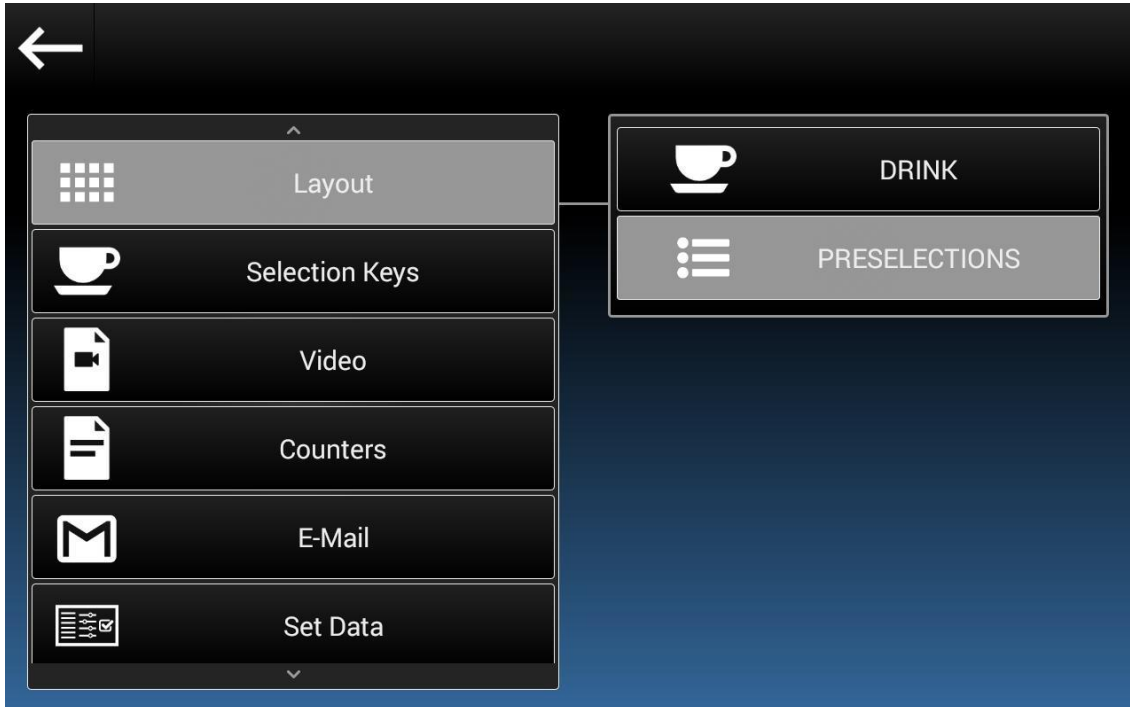
It is also possible to choose the function of the button:

- **Disabled Button:** the button has no reaction if pushed.
- **Drink Button:** the button will dispense the set drink.

In order to upload files via USB, see section 5.3.6.3.1

5.3.1.2 Preselections

Push **Preselections** key.



The following screenshot will appear on the touch screen.



The possible operations to do are the following:

- **Set name:** it is possible to change the name of the preselection.
- **Text color:** It is possible to choose the color of the name of the preselection.
- **Load image:** It is possible to load extra images for the preselection image. Ask HLF Technical support for the dimension of the images that can be load.
- **Reset preselection layout:** it is possible to turn the layout of the preselection to the factory layout
- **Hide Preselection Name:** When enabled, the preselection name will not be shown in the Step by Step screen.

In order to upload files via USB, see section 5.3.6.3.1

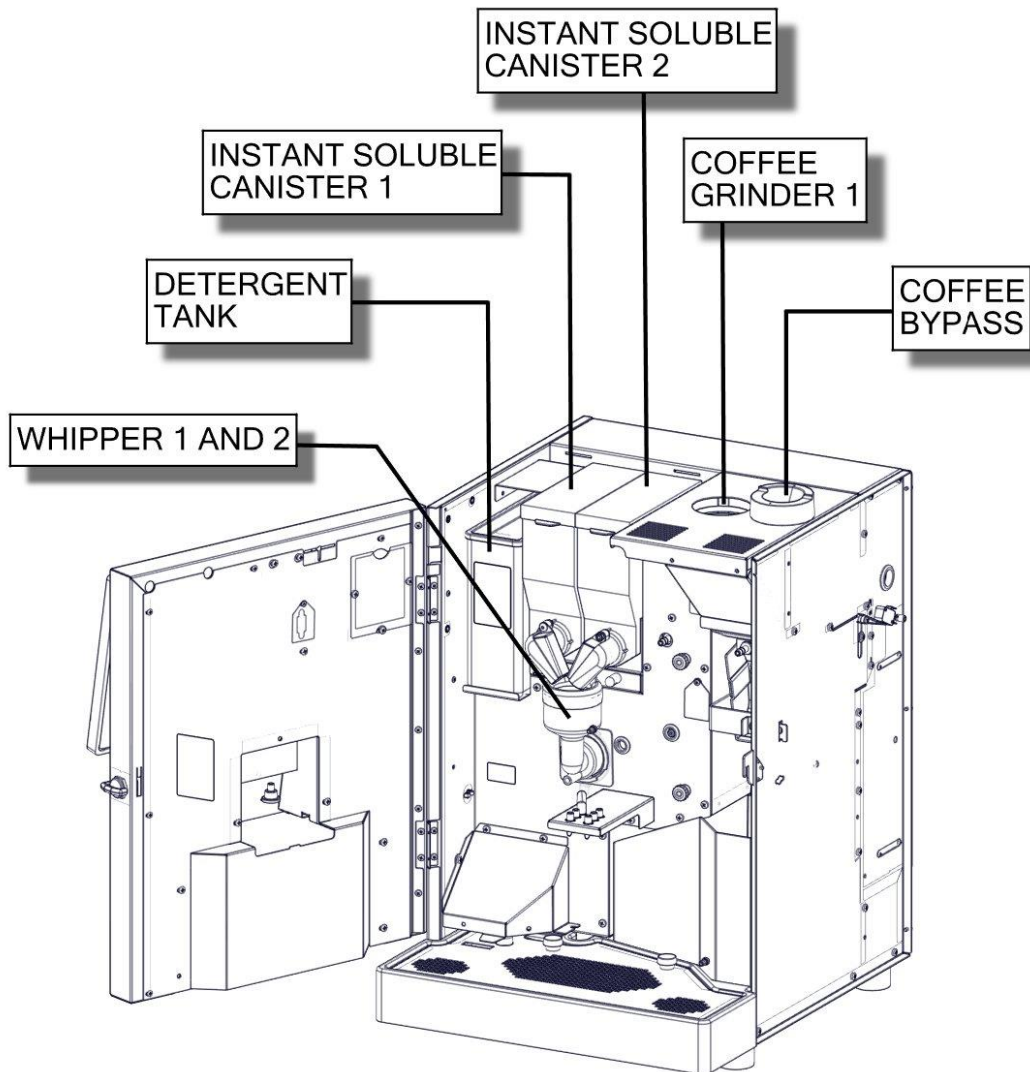
5.3.1.2.1 Preselection functions

The available preselections are the following:

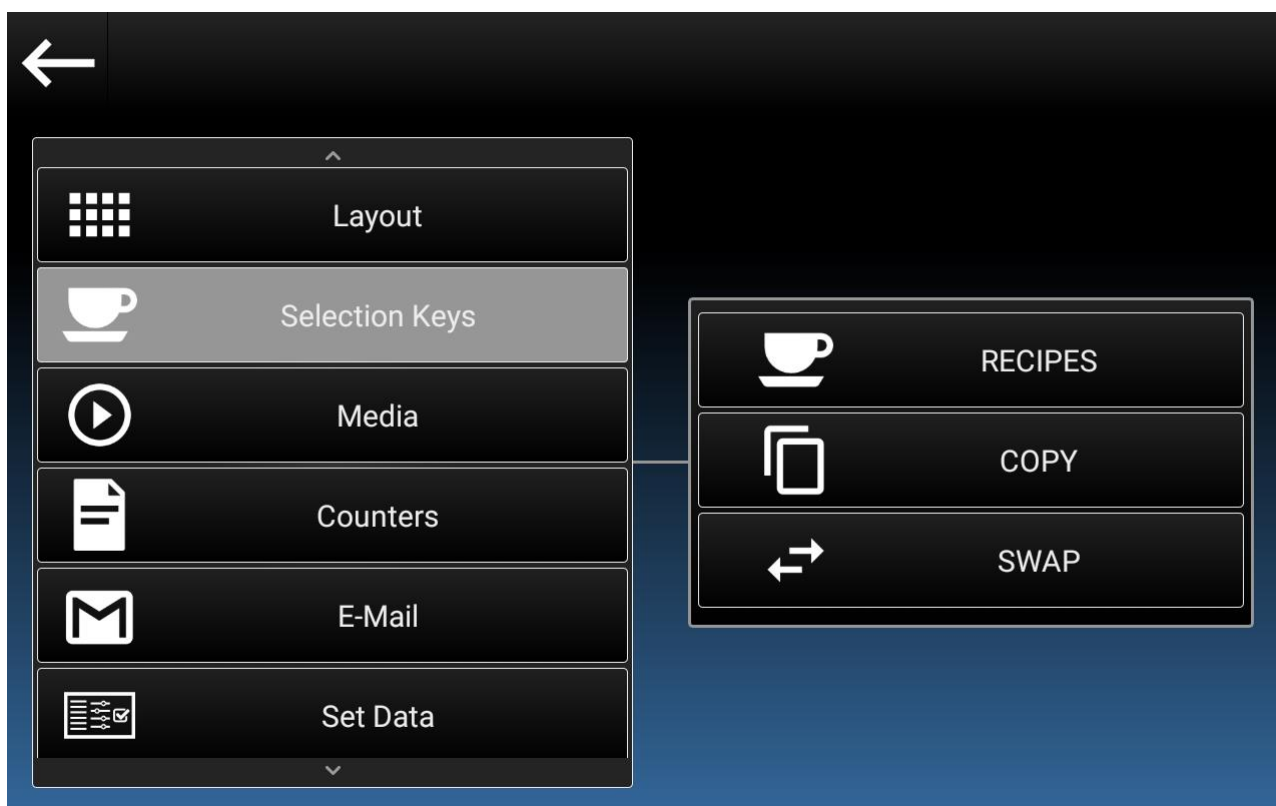
- **Regular drink:** use the standard setting of the recipe to make the drink instead of the Fixed preselection (if fixed preselections are set).
- **Long Drink:** Add to the drink the percentage of product set in the “Long drink” options inside the drink recipe.
- **Extra Long Drink:** Add to the drink the percentage of product set in the “Extra Long drink” options inside the drink recipe
- **Jug:** it will repeat the drink distribution for a certain number of cycles, set in the drink recipe. Applied only for Hot Water and/or Coffee.
- **Strong Coffee:** Makes the coffee using the grinder time limit instead of the grinding set time.
- **Powder milk:** Use the powder inside the powder container no.1 instead of Fresh Milk. Powder Container no.1 must be set inside the recipe of the drink but not set in the Execution code.
- **Alternative powder:** exchange the 2 soluble containers sets, if set on the drink.
- **Pre-ground:** use coffee bypass instead of the fresh ground coffee

5.3.2 Selection Keys

The following picture shows the names of each component, in order to better understand the meaning of the definitions.



To access functions: push **Selection Keys** and then choose the function.



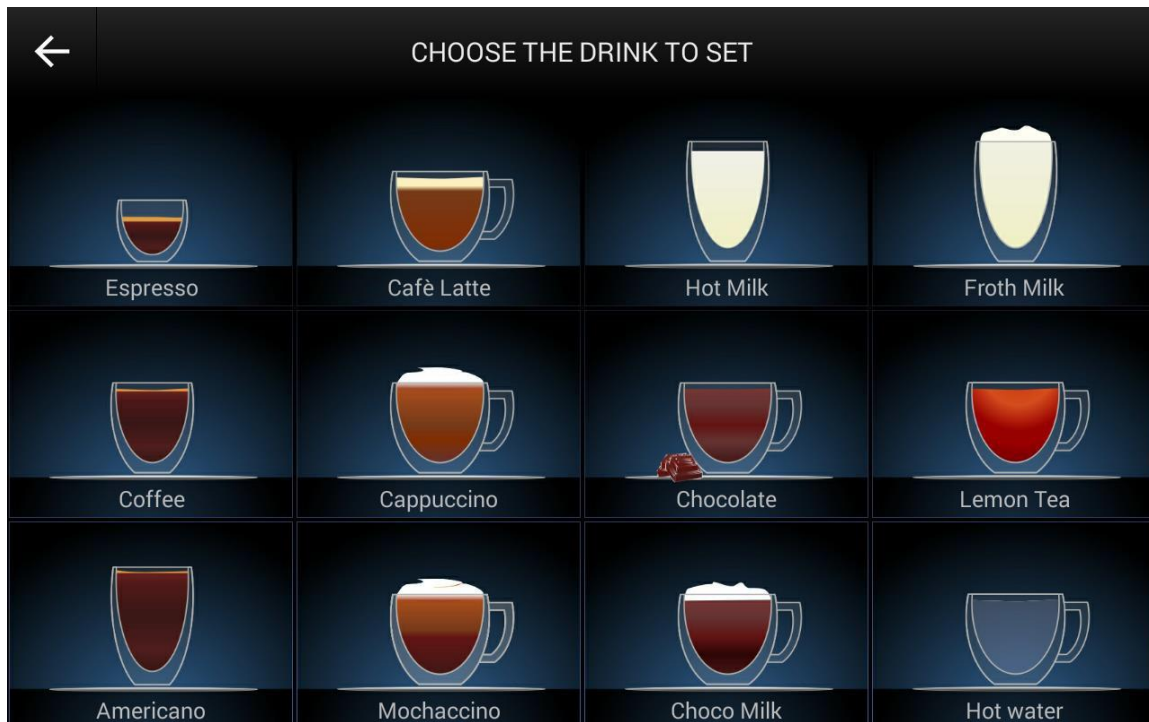
You can choose between the following sections:

- **Recipes**
- **Copy**
- **Swap**

5.3.2.1 Recipes

Push **recipes** key.

The following screenshot will appear on the touch screen.

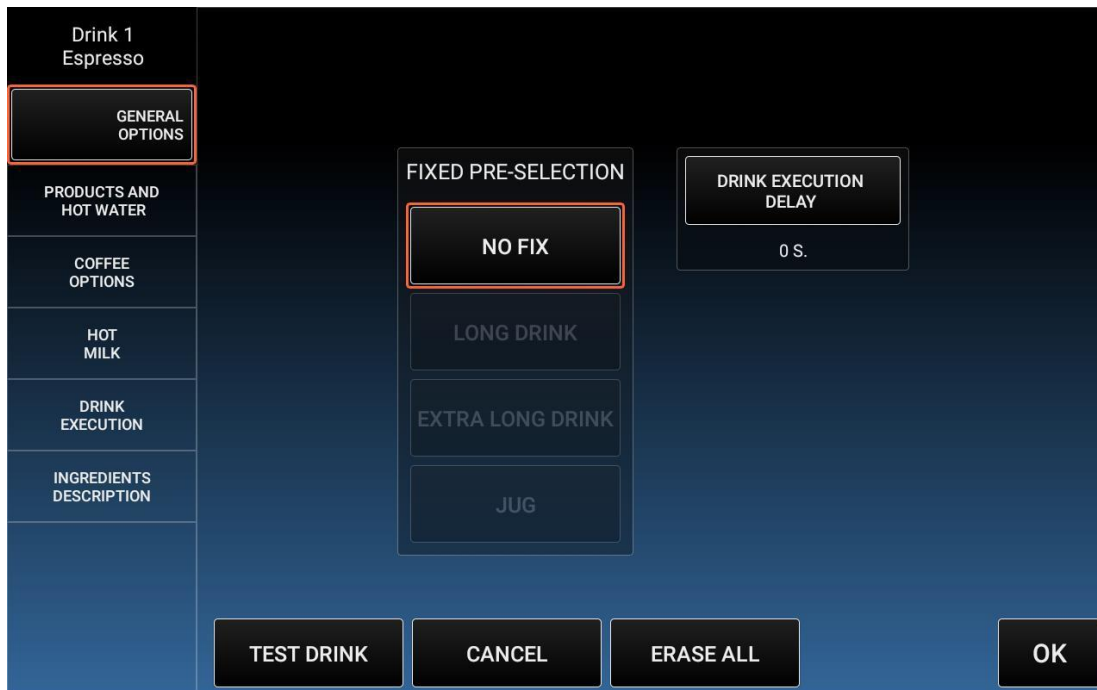


Choose the drink to set.

5.3.2.1.1 General Options

Push **General Options** key.

The following screenshot will appear on the touch screen.



Fixed Preselection have assigned functions and will act any time the key is pushed before the drink.

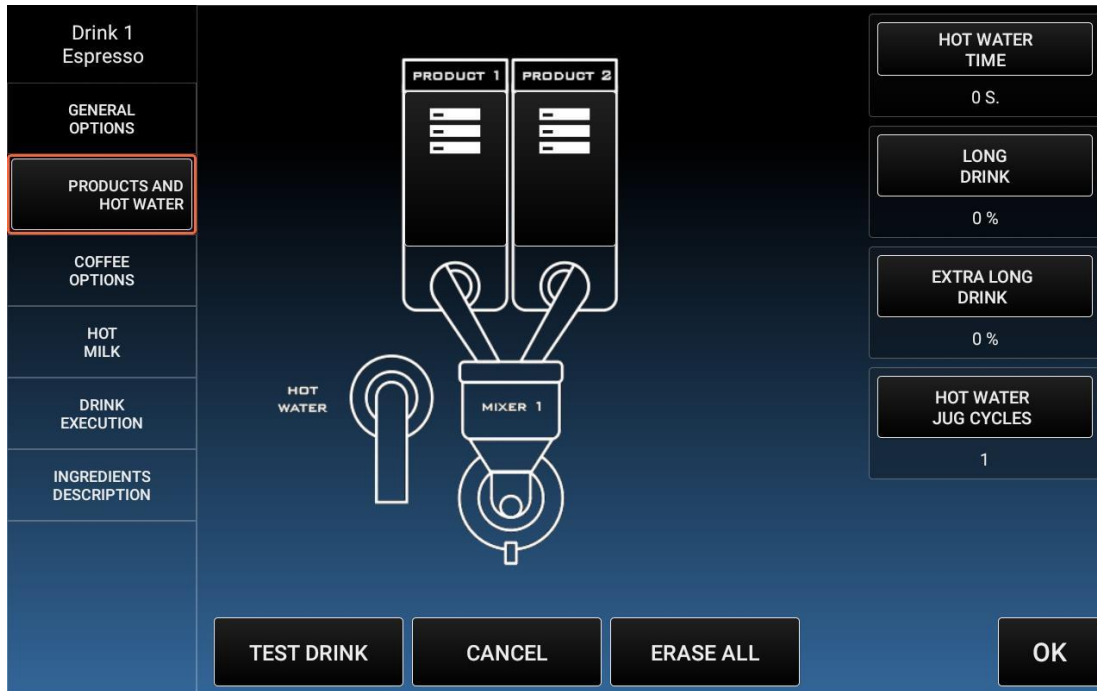
The available functions are:

- **No Fix:** the key will act normally.
- **Long Drink:** the drink will be dispensed always with the Long Drink pre-selection.
- **Extra Long Drink:** the drink will be dispensed always with the Extralong Drink pre-selection.
- **Jug:** the drink will be dispensed always with the Jug pre-selection.
- **Drink Execution delay:** this is the dispensing delay (expressed in seconds) between two ingredients of the same beverage.

5.3.2.1.2 Products and Hot Water

Push **Products and Hot Water** key.

The following screenshot will appear on the touch screen.



The possible operations to do are the following:

- **Hot Water Time:** to set the hot water quantity expressed in seconds.
- **Long Drink:** this is the percentage that the software will use to increase the amount of water used when the pre-selection key **Long Drink** is set or will be pushed before to push the **Drink 1** key.
- **Extra Long Drink:** this is the percentage that the software will use to increase the amount of water used when the pre-selection key **Extralong Drink** is set or will be pushed before to push the **Drink 1** key.
- **Hot Water Jug cycles:** this is the number of Hot Water that the machine delivers consecutively when the pre-selection key **Jug** is set or will be pushed before the **Drink 1**

POWDER MILK

Push on Product 1 container and set the values (they are all expressed in seconds):



The possible operations to do are the following:

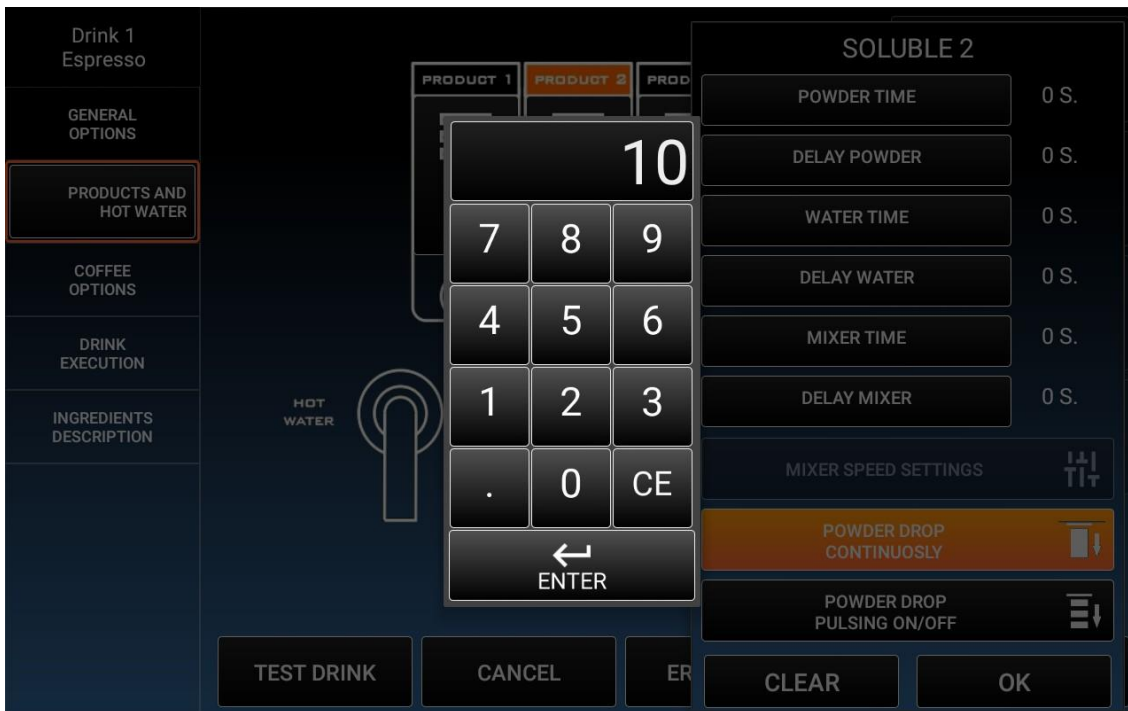
- **Time:** this is the amount of seconds the ingredient will be delivered.
- **Delay:** this is the delay after which the ingredient starts to be delivered.
- **Powder Drop Continuously:** the dosage of the instant soluble powder is uninterrupted.
- **Powder Drop Pulsing On/Off:** this function permits to dispense the instant soluble powders through a flashing mode.

Repeat this step for container 2

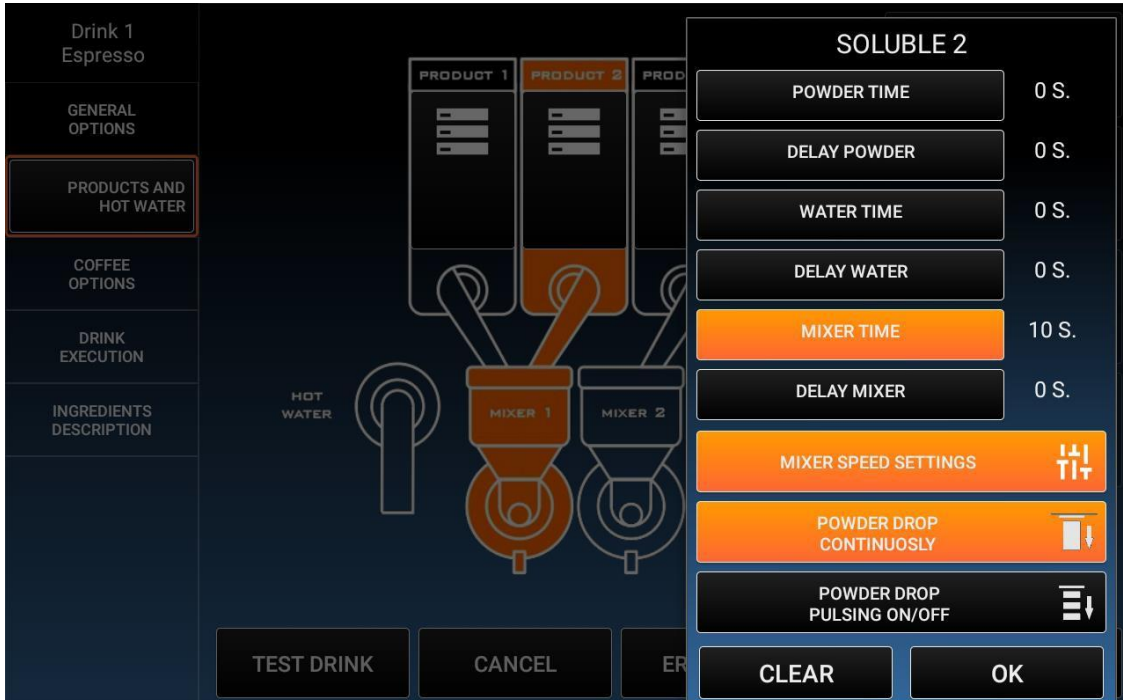
MIXER SPEED SETTINGS

If you have an HLF 2700 SOLUBLE is also possible to set the mixer's speed.

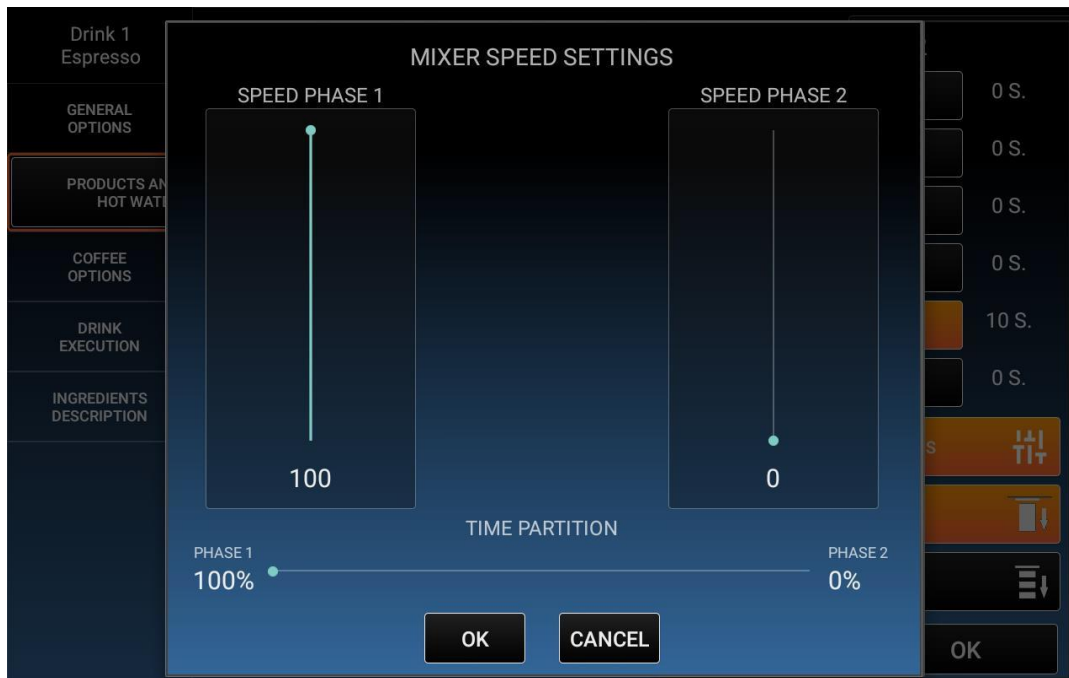
Push on MIXER TIME and the following screenshot will appear on the touch screen.



You can set the seconds for the mixer and after that, the key **Mixer Speed Settings** will be enabled.



Push **Mixer Speed Settings** key and the following screenshot will appear on the touch screen.



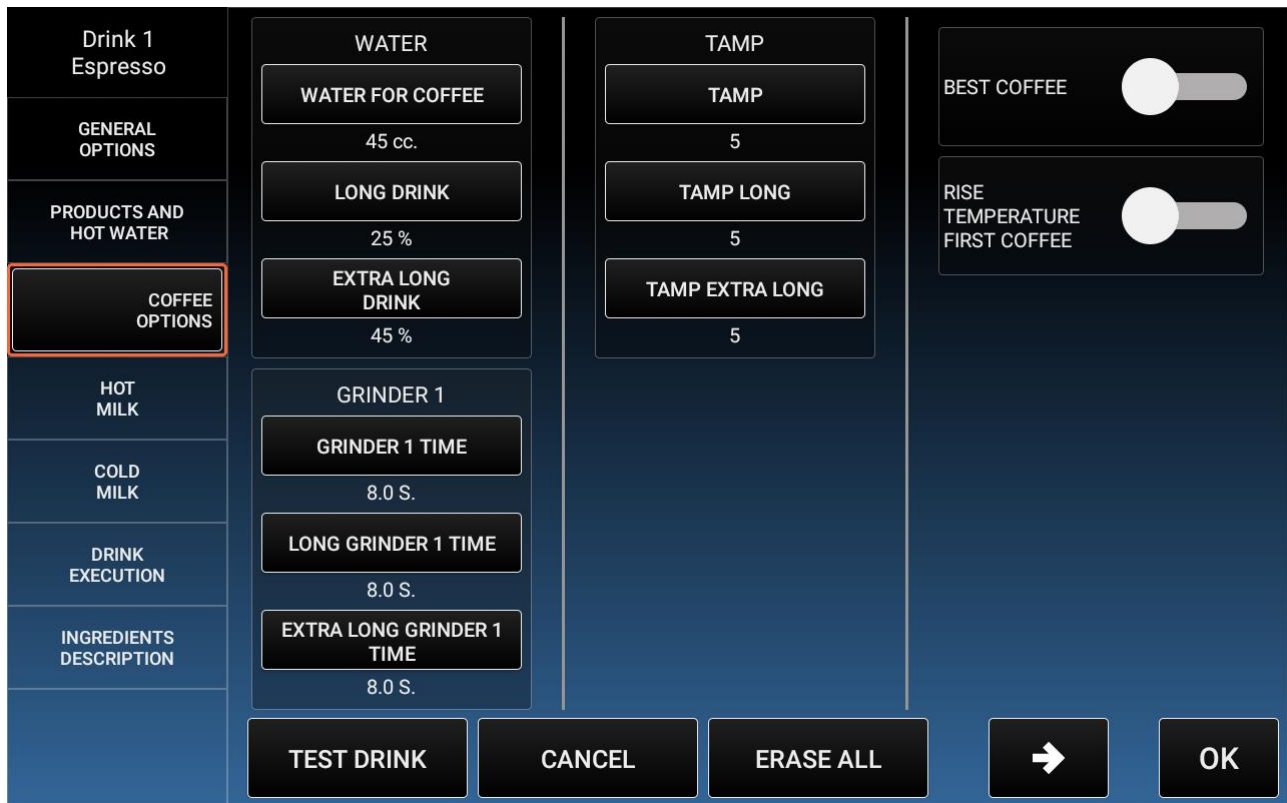
The possible operations to do are the following:

- **Speed Phase 1:** this is the set speed for the mixer on the phase 1
- **Speed Phase 2:** this is the set speed for the mixer on the phase 2
- **Time Partition:** this is the time partition for the two phases

5.3.2.1.3 Coffee Options

Push **Coffee Options** key.

The following screenshot will appear on the touch screen.

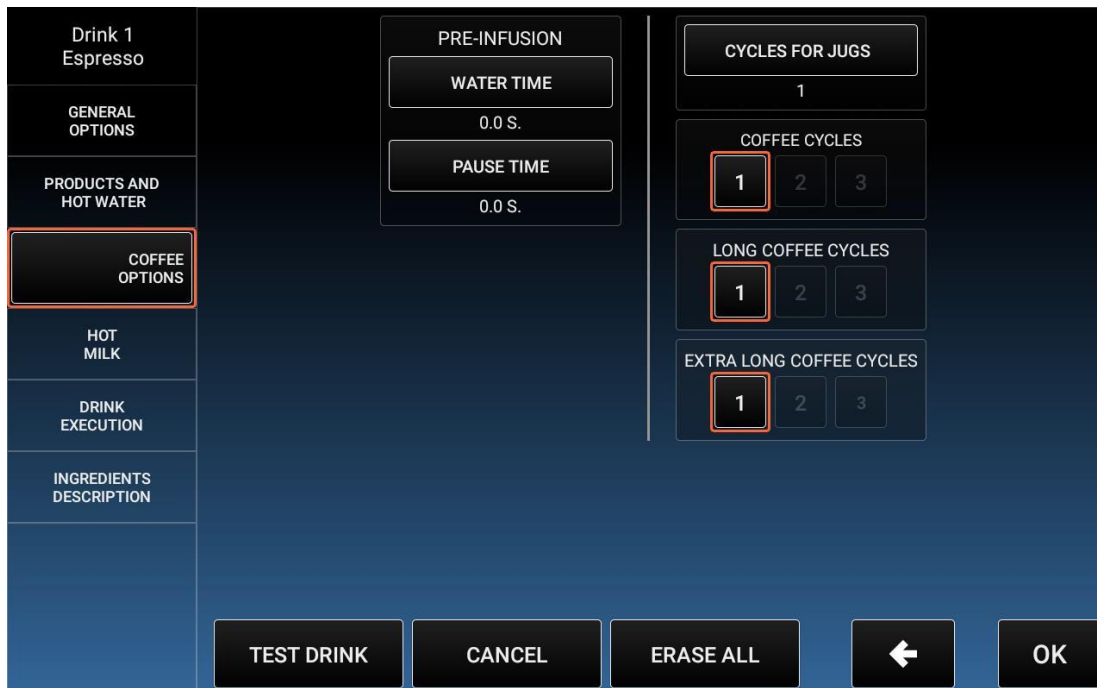


The possible operations to do are the following:

- **Water for Coffee:** it is the water used for coffee expressed in cc.
- **Long Drink:** this is the percentage that the software will use to increase the amount of *Water for Coffee* used when the pre-selection key **Long Drink** is set or will be pushed before to push the **Drink 1** key.
- **Extra Long Drink:** this is the percentage that the software will use to increase the amount of *Water for Coffee* used when the pre-selection key **Extra Long Drink** is set or will be pushed before to push the **Drink 1** key.
- **Grinder 1 Time:** this is the coffee beans quantity grinded, expressed in seconds.
- **Long Grinder 1 Time:** this is the coffee beans quantity grinded, expressed in seconds. It is automatically activated when a “Long” drink is selected.

- **Extra Long Grinder 1 Time:** this is the coffee beans quantity grinded, expressed in seconds. It is automatically activated when an “Extra Long” drink is selected.
- **Tamp:** indicates how much the powder into the coffee group is pressed. Min.: 1, max.: 5.
- **Tamp Long:** indicates how much the powder into the coffee group is pressed. Min.: 1, max.: 5. It is automatically activated when a “Long” drink is selected.
- **Tamp Extra Long:** indicates how much the powder into the coffee group is pressed. Min.: 1, max.: 5. It is automatically activated when an “Extra Long” drink is selected.
- **Best Coffee:** this function permits to dispense always a fresh grinded coffee. After 20 minutes of inactivity if a coffee cycle is set into this menu, the machine will grind a coffee which will immediately discarded, before dispensing the coffee. This way it will be always dispensed a fresh coffee, not oxidized.
- **Rise Temperature First Coffee:** to increase the temperature of the first coffee delivered.

By pushing on the arrow button, it is possible to access to the next page:



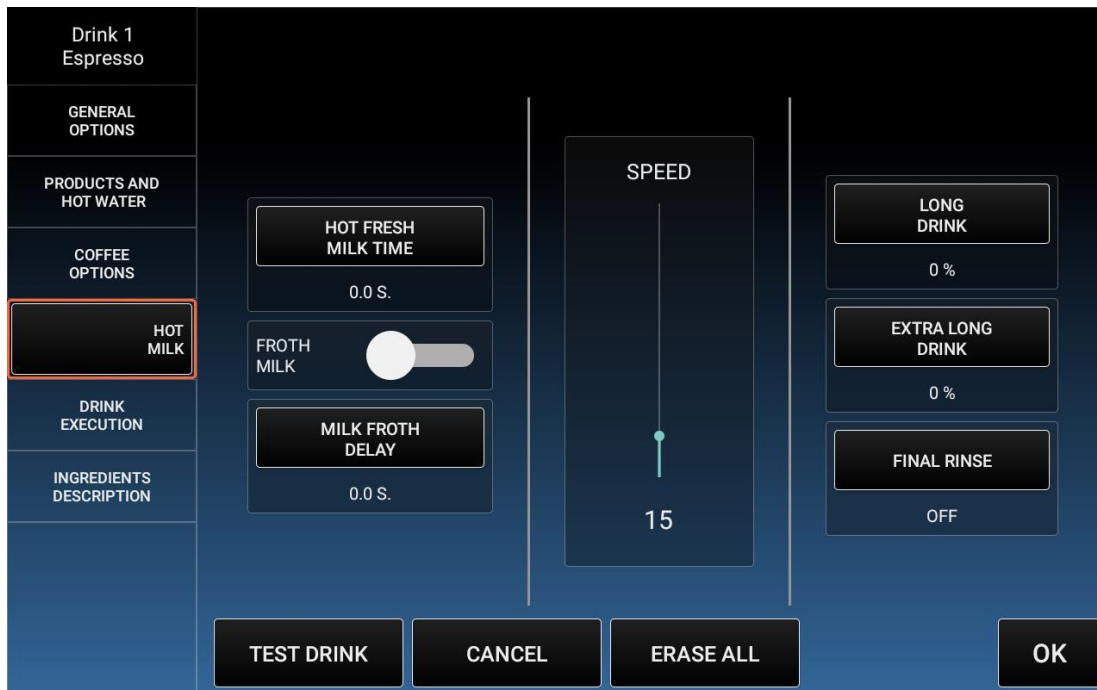
The possible operations to do are the following:

- **Pre-Infusion Water Time:** it is the water used for pre-infusion expressed in seconds.
- **Pre-Infusion Pause Time:** it is the time for pre-infusion that will be waited before start to dispense the coffee.
- **Cycles for Jugs:** this is the number of coffee that the machine delivers consecutively when the pre-selection key **Jug** is set or will be pushed before the **Drink 1**.
- **Coffee Cycles:** this is the number of coffee that the machine delivers consecutively for a drink when no preselection are set/chosen.
- **Long Coffee Cycles:** this is the number of coffee that the machine delivers consecutively for a drink when “Long Drink” preselection is set.
- **Extra Long Coffee Cycles:** this is the number of coffee that the machine delivers consecutively for a drink when “Extra Long Drink” preselection is set.

5.3.2.1.4 Hot Milk

Push **Hot Milk** key.

The following screenshot will appear on the touch screen.



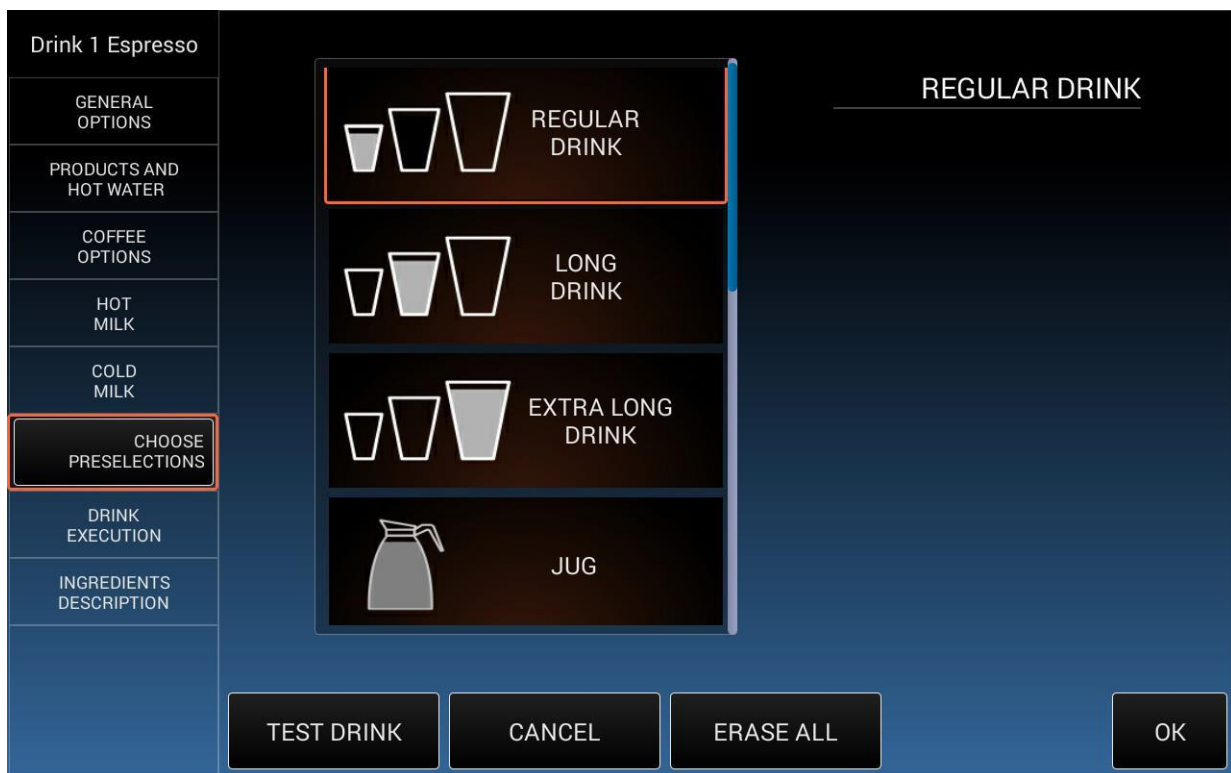
The possible operations to do are the following:

- **Hot Fresh Milk Time.:** to set the seconds of delivery for the milk.
- **Froth Milk:** this is the function that allows the frothing of the milk or just the heating of the milk.
- **Milk Froth Delay:** to set the delay time for the frothing process starting. Set at 0 (zero) if you want all the milk to be frothed or set a delay time to get firstly flat milk and then frothed milk.
- **Speed:** this is the speed the milk is delivered with.
- **Long Drink:** this is the percentage that the software will use to increase the amount of fresh milk used when the pre-selection key **Long Drink** is set or will be pushed before to push the **Drink 1** key.
- **Extra Long Drink:** this is the percentage that the software will use to increase the amount of fresh milk used when the pre-selection key **Extra Long** is set or will be pushed before to push the **Drink 1** key.

- Final Rinse:** enable this function in order to rinse with water the final part of the milk tube. It is possible to set from a min. of 1 sec. to a maximum of 10 sec.
 Advantages: the tube is cleaned. Disadvantages: the rinse water is discharged into the cup.
 If the function is not active, the milk tube is never cleaned. Advantages: there is not rinse water into the cup (only milk). Disadvantages: the tube may drip milk on the grid.
 Another way to clean the ending part of the milk tube is to activate the “*Automatic Clean Timeout*” inside *Technician Options*.

5.3.2.1.5 Choose Preselections

Push **Choose Preselections** key.
 The following screenshot will appear on the touch screen.



This function is available **only** if the *Step by Step* mode (in *Settings* menu) is enabled.

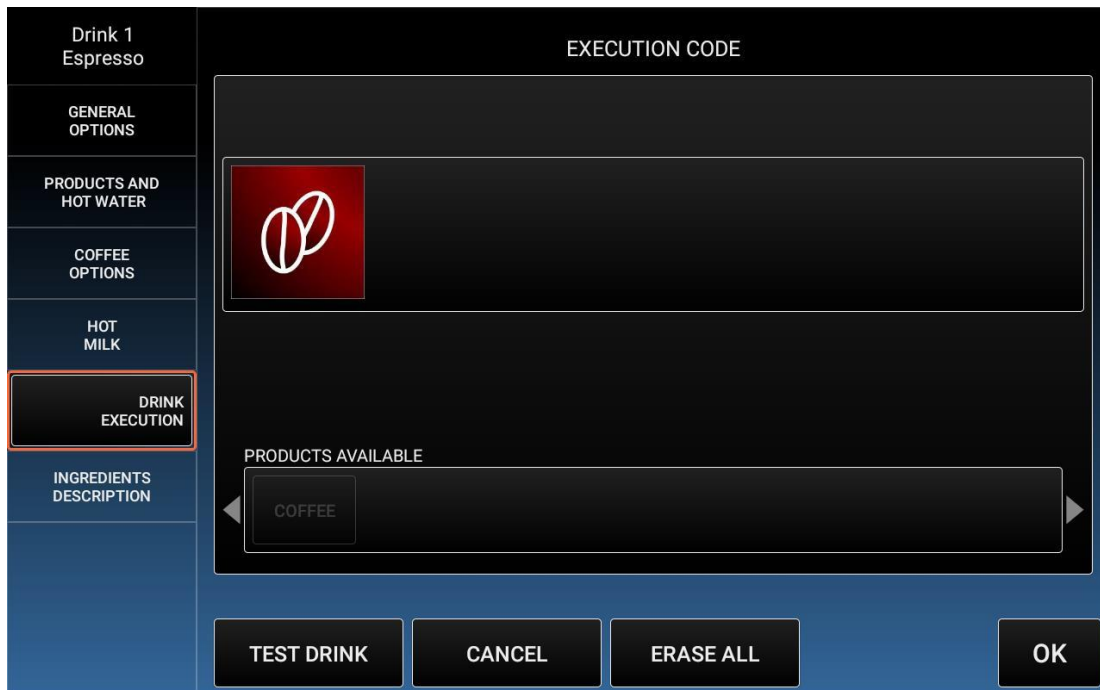
It is possible to choose which preselection will be available for the drink.
 Push on the icon of the preselection to make it available.

As Default, Regular Drink will be always available

5.3.2.1.6 Drink Execution

Push **Drink Execution** key.

The following screenshot will appear on the touch screen.



The *Drink Execution* function is used to set the order of execution of the steps that are sets inside the drink button. If no order of execution is set, the drink will be prepared with the default order of execution.

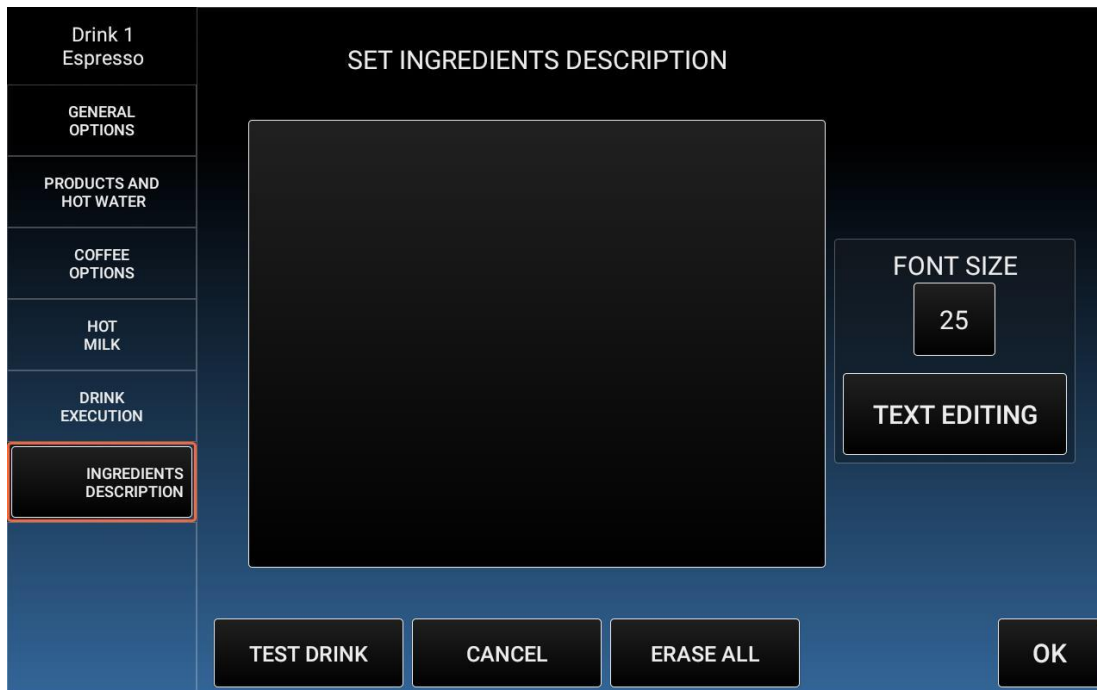
- **Test Drink:** It is possible to test the drink you have set without exit the drink settings menu

Use the "High Speed" switch to enable/disable the High Speed mode; You can either highlight one of the three preselections on the right to restrict the High Speed mode only to the chosen preselections.

5.3.2.1.7 Ingredients Description

Push **Ingredients Description** key.

The following screenshot will appear on the touch screen.



Ingredients Description function is available **only** if the *Step by Step* mode (in *Settings* menu) is enabled.

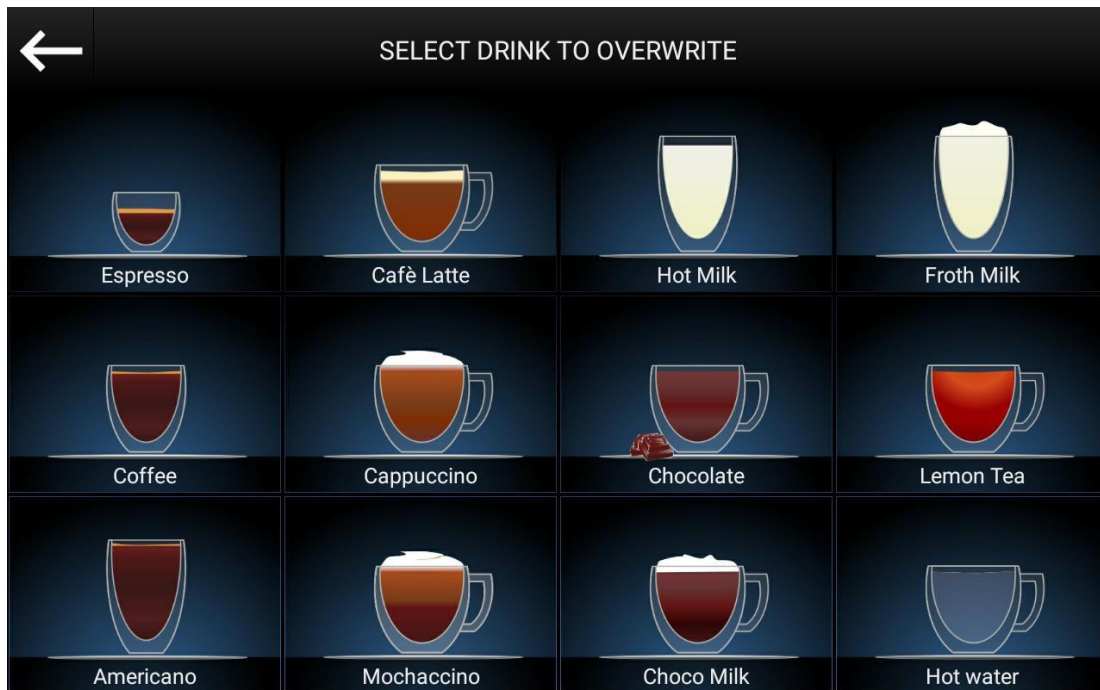
The possible operations to do are the following:

- **Text Editing**: in order to add each ingredient description.
- **Font Size**: to set the font size of text.

5.3.2.2 Copy

Push **Copy** key.

The following screenshot will appear on the touch screen.



With this function it is possible to copy the settings of a drink (ingredients, name and image) into another drink.

Steps:

- Choose the drink you need to modify.
- Choose the drink from which to copy data.

The following screenshot will appear on the touch screen.



Important: only when the *Name* or *Name and Image* are copied, only the overwritten drink will be reset.

If only *Copy* is selected (neither the *Name* nor the *Image* are selected), only the drink data will be copied.

5.3.2.3 Swap

Push **Swap** key.

The following screenshot will appear on the touch screen.



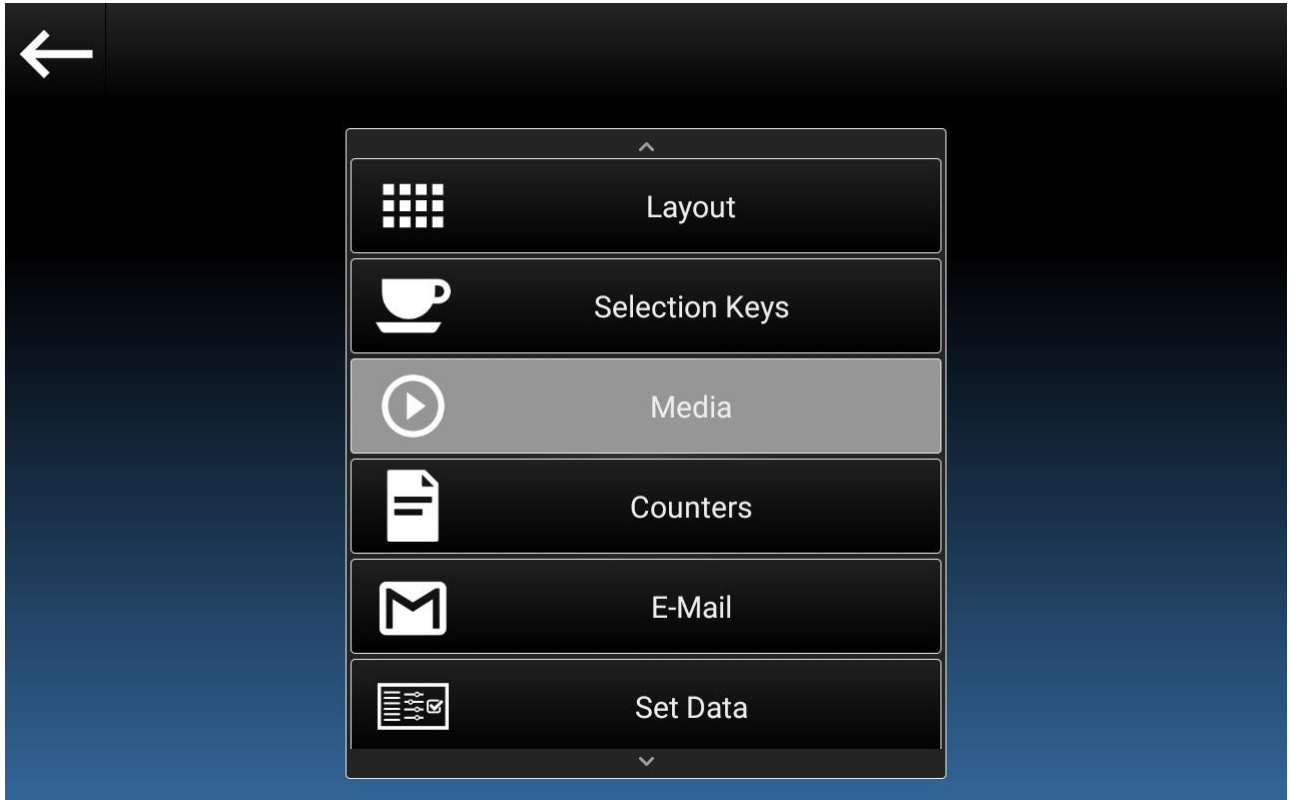
With this function it is possible to swap two drinks (ingredients, name and image).

Steps:

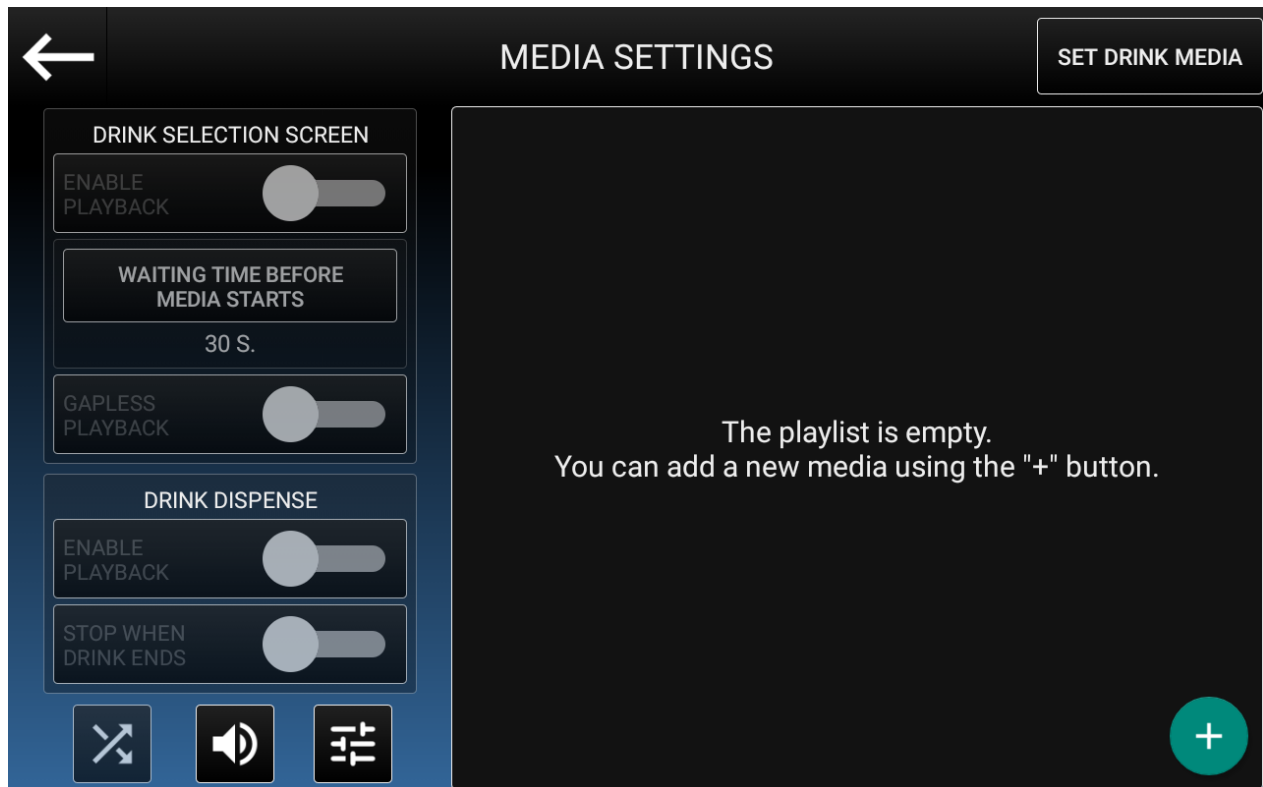
- Choose the drink you need to swap (1° drink).
- Choose the drink you need to swap to (2°drink).

5.3.3 Media

To access functions: push **Media** key.






The following screenshot will appear on the touch screen.

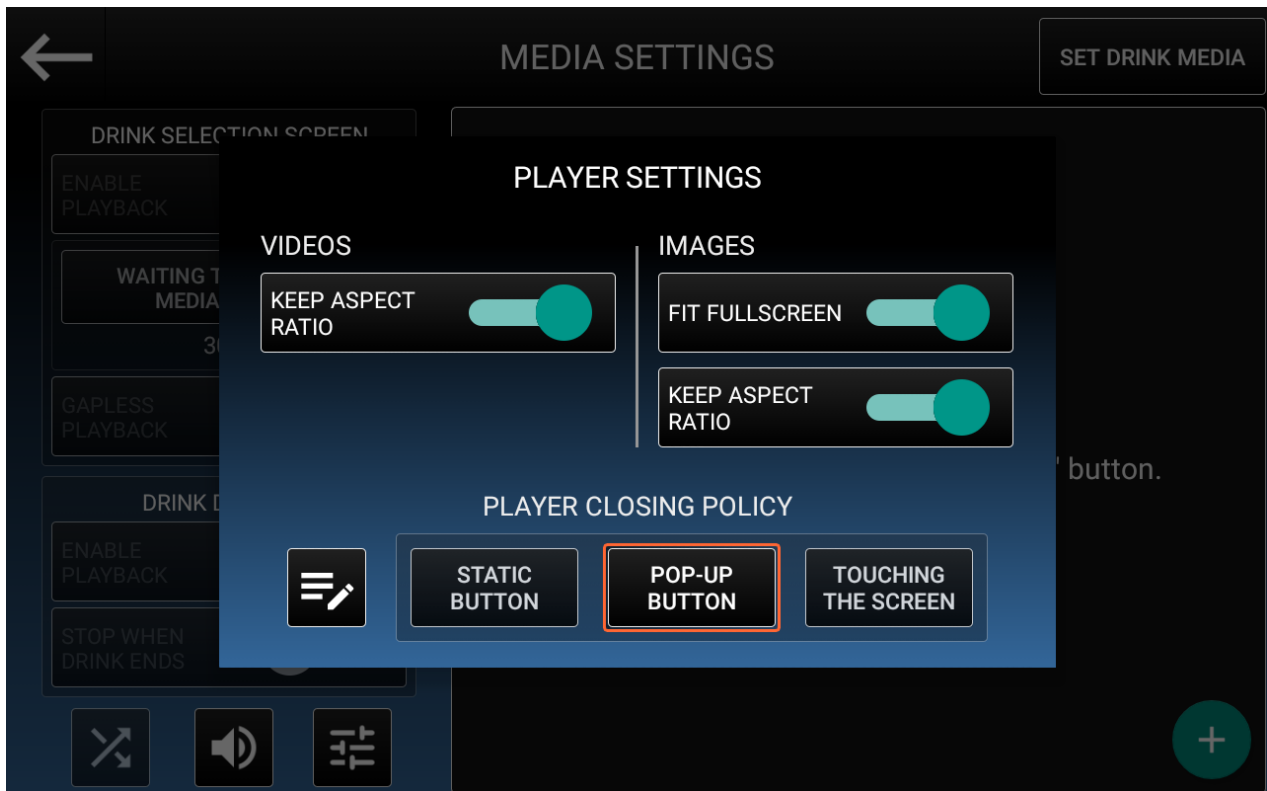


On the left side you can choose between many options, while on the right portion of the screen you'll be able to see the set playlist.

The possible operations to do are the following:

- **Enable Playback (Drink Selection Screen):** Enable the media playback while on the drink selection screen.
- **Waiting Time Before Starts (Drink Selection Screen):** Set the waiting time on the drink selection screen before starting the next media.
- **Gapless Playback (Drink Selection Screen):** When enabled, the next media in the queue will start upon the end of the previous one. When disabled, the player will wait the amount of time set in the above field between each media.
- **Enable Playback (Drink dispense):** Enable the media playback during the drink dispense.
- **Stop When Drink Ends (Drink dispense):** When enabled, the media will be stopped at the end of the drink dispense; When disabled, the application will wait for the end of the media before returning to the drink selection screen.

- : Enables the shuffle mode; When enabled, the player will be playing the items of the playlist in a random order. The shuffle mode is available only when 3 or more items are present in the queue.
- : Press to adjust the volume of the media player.
- : Press to see some options relative to the Media Player;



The possible operations to do are the following:

- Keep Aspect Ratio (Video):** By default, videos will be played fullscreen. Disable this option to match the video width and height to the touchscreen ones (1280 x 800), ignoring the original aspect ratio.
- Fit Fullscreen (Images):** Enable this option to adapt smaller images to the touchscreen size. If the original image is too small, it may appear blurry or pixelated.

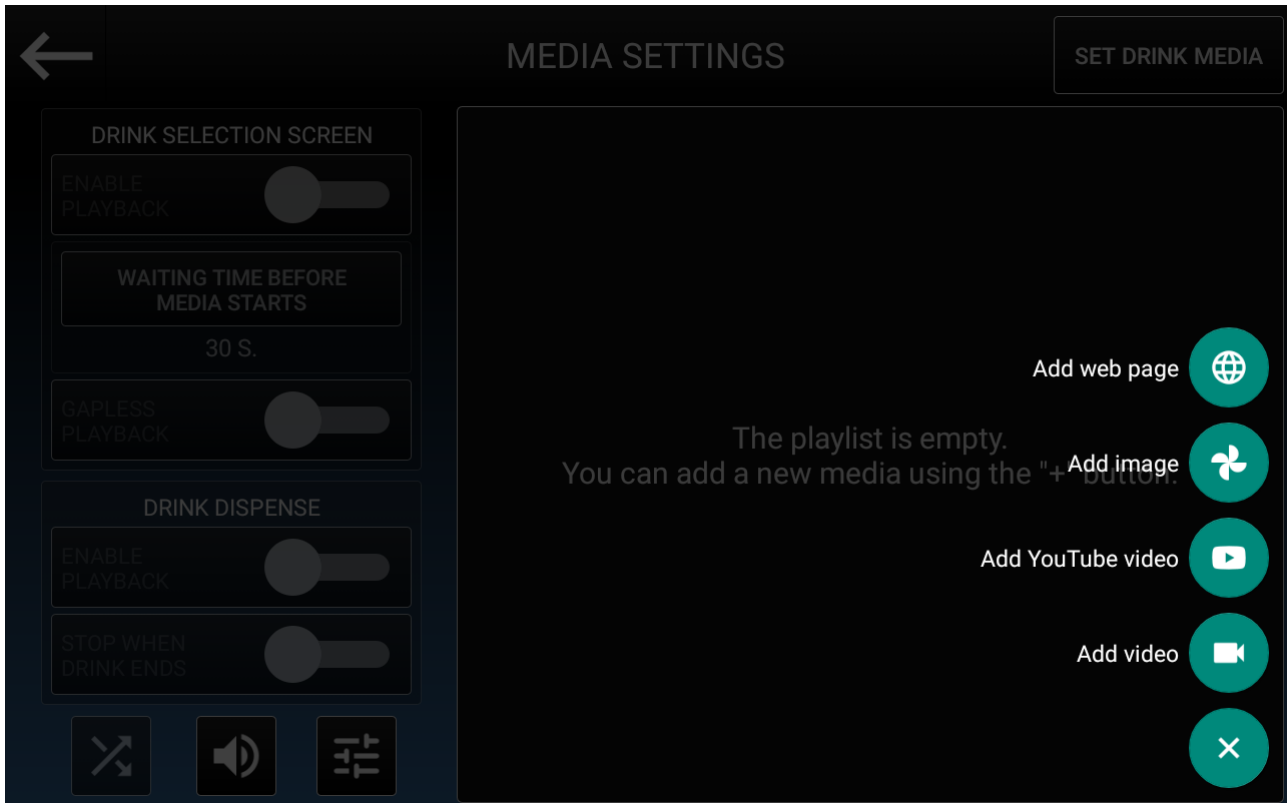
- **Keep Aspect Ratio (Images):** Only available when "Fit Fullscreen" is enabled. Disable this option to match the image width and height to the touchscreen ones (1280 x 800), ignoring the original aspect ratio.



- **Editing Instructions:** Here you can edit the instructions to be shown in the Player Button, therefore this option is not available when "Touching the screen" is selected.
- **Static Button:** A semi-transparent static button will be shown on the bottom of the player, that will close it when pressed.
- **Pop-Up Button:** A semi-transparent pop-up button will be shown on the bottom of the player, that will close it when pressed. The button will hide after a short amount of time, and it can be brought back in touching the screen.
- **Touching the Screen:** The player will close whenever someone touches the screen; This option will not be used for web sites.



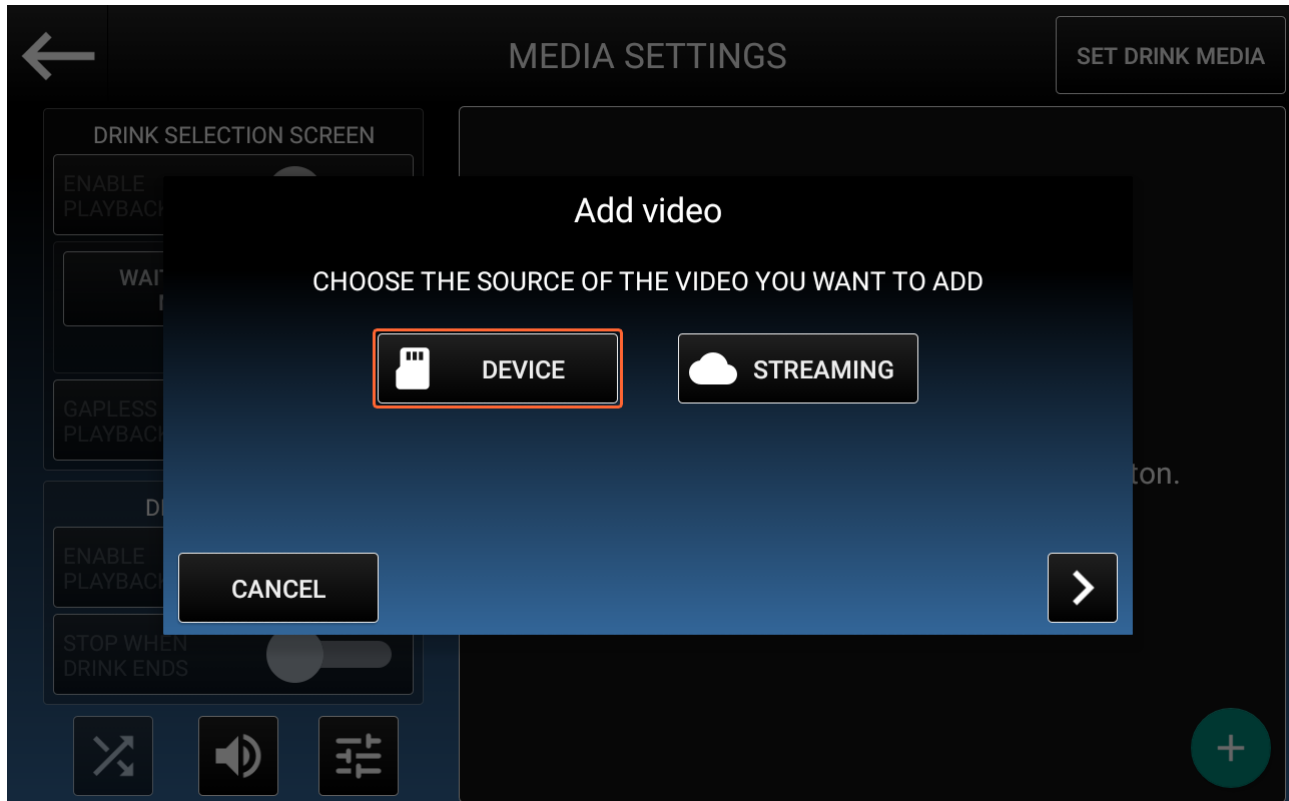
Press the button to reveal the following screen:




Based on the type of media you want to add, choose one of the following sections.

5.3.3.1 Add Video


Press on the "Add video" icon;
The following screenshot will appear on the touch screen.

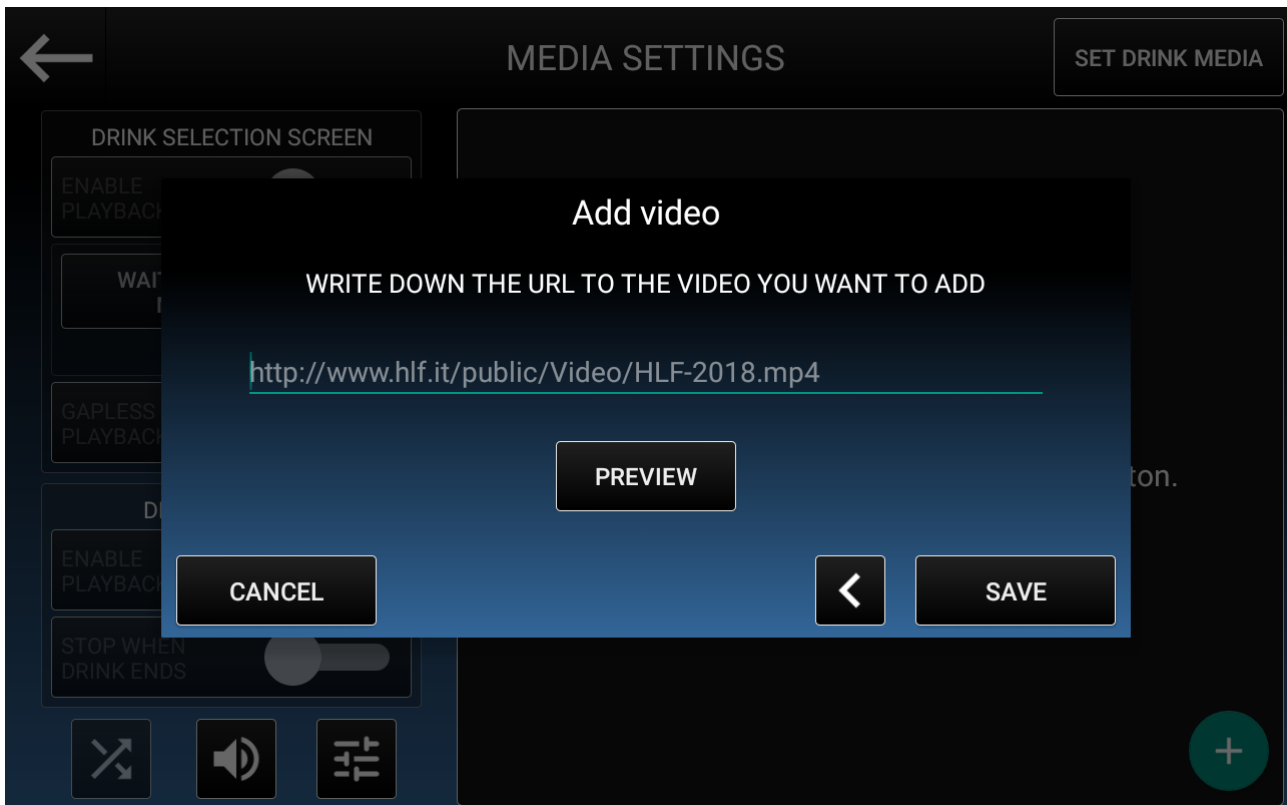


If you want to add a video from a local source (either the touchscreen memory or a USB

drive), choose **DEVICE** and press on ; You will be prompted to choose the desired file. Accepted video formats are .mp4 and .webm files.

If you want to add a video from a remote source, like a video stored in an FTP server,

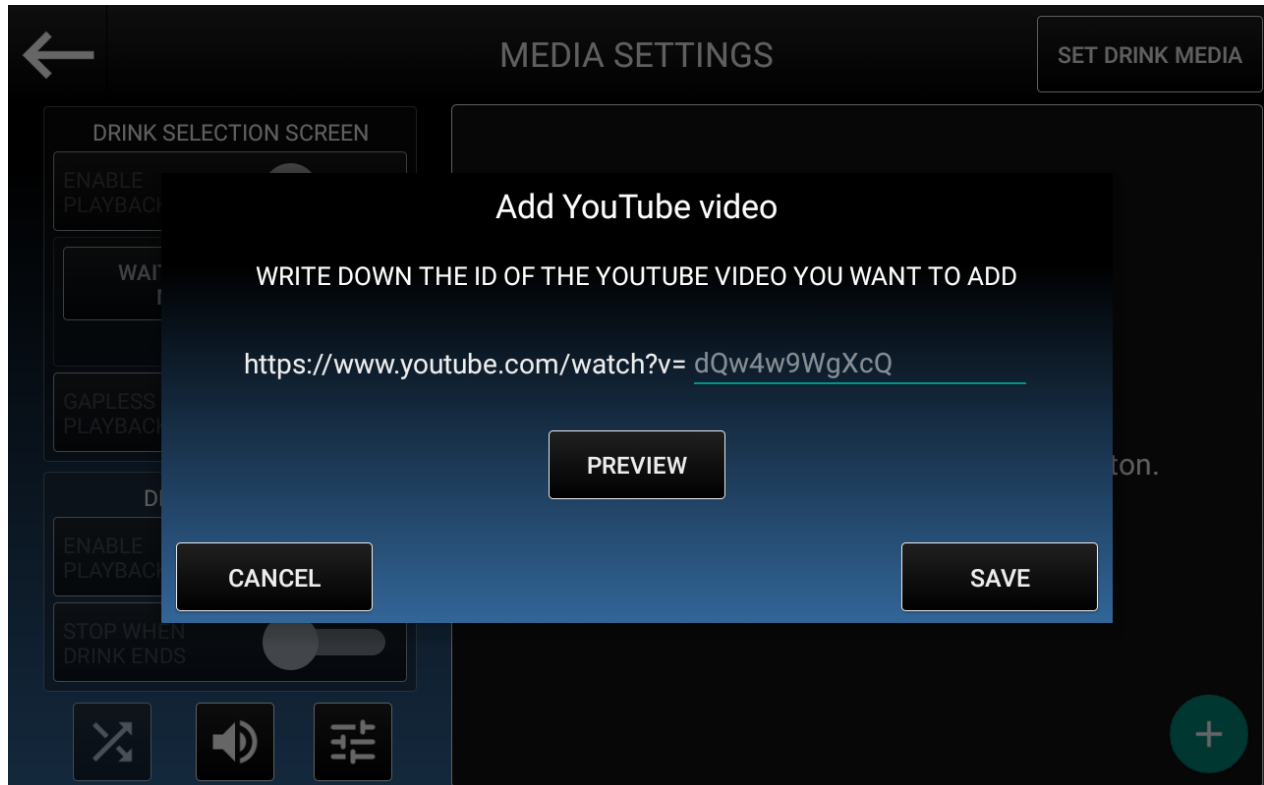
choose **STREAMING** and press on ; The following screenshot will appear on the touch screen.



You will be prompted to enter the correct URL to your video; If you have doubts, you can use the **PREVIEW** button to test the inserted URL at any moment.

5.3.3.2 Add YouTube Video

Press on the **Add YouTube video** icon;
The following screenshot will appear on the touch screen.



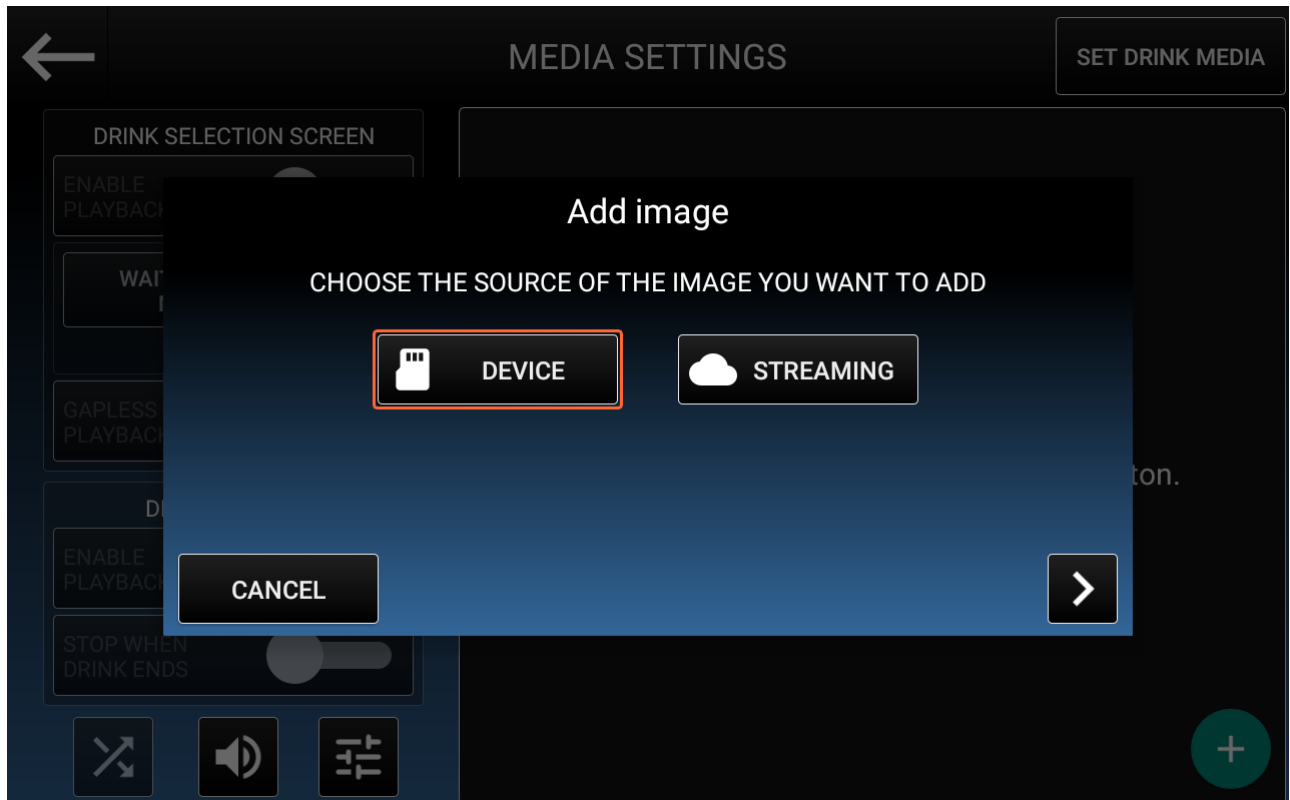
You will be prompted to enter the ID of a YouTube video; To retrieve it, either visit the desktop version of the YouTube page of the video you want to add and look up the URL bar, or use the YouTube app, share the video you want to add and check the resulting URL.

If you have doubts, you can use the **PREVIEW** button to test the inserted URL at any moment.

5.3.3.3. Add Image


Press on the **Add image** icon;

The following screenshot will appear on the touch screen.




If you want to add an image from a local source (either the touchscreen memory or a

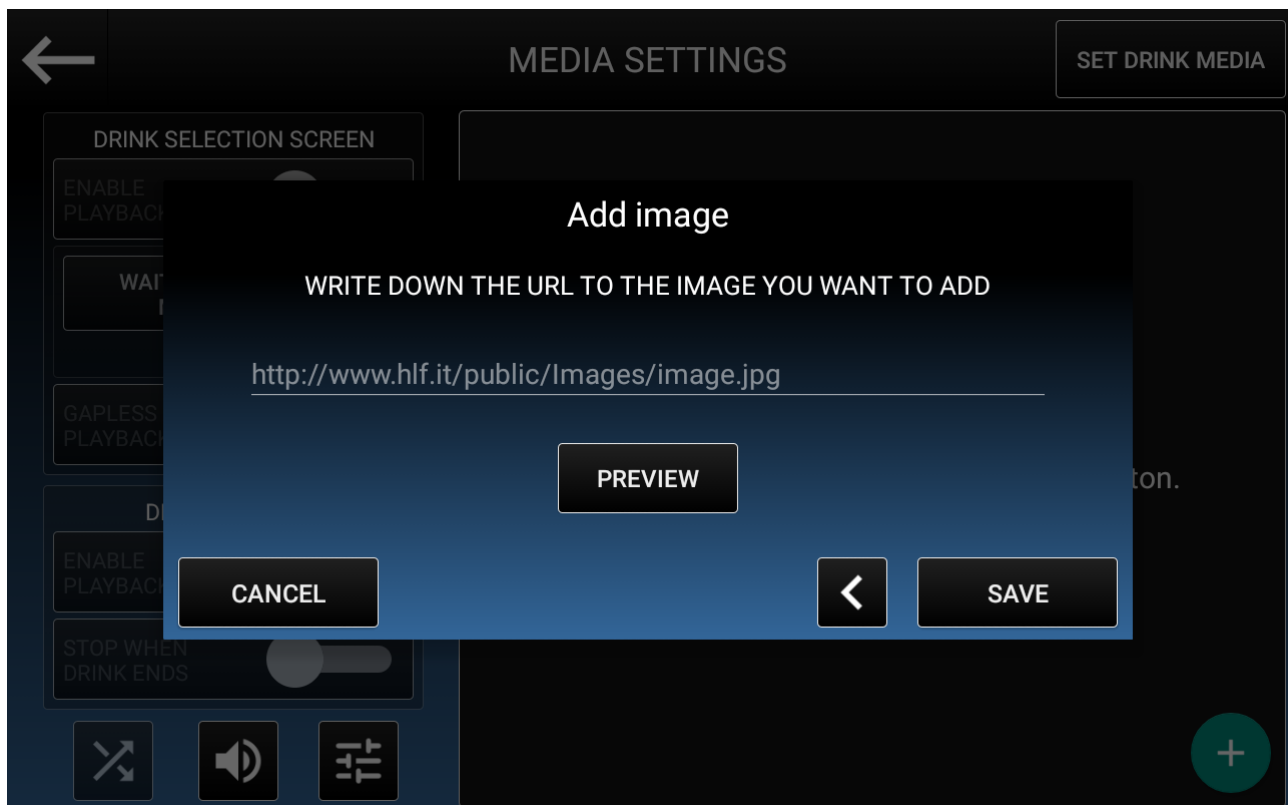


USB drive), choose **DEVICE** and press on ; You will be prompted to choose the desired file. Accepted image formats are .jpg, .jpeg, .png and .gif files.

If you want to add an image from a remote source, like an image stored in an FTP



server, choose **STREAMING** and press on ; The following screenshot will appear on the touch screen.

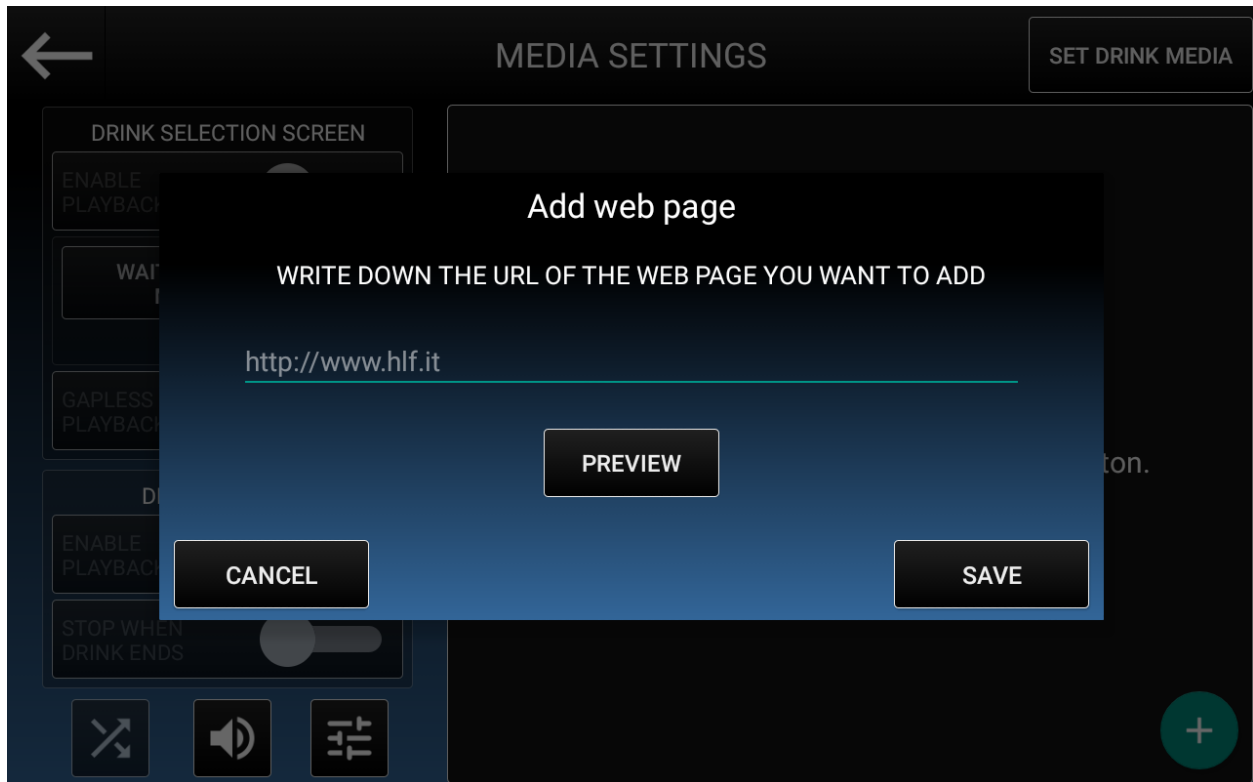


You will be prompted to enter the correct URL to your image; If you have doubts, you can use the **PREVIEW** button to test the inserted URL at any moment.

5.3.3.4. Add Web Page

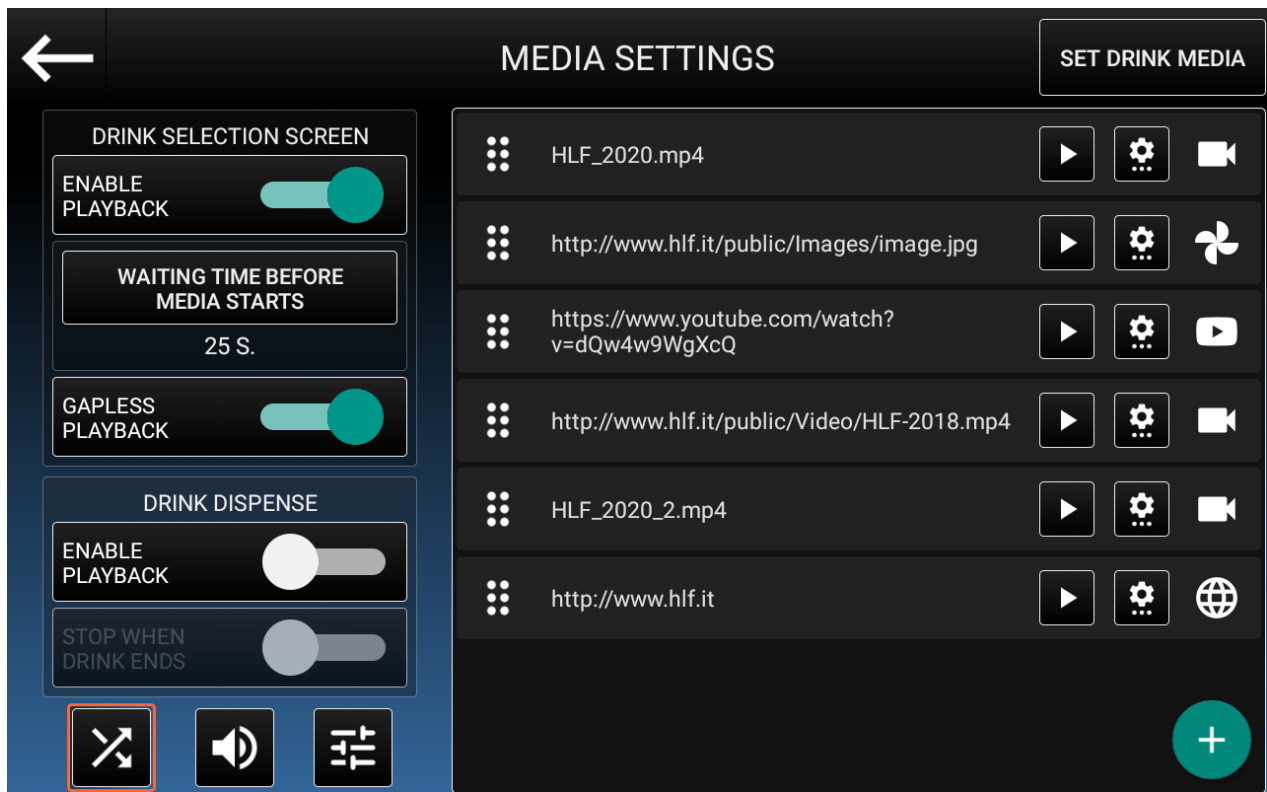
Press on the **Add web page** icon;

The following screenshot will appear on the touch screen.



You will be prompted to enter the URL of the web page you want to show. If you want a preview of it, you can use the **PREVIEW** button to test the inserted URL.

Here's what the playlist should look like after adding some media:




You can long press on each media element to highlight it, and drag it up and down your playlist; If you want to delete a media item from the playlist, you can swipe it away to the right or to the left.

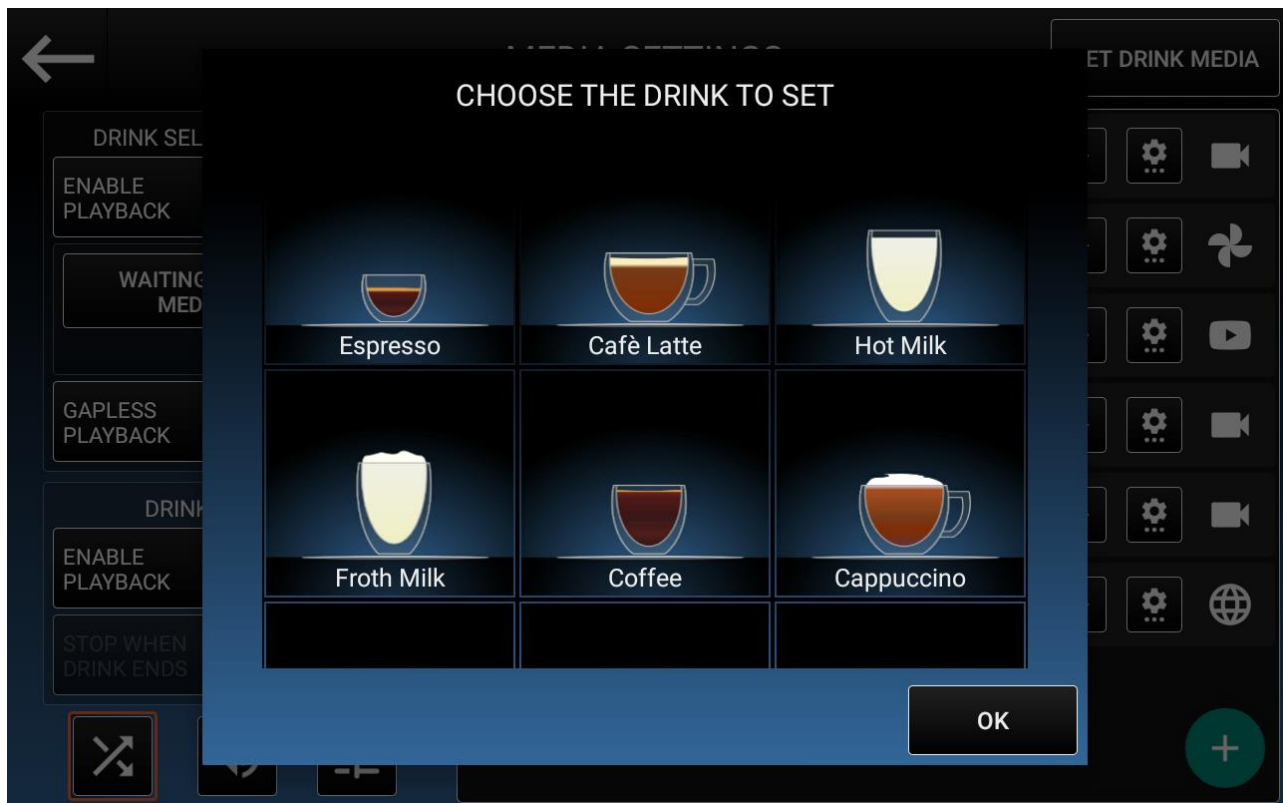


You can also use the  to play a preview of the selected media.



Use the button  to see the Media item options, that allows you to see some info about the media (name, width, height, length, size), remove it from the playlist, edit the ID/URL (if present) or set the media timeout (for images/websites).

If you want to play a media during a specific drink dispense, ignoring the curing playlist queue, you can use the **SET DRINK MEDIA**; Click on it to reveal the following screenshot, containing your current drink list:



Click on the desired drink to choose between a Video, Youtube, Image or Web Page media.

5.3.4 Counters

To access functions: push **Counters** and then choose the function.



You can choose between the following sections:

- Drinks
- Cleaning
- PSU Log
- Technical Data

5.3.4.1 Drinks Counters

Push **Drink Counters** key.

The following screenshot will appear on the touch screen.



The screenshot shows a dark-themed interface with a table of drink counts. A white arrow points left in the top-left corner. The table has three columns: 'N.', 'DRINK NAME', and 'DRINK COUNTERS'. To the right of the table are two buttons: 'ERASE' and 'DETAILS'.

N.	DRINK NAME	DRINK COUNTERS
1	Espresso	41
2	Cafè Latte	0
3	Hot Milk	3
4	Froth Milk	0
5	Coffee	0
6	Cappuccino	0
7	Chocolate	0
8	Lemon Tea	0
9	Americano	0
10	Mochaccino	0
11	Choco Milk	0
12	Hot water	22
	TOTAL	66
	ARCHIVE	45

The table will show how many drinks have been done for each button.

The possible operations to do are the following:

- **Erase:** after entering the password it is possible to select the drink archives to erase.
- **Details:** to get all the deliveries for each drink made from the machine.

5.3.4.2 Cleaning

Push **Cleaning** key.

The following screenshot will appear on the touch screen.



N.	CLEANING NAME	CLEANING COUNTERS
1	WHIPPER CLEANING	0
2	DAILY CLEANING	0
3	COFFEE GROUP CLEANING	0
4	ENTIRE CLEANING	0
5	HYDRAULIC LOADING	0
	TOTAL	0
	ARCHIVE	0

ERASE

DETAILS

ERASE ARCHIVE

The table will show how many cleaning processes have been done for each kind of cleaning.

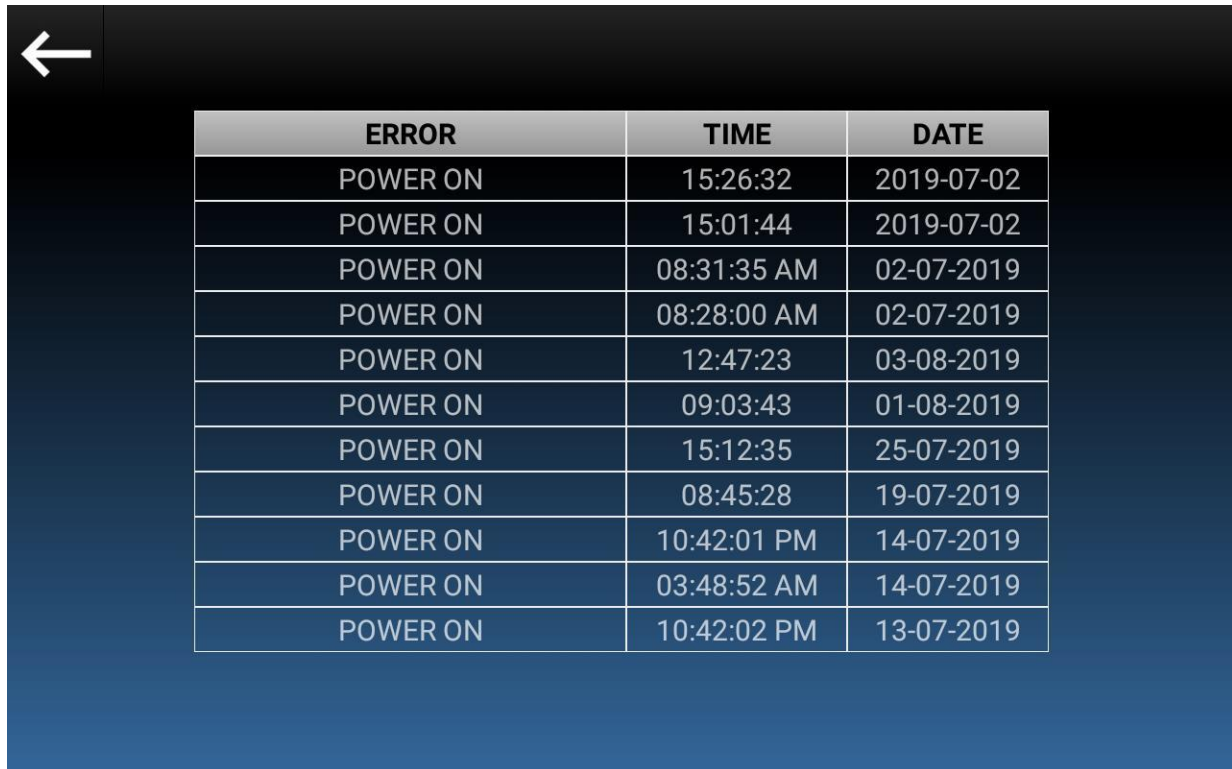
The possible operations to do are the following:

- **Erase:** after entering the password it is possible to select the cleaning cycles archives to erase.
- **Details:** to get all the cleaning processes made from the machine.

5.3.4.3 PSU Log

Push **PSU Log** key.

The following screenshot will appear on the touch screen.

A screenshot of a touch screen interface. On the left side, there is a white arrow pointing to the left. The main area of the screen displays a table with three columns: 'ERROR', 'TIME', and 'DATE'. The table contains 12 rows of data, all with 'POWER ON' in the 'ERROR' column. The 'TIME' and 'DATE' columns show various timestamps and dates from July 2019.

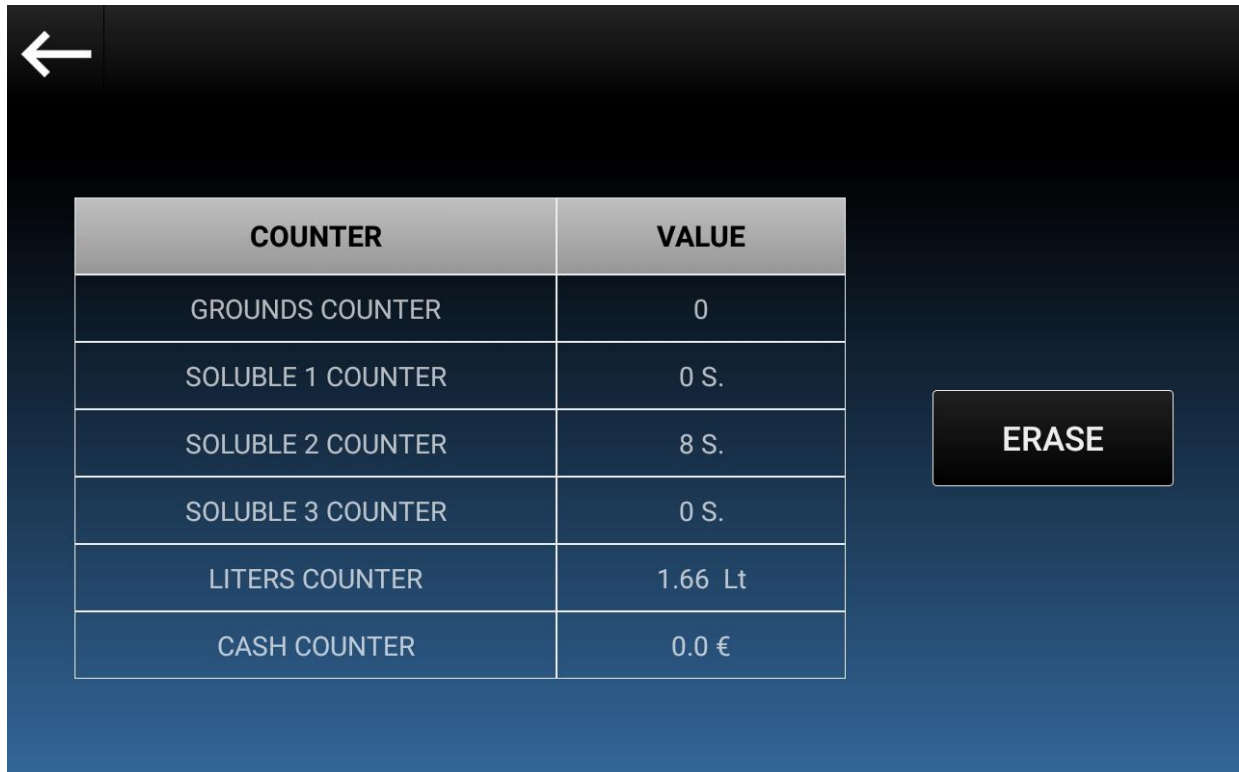
ERROR	TIME	DATE
POWER ON	15:26:32	2019-07-02
POWER ON	15:01:44	2019-07-02
POWER ON	08:31:35 AM	02-07-2019
POWER ON	08:28:00 AM	02-07-2019
POWER ON	12:47:23	03-08-2019
POWER ON	09:03:43	01-08-2019
POWER ON	15:12:35	25-07-2019
POWER ON	08:45:28	19-07-2019
POWER ON	10:42:01 PM	14-07-2019
POWER ON	03:48:52 AM	14-07-2019
POWER ON	10:42:02 PM	13-07-2019

It records the power outages caused by changes or lack of electricity or when the “Out of water” error is appeared.

5.3.4.4 Technical Data

Push **Technical Data** key.

The following screenshot will appear on the touch screen.



The screenshot shows a touch screen interface with a dark background. In the top left corner, there is a white left-pointing arrow. The main content is a table with two columns: 'COUNTER' and 'VALUE'. The table contains the following data:

COUNTER	VALUE
GROUNDS COUNTER	0
SOLUBLE 1 COUNTER	0 S.
SOLUBLE 2 COUNTER	8 S.
SOLUBLE 3 COUNTER	0 S.
LITERS COUNTER	1.66 Lt
CASH COUNTER	0.0 €

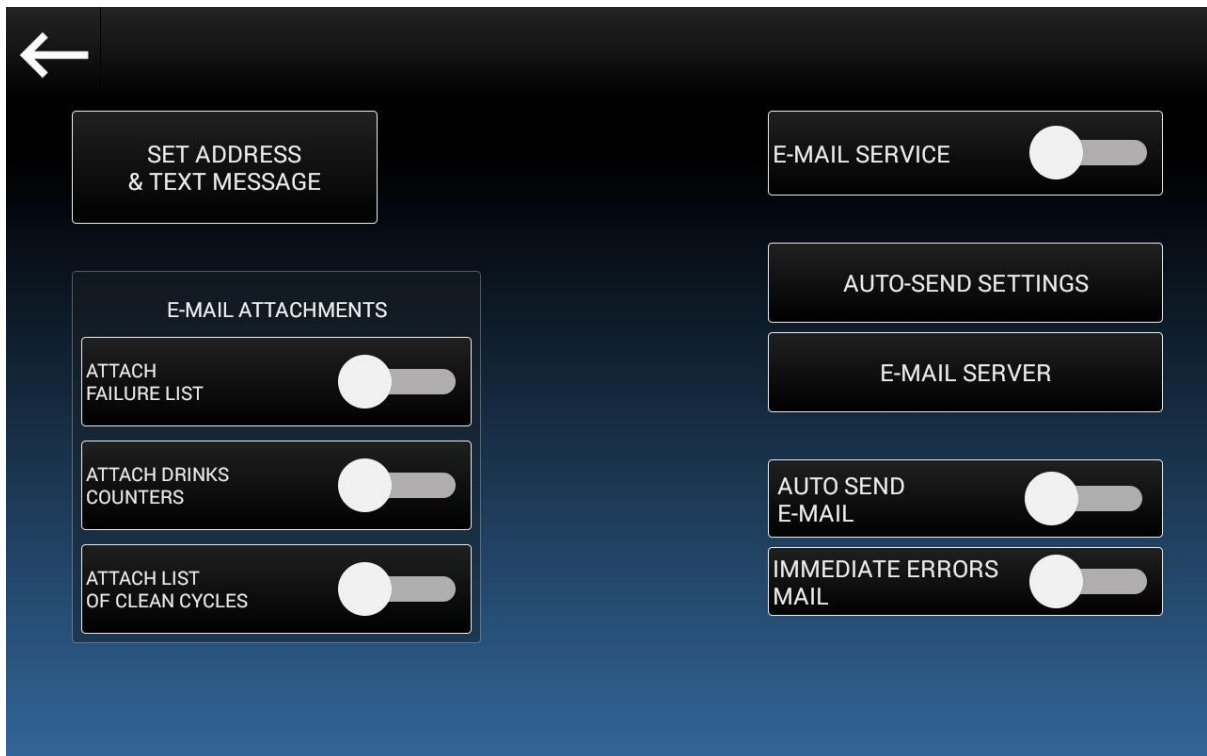
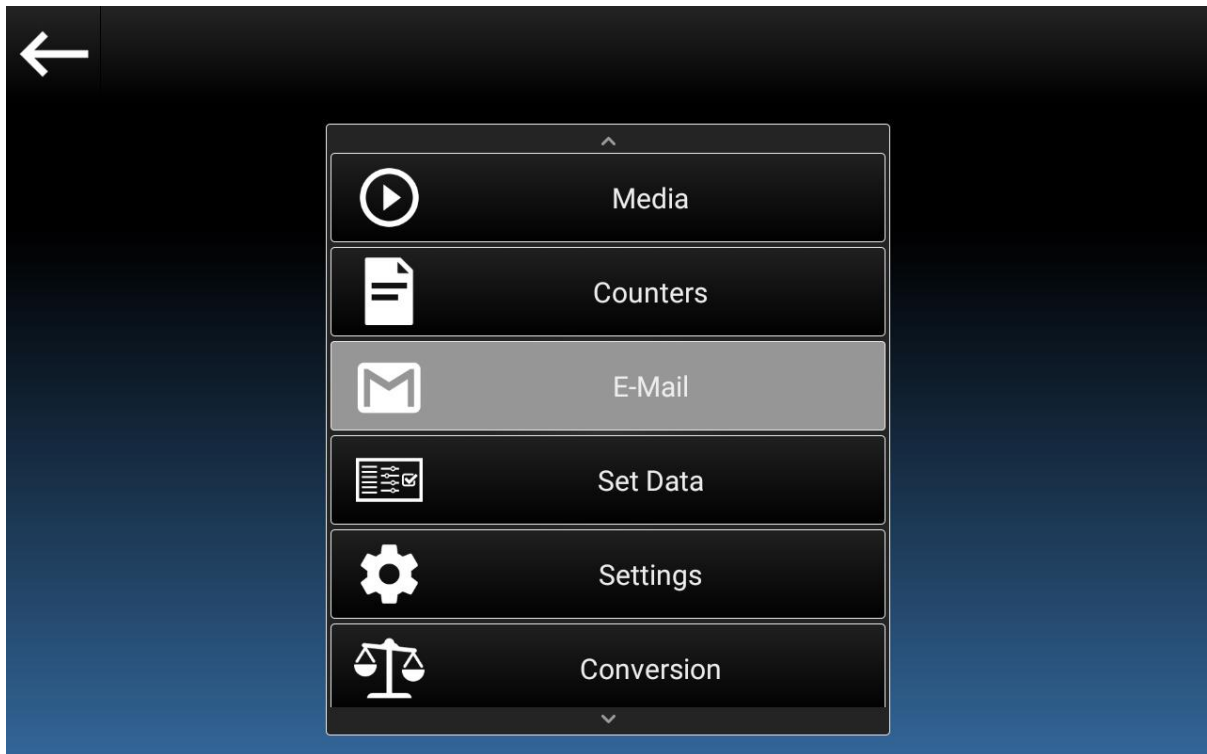
To the right of the table, there is a black button with the word 'ERASE' in white capital letters.

The possible operation to do is the following:

- Erase:** After entering the password it is possible to select which counters to reset.

5.3.5. Email

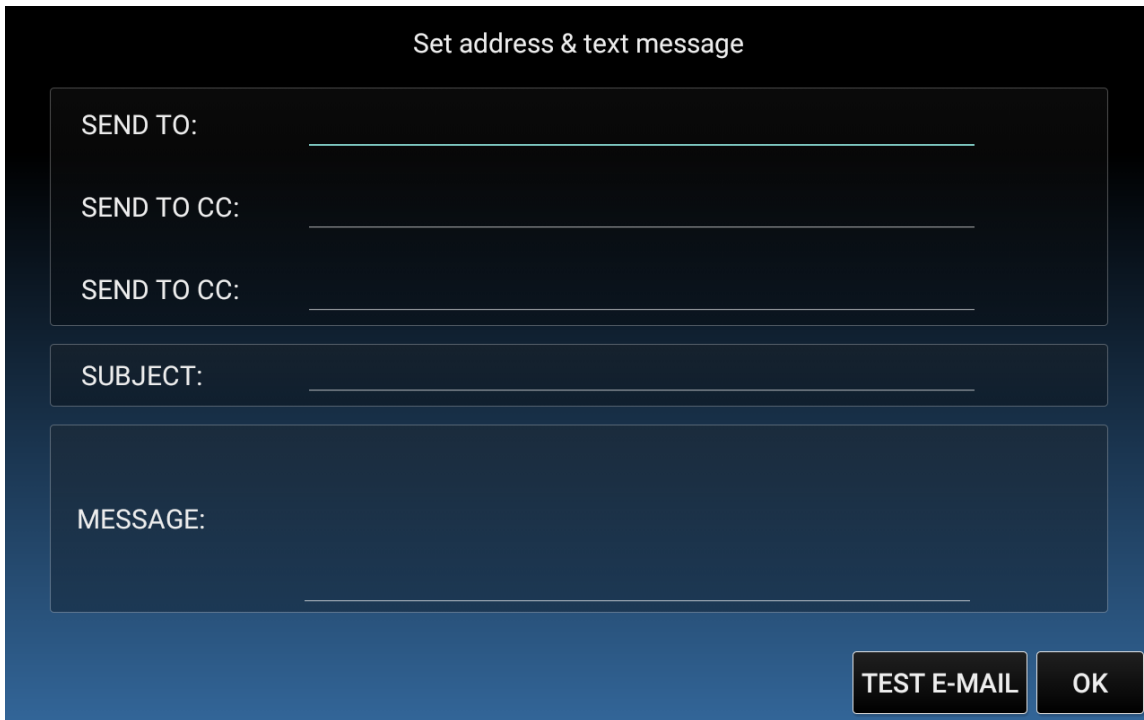
To access functions: push **Email** and then choose the function.



The possible operations to do are the following:

- **Set Address & Text Message:** enter the “Set Address & Text Message” screen.
- **Attach Failure List:** to enable the lists of errors that must be sent. Clicking on *Failure List* it is possible to select which errors to display on the email.
- **Attach Drink Counters:** to enable the lists of drink counters that must be sent.
- **Attach List of Clean Cycles:** to enable the lists of clean cycles that must be sent.
- **Email Service:** enable the function in order to activate all existing email settings.
- **Auto-Send Settings:** enter the “Auto-Send Settings” screen.
- **Email Server:** enter the server settings for outgoing emails.
- **Auto Send:** turn the function ON in order to enable the sending of emails based on the parameters entered in the *Auto-Send Settings*.
- **Immediate Errors Email:** turn the function ON in order to enable the sending of errors notified from the machine, regardless the sending settings in *Auto-Send Settings*.
- **Failure List:** to set the kind of errors that have to be sent.

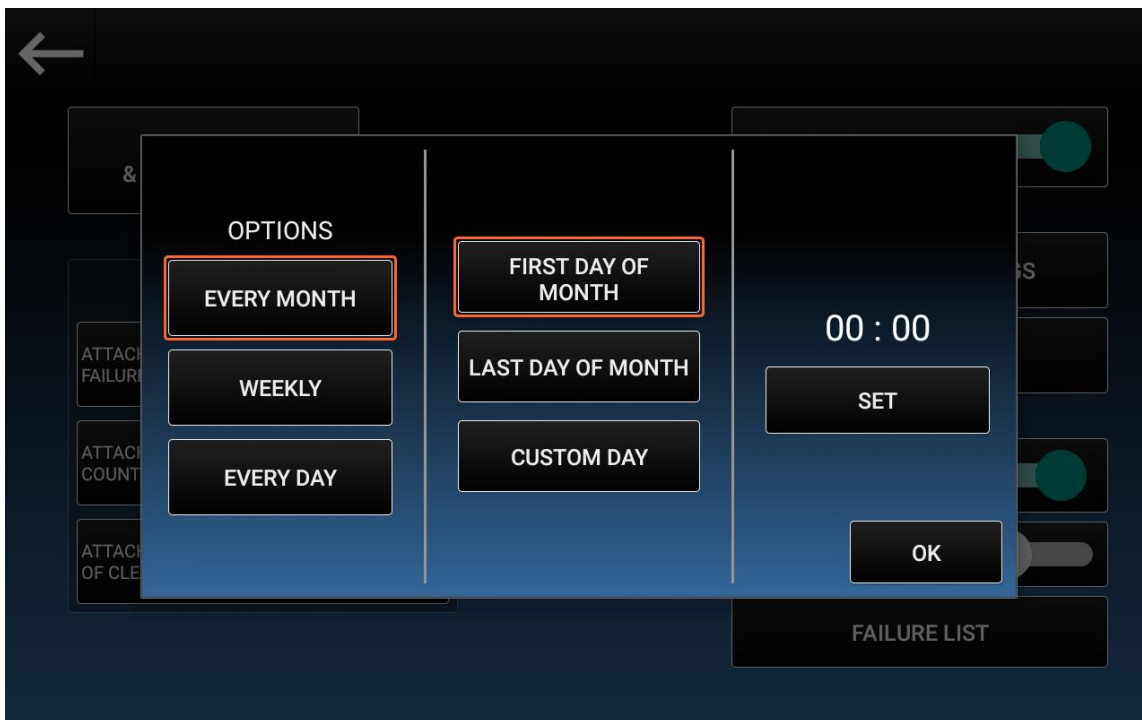
Pushing on the **Set address & Text Message** key this screenshot will appear:



The screenshot shows a dialog box titled "Set address & text message". It has a dark blue background with white text. The dialog contains four input fields: "SEND TO:", "SEND TO CC:", "SUBJECT:", and "MESSAGE:". Each field has a horizontal line indicating where to enter text. At the bottom right, there are two buttons: "TEST E-MAIL" and "OK".

Set email addresses and text message that have to be sent.

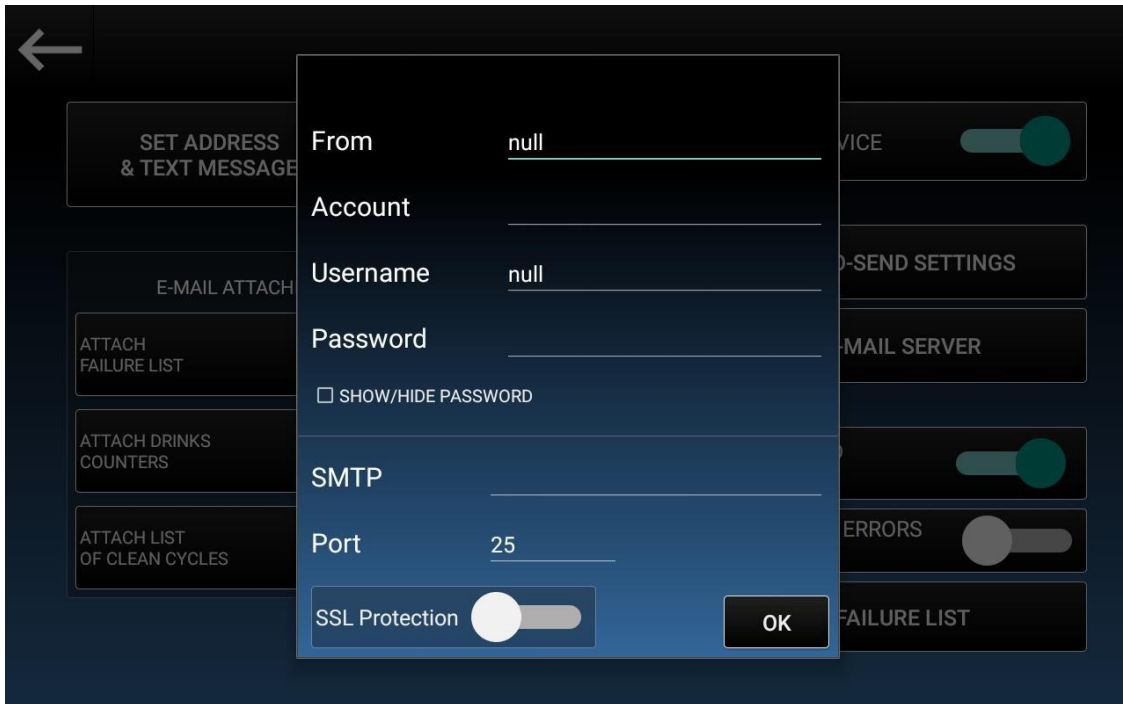
Pushing on the **Auto-send settings** key this screenshot will appear:



Here it is possible to set when the notification email should be sent. It is possible to choose the time of the email, along with three different configurations:

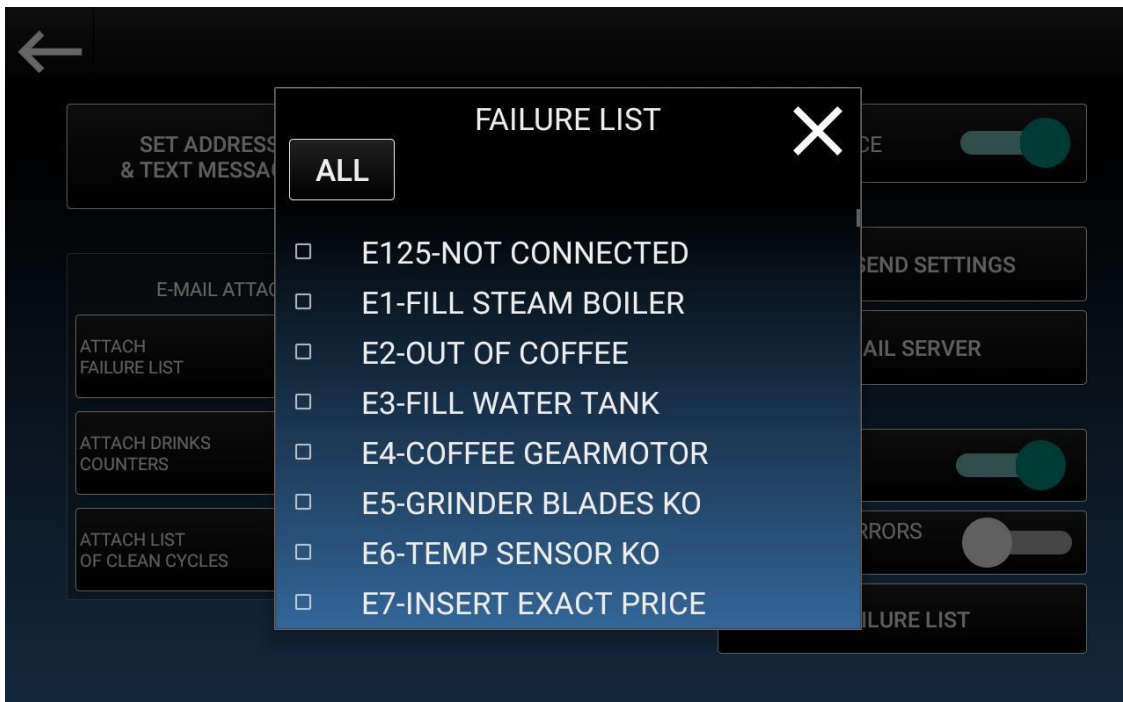
- **Every Month**, by choosing which day of month
- **Every Week**, by choosing which day of week
- **Every Day**

Pushing on the **Email Server** key this screenshot will appear:



It is possible to set all the options for the outgoing mail server.

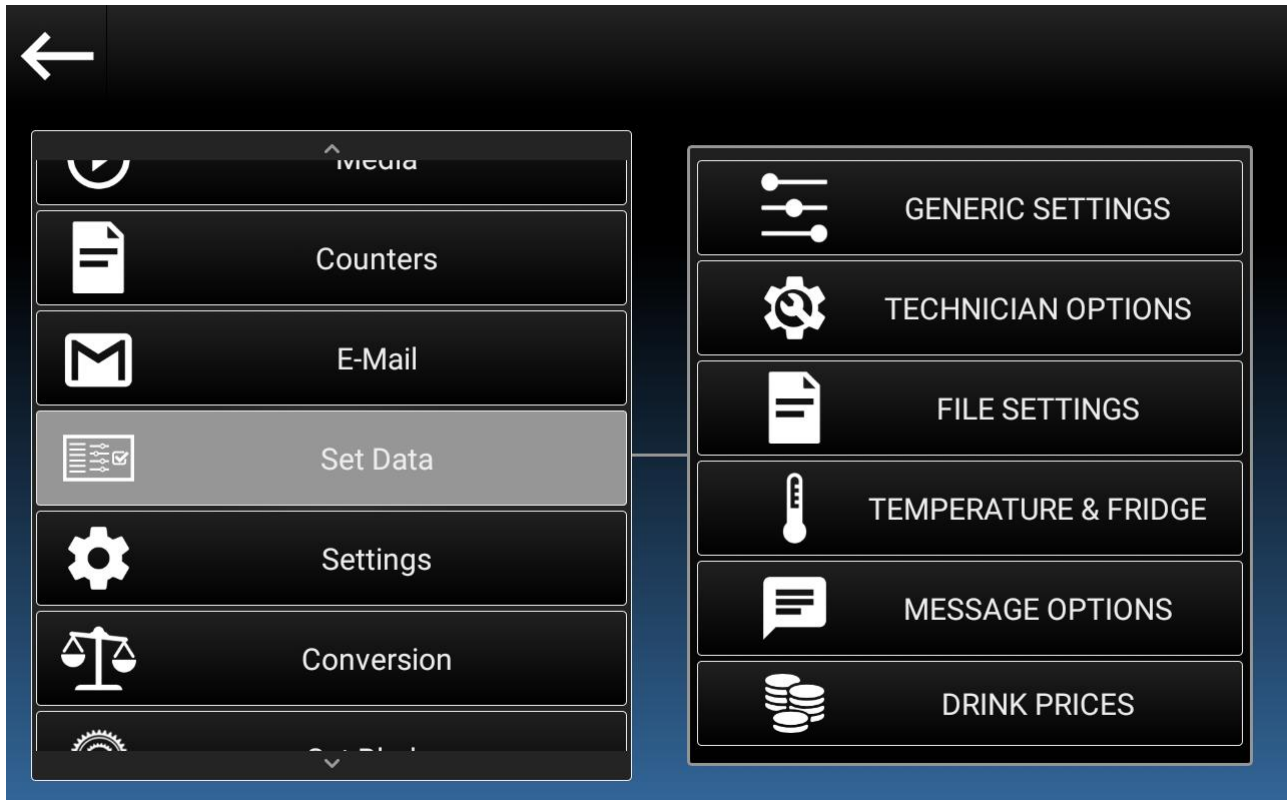
Pushing on the **Failure List** key this screenshot will appear:



It is possible to choose which error will be attached to the email or to attach all the error list.

5.3.6. Set Data

To access functions: push **Set Data** and then choose the function.



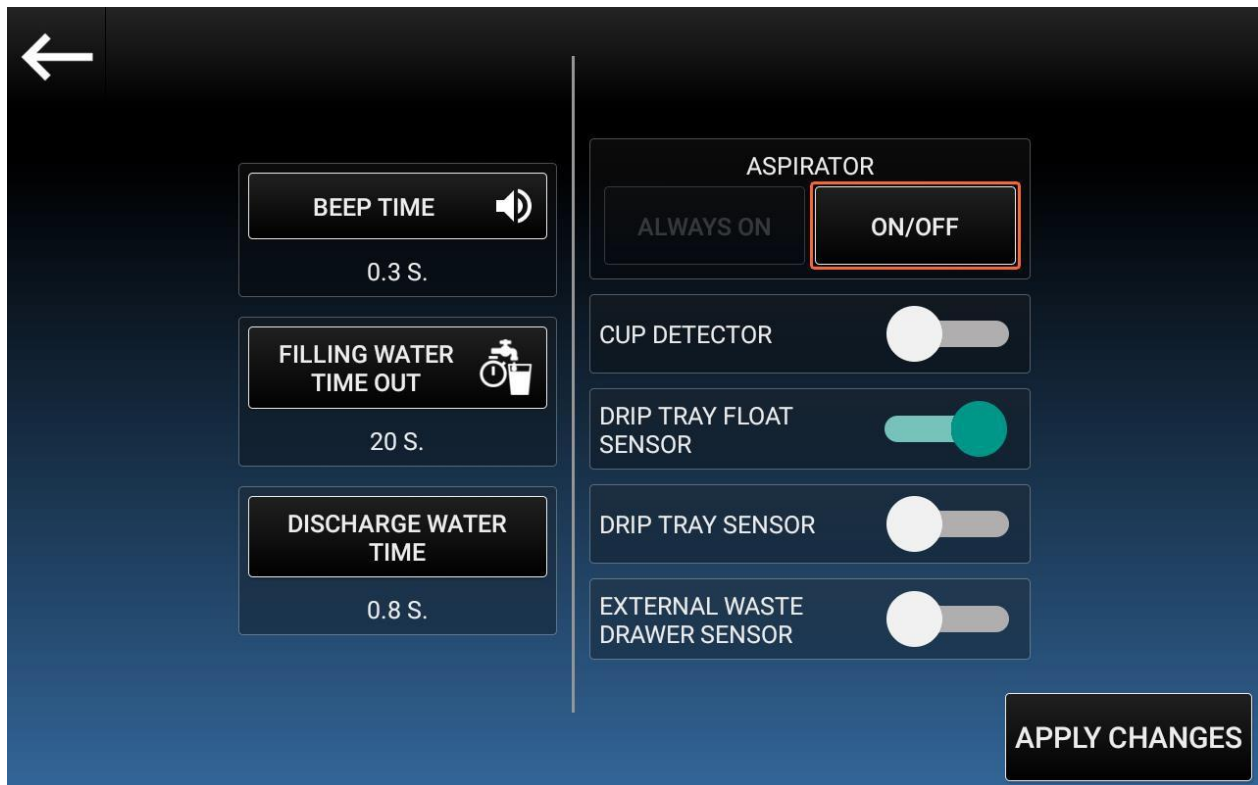
You can choose between the following sections:

- **Generic Settings**
- **Technician Options**
- **File Settings**
- **Temperature**
- **Message Options**
- **Drink Prices**

5.3.6.1 Generic Settings

Push **Generic Settings** key.

The following screenshot will appear on the touch screen.



The possible operations to do are the following:

- **Beep Time:** to set the beep time of the machine.
- **Filling Water Time Out:** time out within which the transparent tank on the back of the machine needs to be filled from the water line.
- **Discharge Water Time:** to discharge the initial water of the coffee boiler.
- **Cup Detector (optional):** turn this function ON in order to enable the sensor which detects the presence of the cup, carafe or any other container.

•**Aspirator**: this operates the fan installed inside the machine to take out the humidity left from the water that passed through the mixing bowl. It's important to keep the internal of the machine almost dry in order to prevent the coagulation of the instant soluble powders, which are very sensitive to dampness.

○ **Always On**: the aspirator is always on.

○ **Aspirator On/Off**: If this function is activated the aspiration fan works all the time, while if this function is deactivated, the aspiration fan will work only for the entire time of the drink process and for 90 seconds after the drink is finished.

Keeping the aspiration fan activated all time is recommended for those locations with high humidity, for all the other locations it's not necessary.

•**Drip Tray Float Sensor**: when function active, the machine automatically stops when the drip tray is full.

•**Drip Tray Float Sensor**: when function active, the machine automatically stops when the drip tray is full.

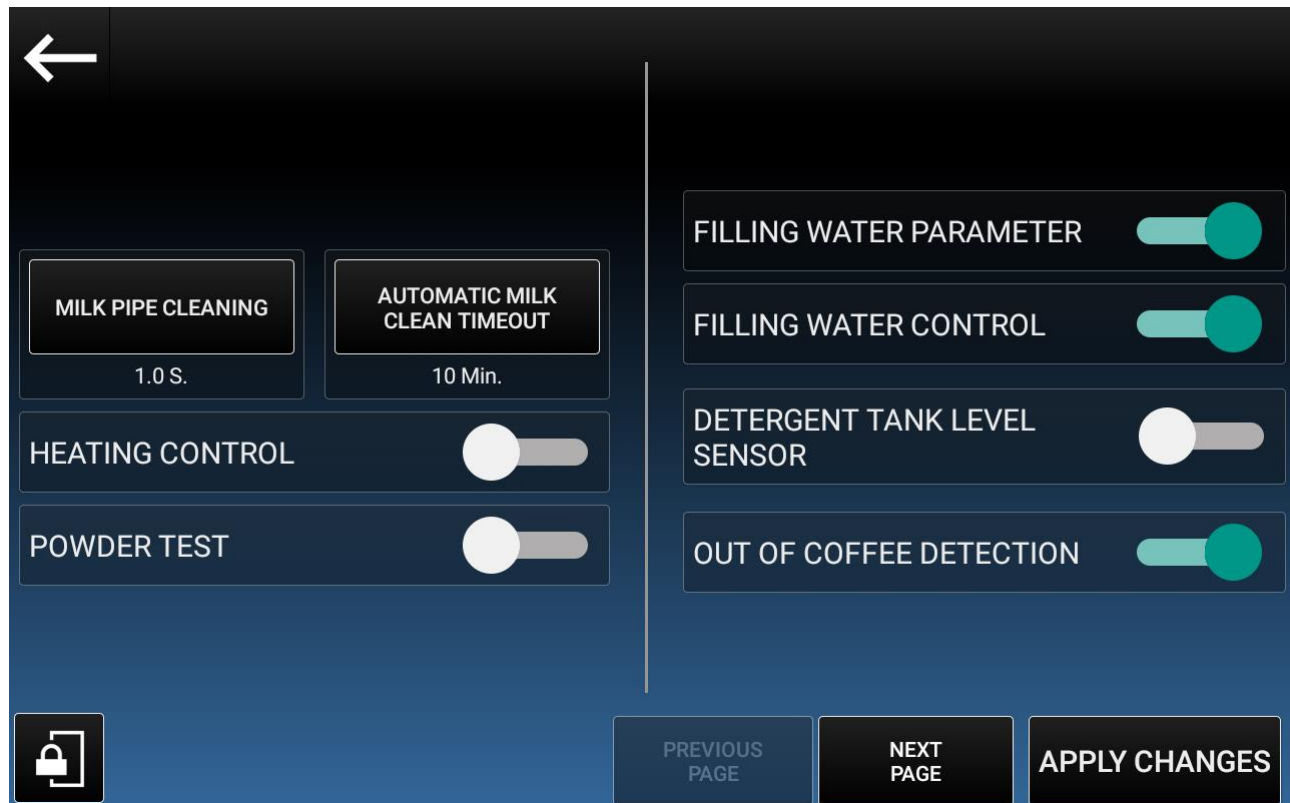
•**Drip Tray Sensor**: the sensor detects the presence of the drip tray.

•**External Waste Drawer Sensor (optional)**: when function active, the machine automatically stops when the external waste drawer is full.

5.3.6.2 Technician Options

Push **Technician Options** key.

The following screenshot will appear on the touch screen.



Technician options need to be set with care: they can change the general machine settings.

The possible operations to do are the following:

- **Milk Pipe Cleaning:** this is the cleaning time of milk pipe after a drink with fresh milk is dispensed. It depends on the pipe length.
- **Automatic Milk Clean Timeout:** set the time (expressed in minutes), in order to start the cleaning of the final part of the milk tube. The process will be started after the last milk-based drink is delivered (according to the set time).
Warning: hot water will come out from the drink spouts of the cup station.
A visual and sound warning message will be displayed few seconds before the start.
- **Heating Control:** this function controls the heating temperature during the first start and secure the boiler in case of extraordinary maintenance.

- **Filling Water Control:** if active, the machine checks to have the correct quantity of water before dispensing a drink.

Filling Water Control OFF: if this function is deactivated, the machine makes beverages even if the correct level of water has not been reached.



WARNING

Before activating this option, be sure that the Minimum Requirements indicated on paragraph 3.2.1 have been complied with, in order to avoid a block of Fresh Milk Cleaning process.

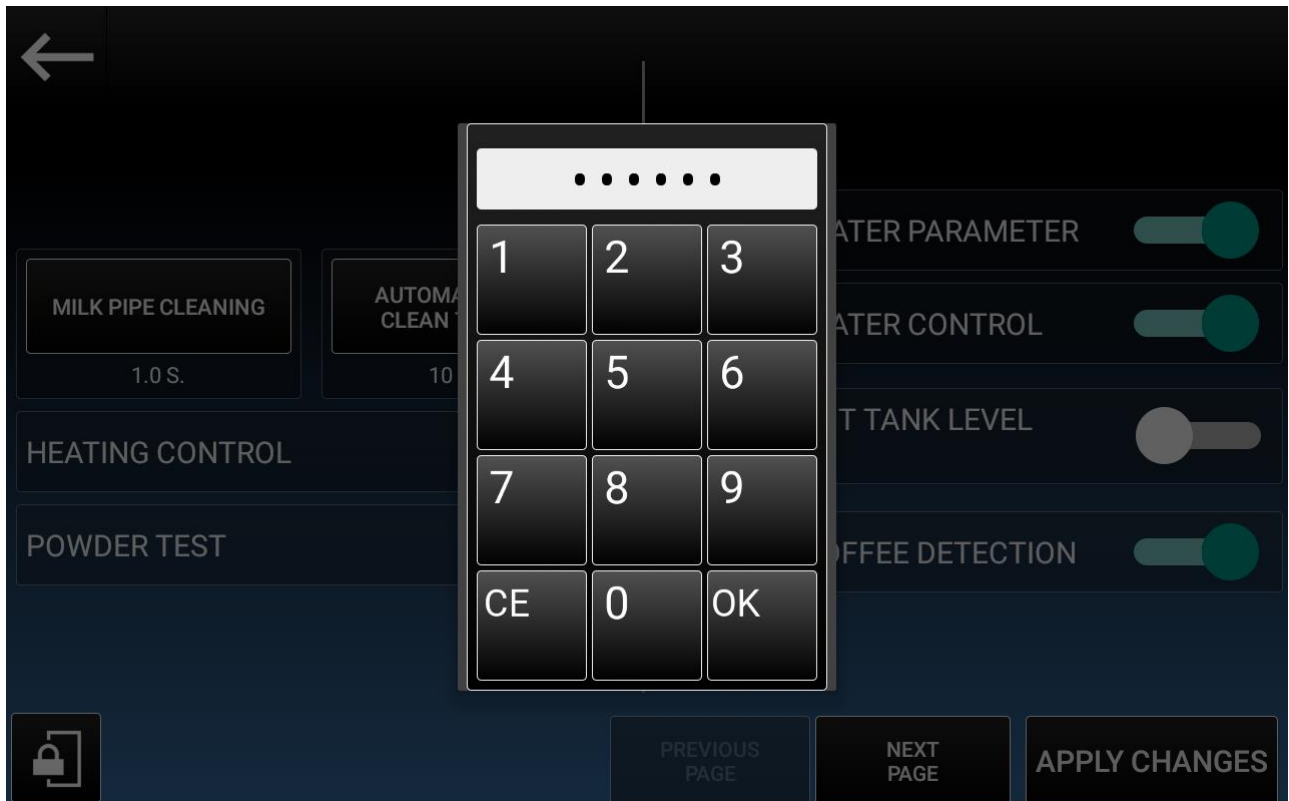
If this function is deactivated, the user takes on the full responsibility for any block of the machine due to any hydraulic circuit malfunctioning.

- **Filling Water Parameter:** when active, the water filling stops after a preset time, usually 20 seconds.
- **Powder Test:** this function allows to weight the quantity of ingredients used in a drink. Remove the coffee group and the mixing bowl before to start the test.
- **Detergent Tank Level Sensor:** when active, the machine will show an alarm when the detergent is about to end (~ 200ml)
- **Out of coffee Detection:** when active, the machine will show an error when the grinder is not grinding enough coffee to make a proper coffee ground.
- **Coffee Group Heating Up For Raising Temp:** the coffee group is heated with hot water when, after the inactivity set on the "*Raising Temperature Timeout*", a beverage set as "*Rise Temperature First Coffee: active*" is selected. Activate this function or not, according to the type of coffee group (check with your supplier).

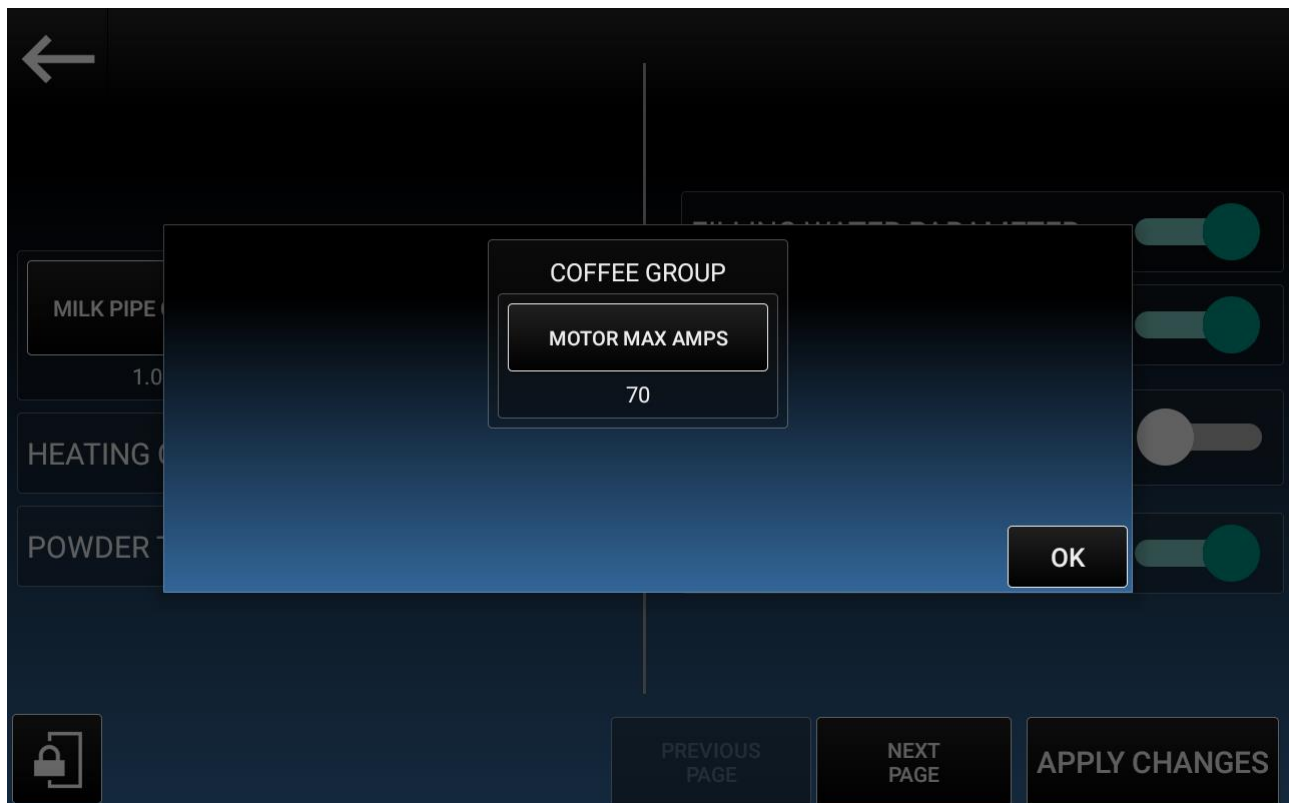
With the following icon, you can access to the settings of the *Coffee Group*.



Enter the password (**987654**) and then push **OK**.



The following screenshot will appear on the Touch Screen.

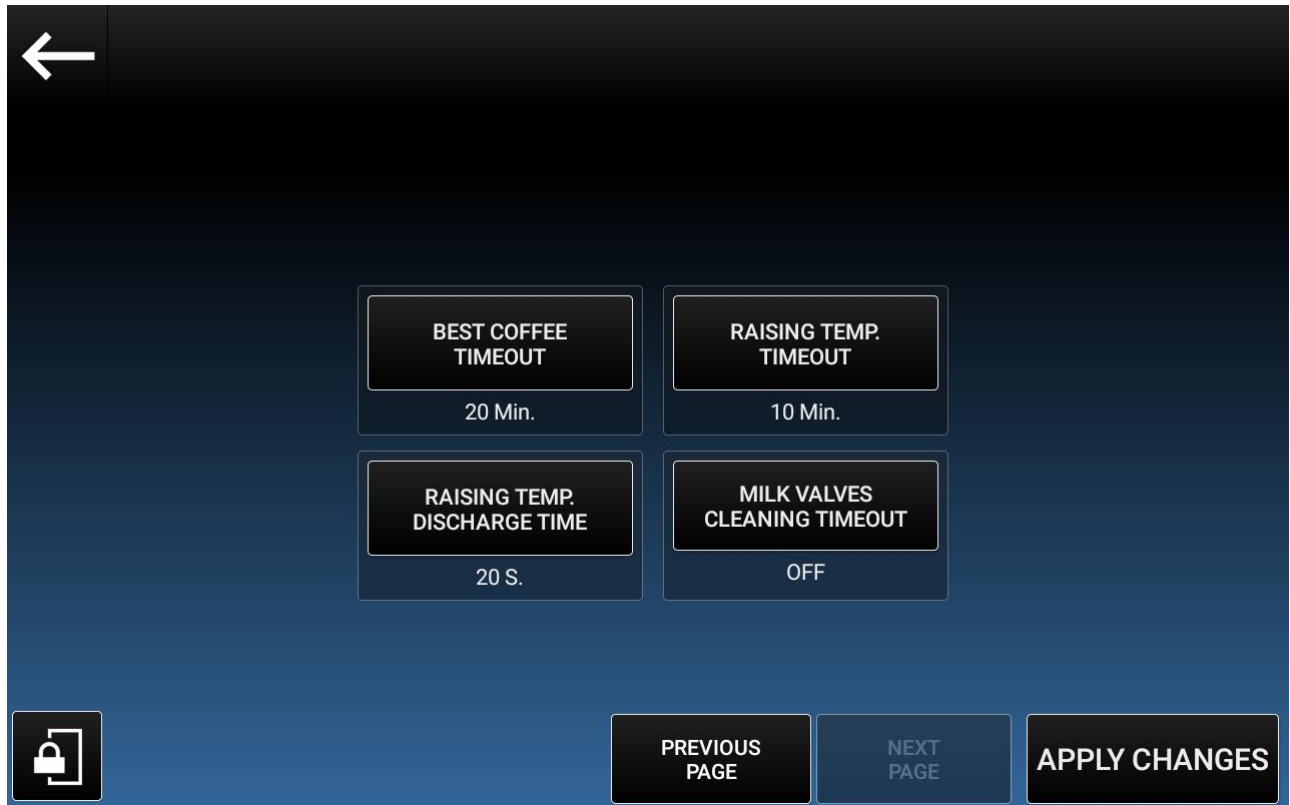


ATTENTION! Do not change any parameter before have called the HLF Technical Support

The possible operations to do are the following:

- **Coffee Group Motor Max Amps:** to change the electrical threshold of the Coffee Group.
Min: 40; Max: 80.

You can press on **Next Page** to see more options.

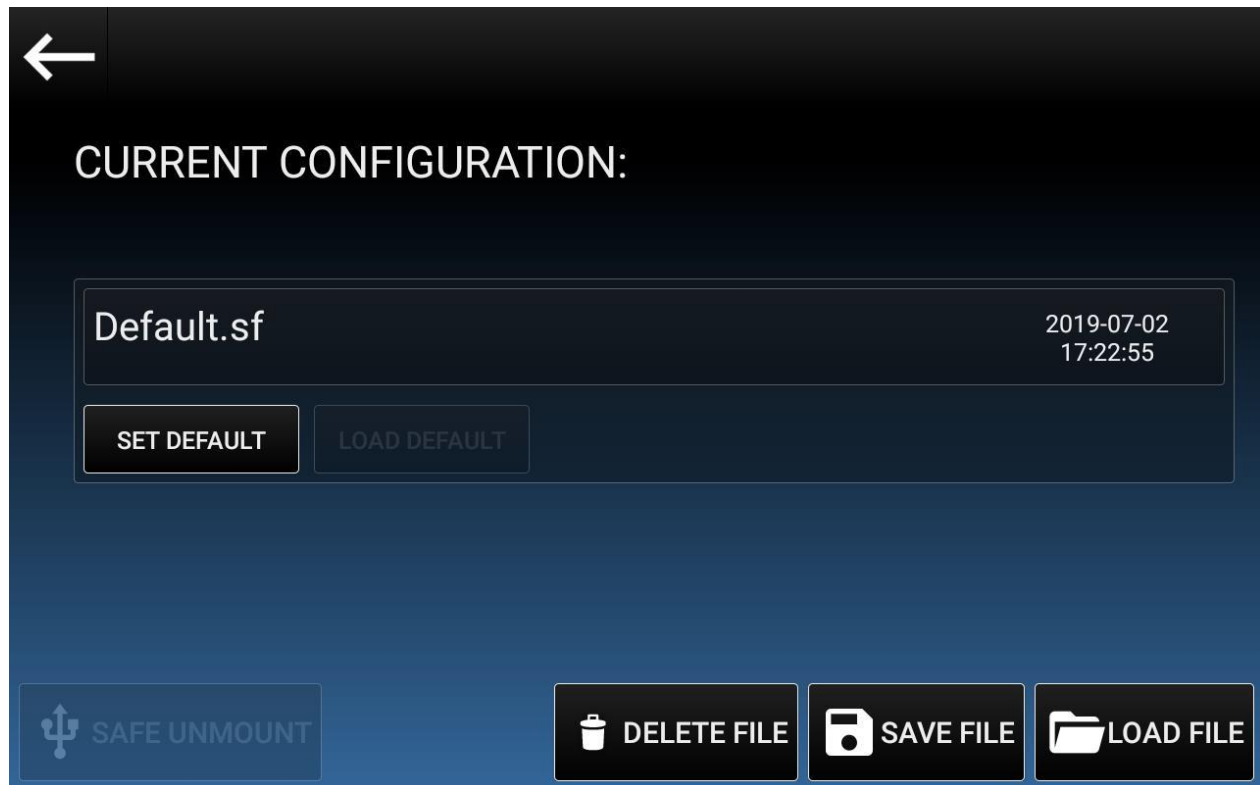


- **Best Coffee Timeout:** set the time (expressed in minutes) after which a Best Coffee is dispensed. The countdown will start after the last coffee-based drink is delivered. This process will occur only if Best Coffee option is activated (see par.5.3.2.1.3 “Coffee Options”)
- **Raising Temperature Timeout:** set the time (expressed in minutes) after which a coffee is dispensed. During this supply there will be an increase of the temperature of the water that pass through the Coffee Group. This coffee will be directly discharged on the drip tray before the delivery of the selected beverage.
- **Raising Temperature Discharge Time:** quantity of water (expressed in seconds) used in the *Raising Temperature Timeout* process.
- **Milk Valves Cleaning Timeout:** set the time (expressed in minutes), in order to start the cleaning of milk circuit's valves. This process will start automatically once the timeout is set (10min.-120min.). Set the timeout to 0 to disable the automatic cleaning. The water will flow directly to the drip tray during this cleaning cycle.

5.3.6.3 File Settings

Push **File Settings** key.

The following screenshot will appear on the touch screen.

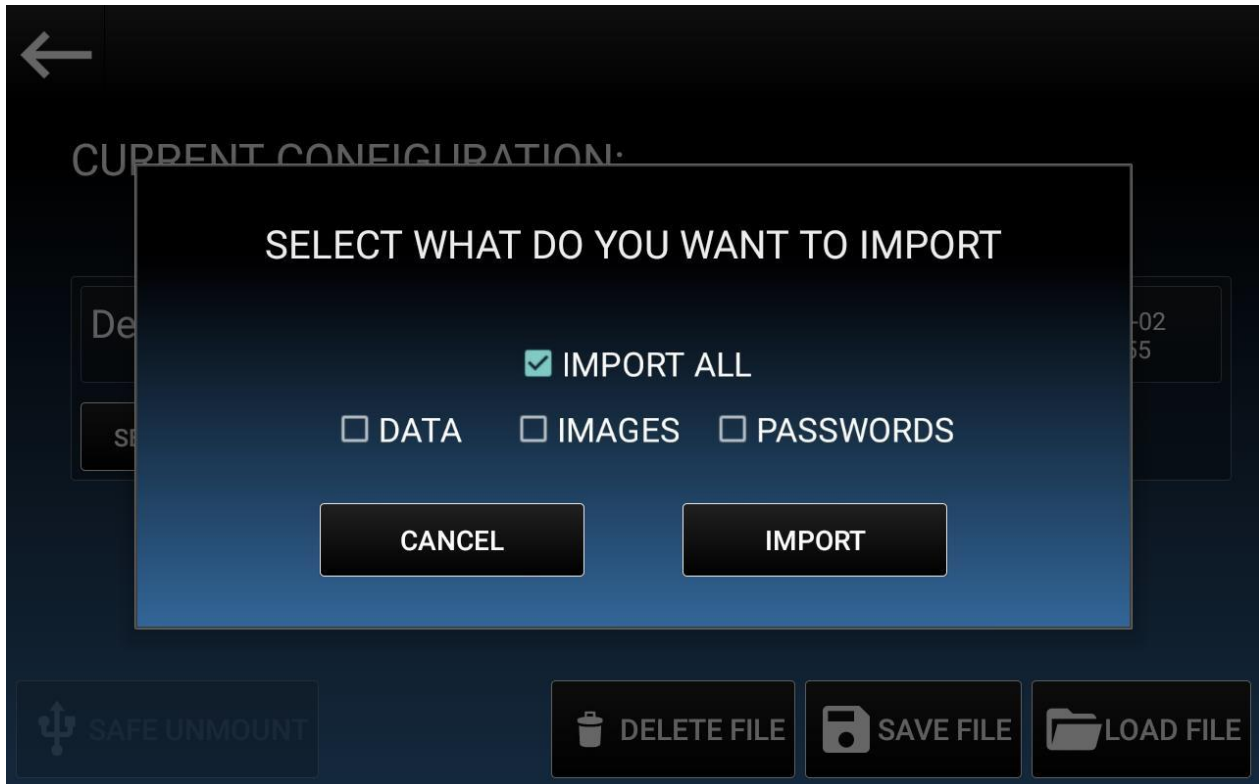


In this section it is possible to import or export machine configuration files (for drinks and layout).

The possible operations to do are the following:

- **Set Default:** set the current configuration of drinks and layout as default.
- **Load Default:** factory settings are loaded
- **Delete File:** it opens the list of the files saved on the Touch Screen. Select the file to delete (is not possible to delete the file in use)
- **Save File:** select the file to overwrite or push on the save icon to save the file as.
- **Load File:** select the file to load.

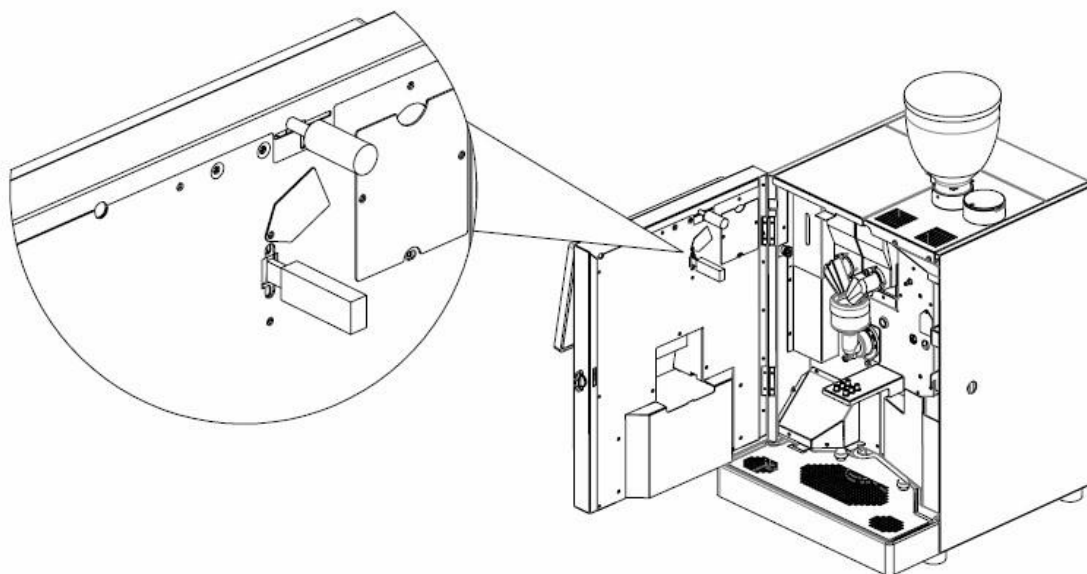
When the file that will be upload is selected, the following screenshot will appear:



It is possible to choose which settings will be uploaded from the file.

5.3.6.3.1 Files upload via USB

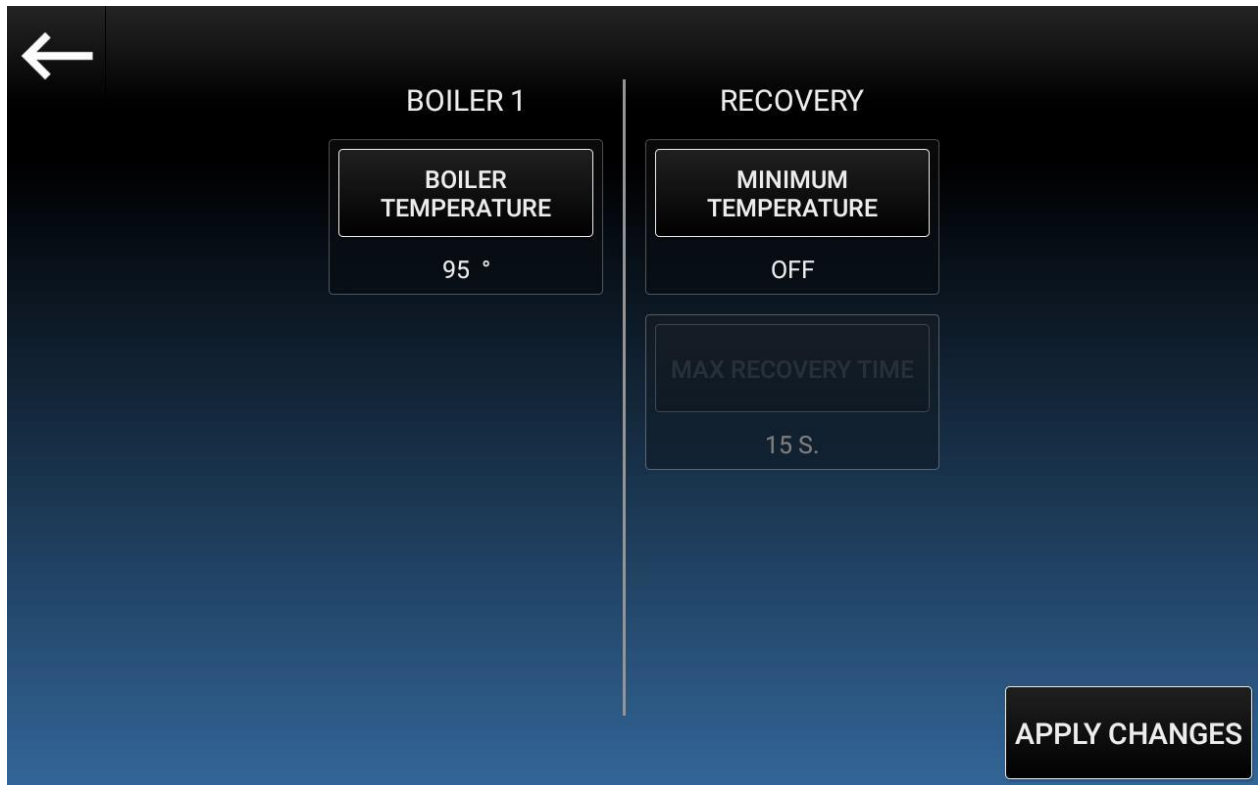
In order to upload files via USB, plug the USB stick into the USB port, as shown below.



5.3.6.4 Temperature

Push **Temperature** key.

The following screenshot will appear on the touch screen. This function allows to change the drink process temperature.



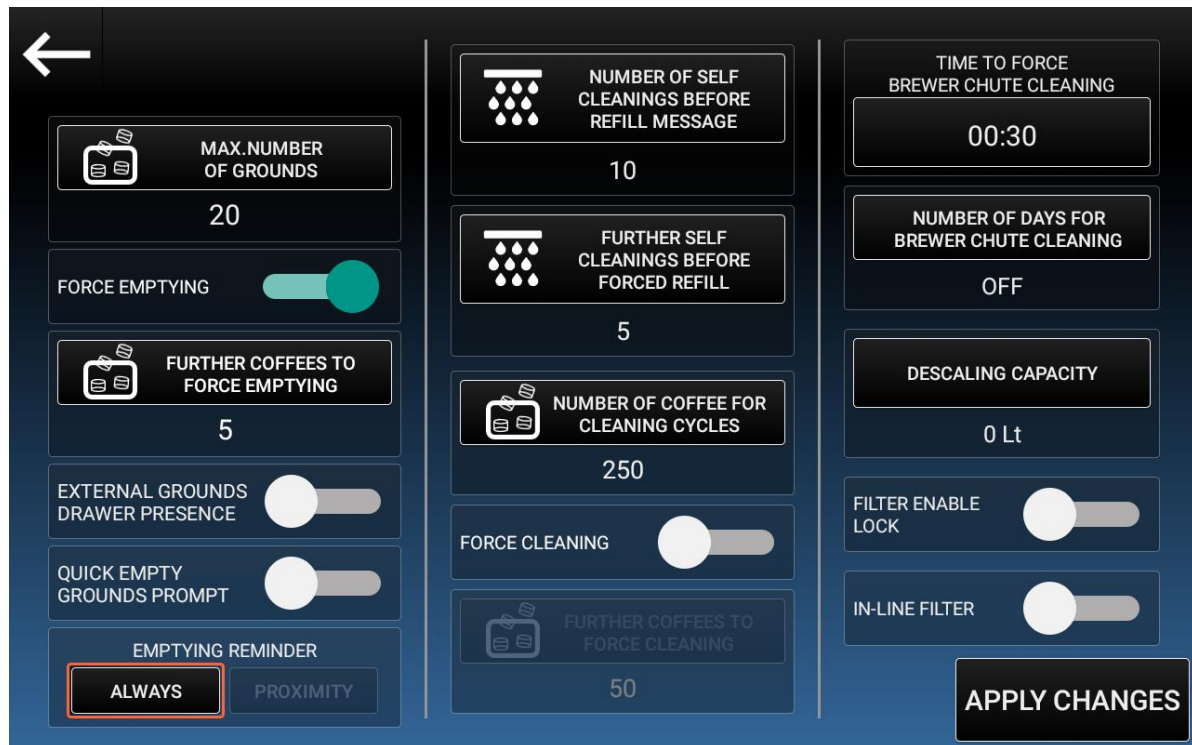
The possible operations to do are the following:

- **Boiler Temperature:** to adjust the temperature inside the boiler. Max C°: 100; min C°: 70. C° 0: not used.
- **Recovery Minimum Temperature:** if the boiler temperature falls below the set temperature, the boiler, after the set *Max Recovery Time*, starts to heat. It is not possible to dispense drinks until the minimum temperature is reached. Max C°: 80; min C°: 50. C° 0: not used.
- **Max Recovery Time:** Maximum time after which the boiler starts heating, if the boiler temperature falls below the set *Recovery Minimum Temperature*. Max : 30 sec. ; Min : 1sec.

5.3.6.5 Message Options

Push **Message Options** key.

The following screenshot will appear on the touch screen.



The possible operations to do are the following:

- **Max Number Of Grounds:** to set the maximum number of coffee grounds beyond which the machine will notify the message *Empty Grounds Drawer*.
- **Force Emptying:** if active, the machine does not deliver coffee-based drinks anymore if the maximum number of grounds is set and reached from the machine, plus the further coffees number (if set). Empty the grounds drawer and reset the error to unblock the machine.
- **Further Grounds to Force Emptying:** the set number, increases the maximum number of coffee grounds (see above), beyond which the machine stops.
- **External Grounds Drawer Presence:** must be active when there is the presence of an external grounds drawer.
- **Quick Empty Grounds Prompt:** when active, the machine ask for empty grounds drawer request after an alarm reset

- **Emptying Reminder:** the message appears every time you open the door. When set to ALWAYS, the message will appear when the grounds drawer counter reaches the maximum number of coffee grounds (set above). When set to PROXIMITY, the message will appear when the grounds drawer counter reaches the maximum number of coffee grounds (set above) minus 10.
- **Number of Coffee for Cleaning Cycles:** it is possible to determine the maximum number of coffee cycles beyond which the machine will notify the message for the coffee group cleaning cycle.
- **Force Cleaning:** if active, the machine does not deliver coffee based drinks anymore if the maximum number of coffees is set and reached from the machine, plus the further coffees number (if set). Do the coffee group cleaning to unblock the machine.
- **Further Coffees to Force Cleaning:** the set number, increases the maximum number of coffees (set above), beyond which the machine stops.
- **Time To Brewer Chute Cleaning:** at the time set, the machine will block and ask the *Daily Cleaning* and the *Brewer Chute Cleaning*.
- **Number of Days for Brewer Chute Cleaning:** the Brewer Chute Cleaning with the brush will be run after the number of days set.
Max: 7 days; min: 0 days (off).
- **Descaling Capacity:** number of liters after which it is necessary to replace the filter.
- **Filter Enable Lock:** if active, the machine stops when the number of liters limit (set above) is exceeded.
- **In-Line Filter:** enable this function when the filter is installed.
- **Number of self cleanings before refill message:** Only available when the detergent tank sensor is disabled. When the machine will be at this number of cleanings to the end of the detergent in the tank, an alarm will be shown on the top right corner of the screen. You will not be able to perform cleanings involving detergent from the internal tank while the alarm is present.
- **Further self cleanings before forced refill:** Set a number of cleanings that can be performed after the *Refill detergent tank* alarm is shown for the first time. You can set this field from 0 to 2 cleanings.

By default, at the first start (the machine is fresh new/first start after the install of the v6.078A1 software update), the machine assumes that the detergent tank is empty.

5.3.6.6 Drink Prices

Push **Drink Prices** key.

The following screenshot will appear on the touch screen.



The possible operations to do are the following:

- **Decimal Point:** to set the decimal point for the drink prices.
- **Base Coin:** to set the base coin for the drink prices.
- **Credit Options:**
 - **Hold Credit:** credit remains available for the delivery of the next drink.
 - **Erase Credit:** credit is cleared.
- **Free Vend:** to set on ON when drinks are delivered for free.
- **Enable skip payment option:** when activated, a button will be shown in the upper right corner of the Step by Step screen which, if pressed, will show a number pad. By entering the correct password, the drink will be dispensed bypassing the payment procedure. The password can be set in the Security section.

- **Swish®:** to enable the Swish® payment system (only available in Sweden)
- **Coin Value:** it is possible to associate a value up to 6 different coins.
- **Currency:** this is the used currency.
- **Drink Prices:** to set the price of each drink.

Pushing on the **Happy Hour** button on the right corner, the following screenshot will appear:



It is now possible to set the discount percentage for each drink that will be applied if **Happy Hour** is enabled.

In order to set the Happy Hour, see section 5.3.7.5

5.3.7 Settings

To access functions: push **Settings** and then choose the function.



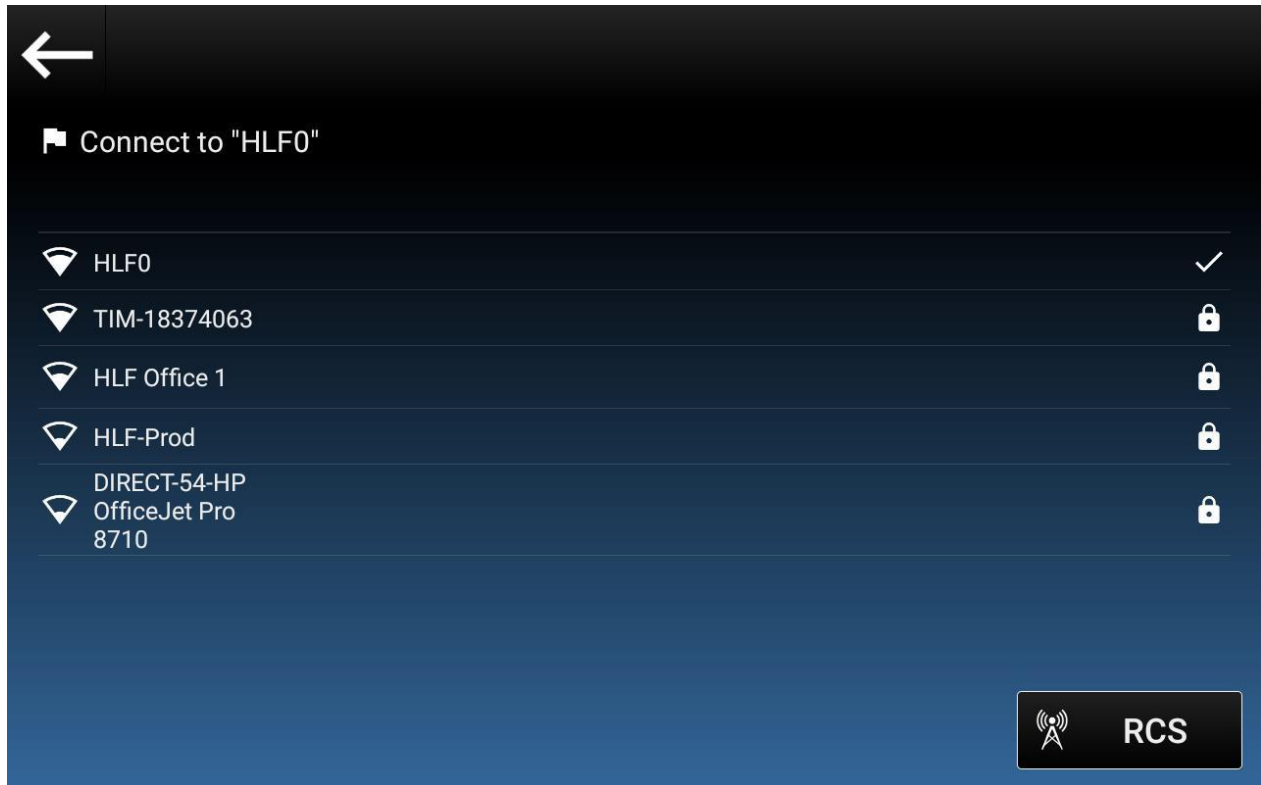
You can choose between the following sections:

- **Wi-Fi**
- **Advanced Options**
- **Happy Hour**
- **Cleaning Cycle Schedule**
- **Energy Saving**
- **QR Codes (only available when external camera is enabled)**

5.3.7.1 Wi-Fi

Push **Wi-Fi** key.

The following screenshot will appear on the touch screen.



The possible operations to do are the following:

- **RCS:** to set up an RCS account with this machine.

5.3.7.2 Advanced Options

Push **Advanced Options** key.

The following screenshot will appear on the touch screen.



The possible operations to do are the following:

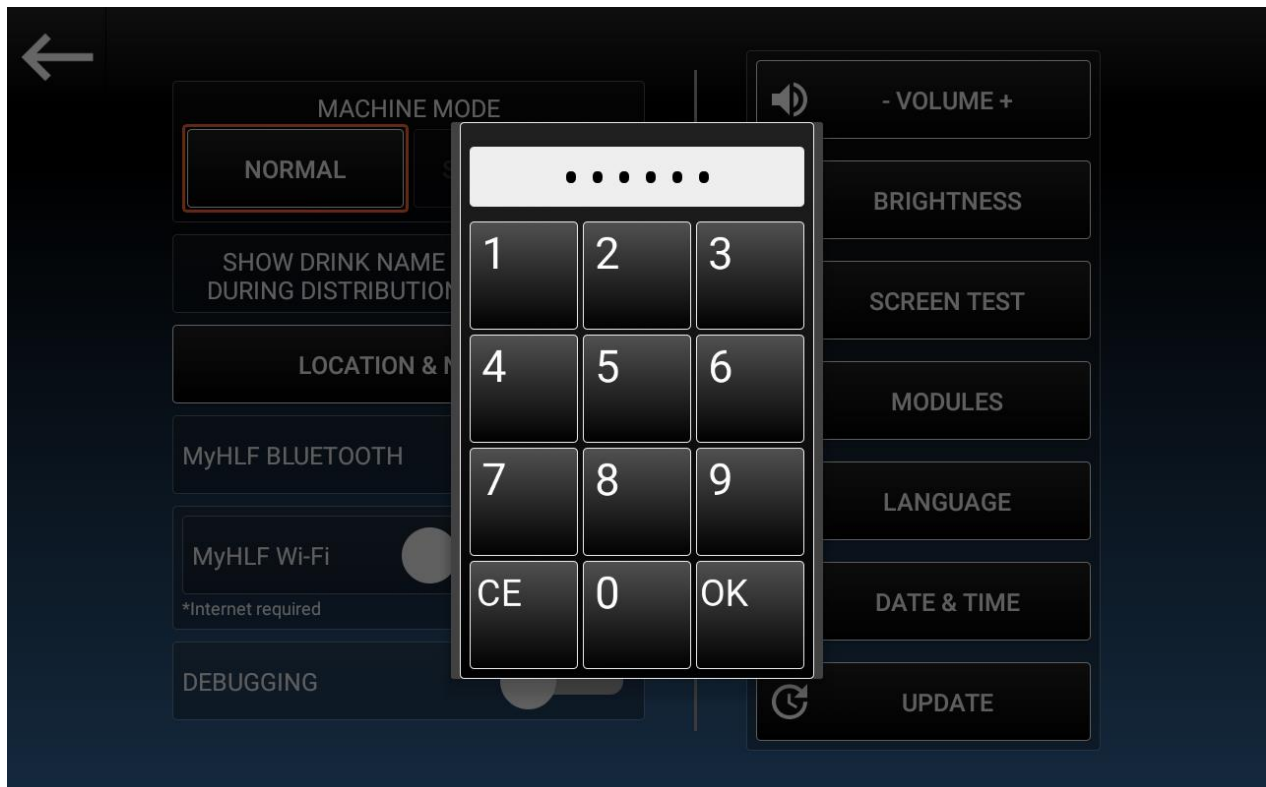
- **Machine Mode:** to set the dispensing mode of the machine.
 - **Normal:** when a drink key is selected, the drink is delivered according to the settings.
 - **Step by Step:** when a drink key is selected, the machine will ask to set different options in order to customize the drink.
- **Show Ingredients: (available only in step by step mode)** it is possible to see “show ingredients button” in the step by step screen.
- **Show drink name during distribution:** When active, the drink name will be shown in the distribution screen.
- **Location & Notes:** it is possible to add the location where the machine is installed.

- **Show Steam Kit Icon (currently available only on Bluetooth machines):** When enabled, the additional section “Steam Kit” will be shown in the Settings menu.
- **Debugging:** when activated, technical information are shown on the main menu.
- **Volume:** to regulate the machine volume; You can either change the Media volume and the Alarm volume.
- **Brightness:** to adjust the brightness of the screen.
- **Screen Test:** to test the touch screen gestures interface.
- **Language:** to change the application language. To complete the procedure, a reboot is needed.
- **Date & Time:** it is possible to set date and time.
- **Update:** to enter the Update menu.
- **My HLF Bluetooth:** Enables the My HLF application support. When enabled, the “MyHLF” icon and the relative Bluetooth address will appear on the main screen as in the following screenshot:

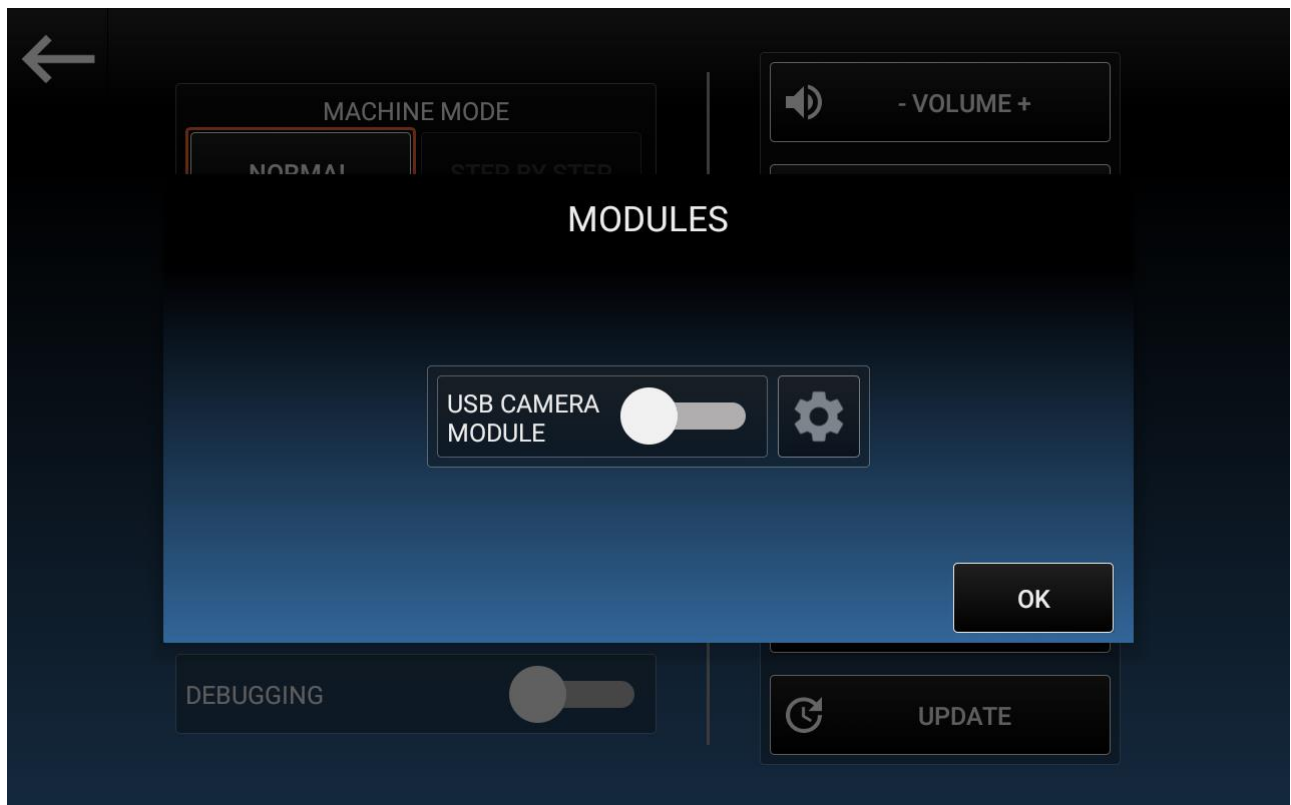


With the MyHLF feature it's possible to dispense drinks with your own recipe using the "MyHLF" app installed on your smartphone/tablet by pushing on the "MyHLF" Icon.

•**Modules:** in this section you will be able to manage any additional modules. You can click on the Modules button to see the following screen:

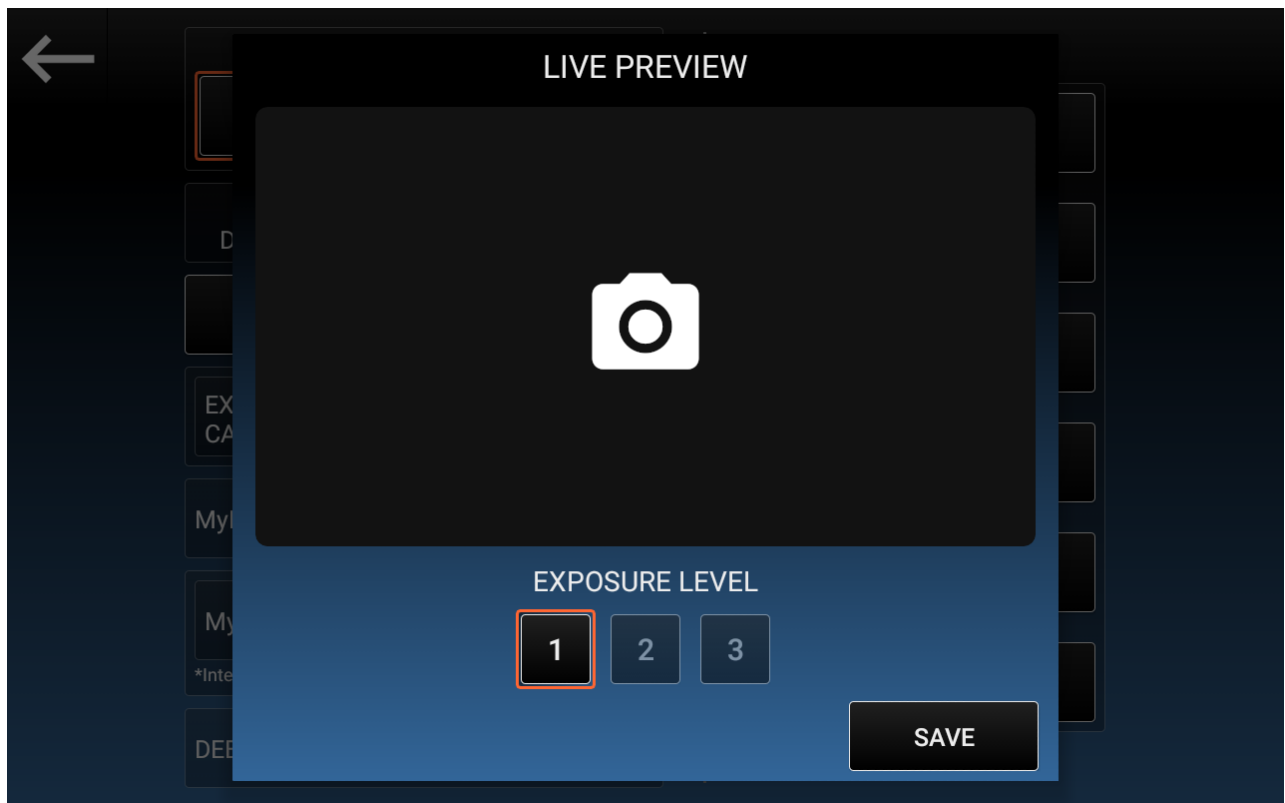


Insert the 987654 password to see the following screen:



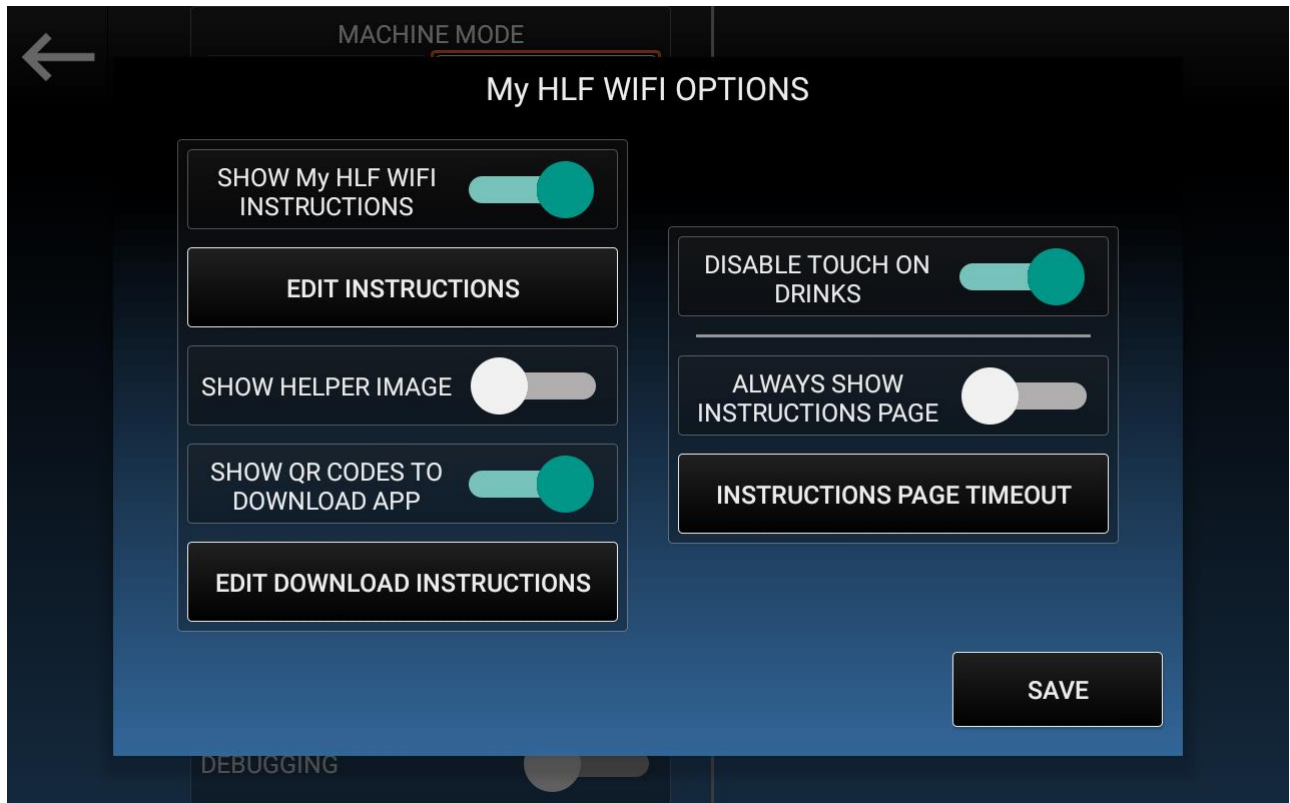
The possible operations to do are the following:

- **USB Camera Module:** Enables the External USB Camera. When this option is enabled, the QR Codes menu will be available in the Settings menu. You can push the gear bottom to see the following screenshot:



If the camera is connected properly, it will be shown a live preview. It is also possible to adjust the camera exposure to improve the code recognition performances, according on the ambient light;
While you are in this screen, you can show a QR Code to the camera, and it will be highlighted in the live preview.

- **My HLF Wi-Fi:** Enables the My HLF WiFi application support. You can push the gear bottom to see the following screenshot:



The possible operations to do are the following:

- **Show My HLF WiFi Instructions:** Instead of the drink selection screen, show some instructions regarding how to use the My HLF WiFi application.
- **Edit Instructions:** Here you can change the instructions to show, revert them to default, change the text size and the text color.
- **Show helper image:** Instead of the drink selection screen, show an image to help the user with the My HLF WiFi application.
- **Show QR Codes to download app:** Instead of the drink selection screen, show two QR Codes that can be scanned to redirect the user to the App Store/Play Store page of the My HLF WiFi app.
- **Edit download instructions:** Here you can change the download instructions to show with the QR Codes, revert them to default, change the text size and the text color.

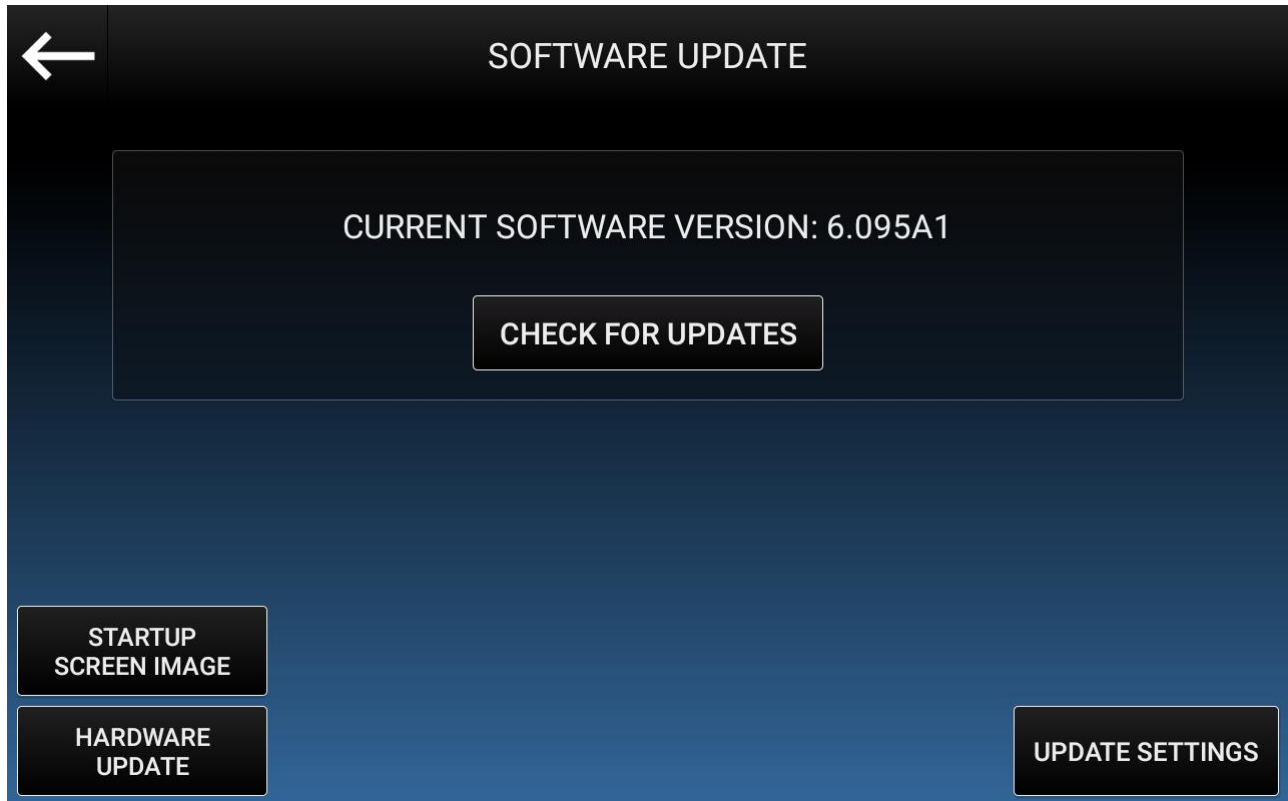
- **Disable touch on drinks:** When enabled, any touch made on the drinks will be ignored, in order to force the users to use the My HLF WiFi application.
- **Always show instructions page:** When enabled, the usual drink selection screen will always be hidden by the Instructions screen.
- **Instructions page timeout:** Set the timeout to fade in/fade out the Instructions page and the drink selection screen.
- **Save:** Save the changes.

This is an example of main screen with this option enable:



5.3.7.2.1 Software update

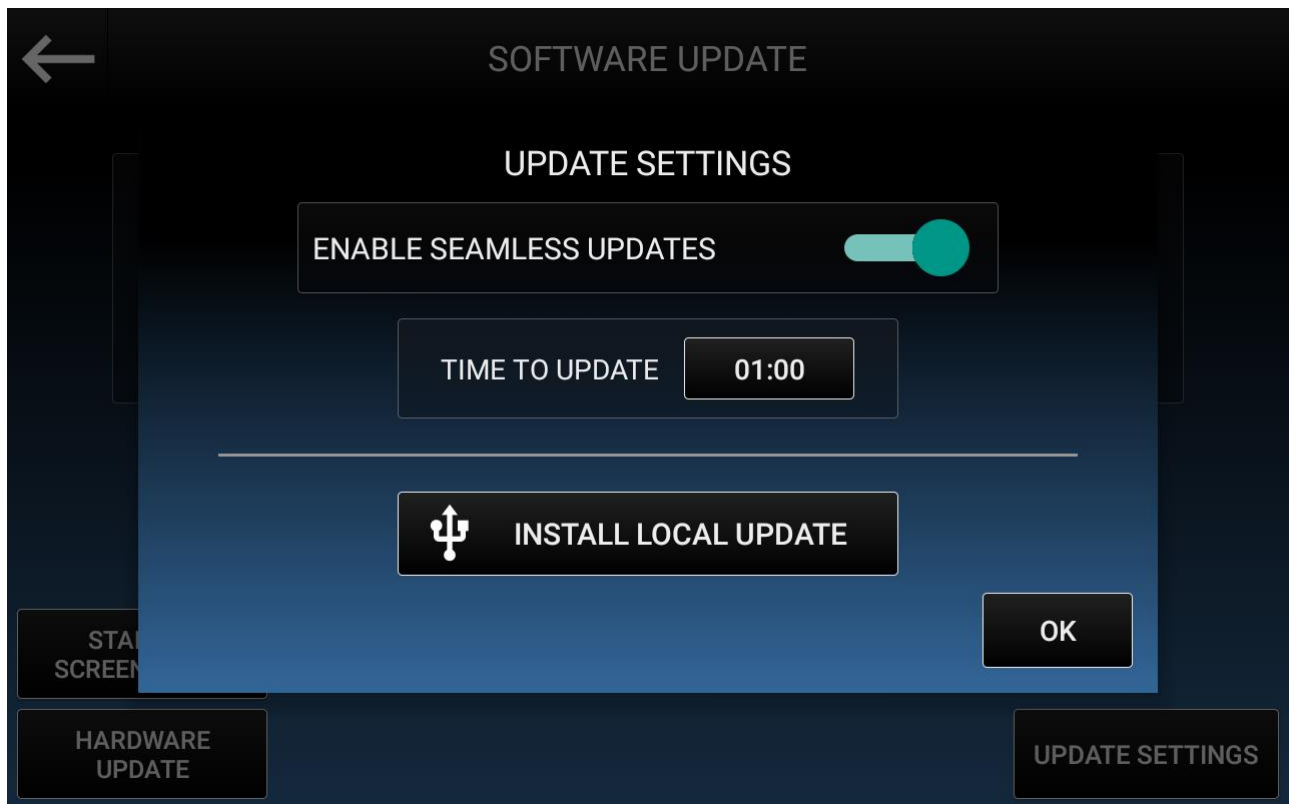
Pushing on **Update** key, the following screenshot will appear:



The possible operations to do are the following:

- **Hardware Update:** to enter the Hardware Update menu
- **Update Settings:** click to either edit the seamless update settings or install a local update.
- **Startup Screen Image:** to load an image to be shown during the initial startup screen.

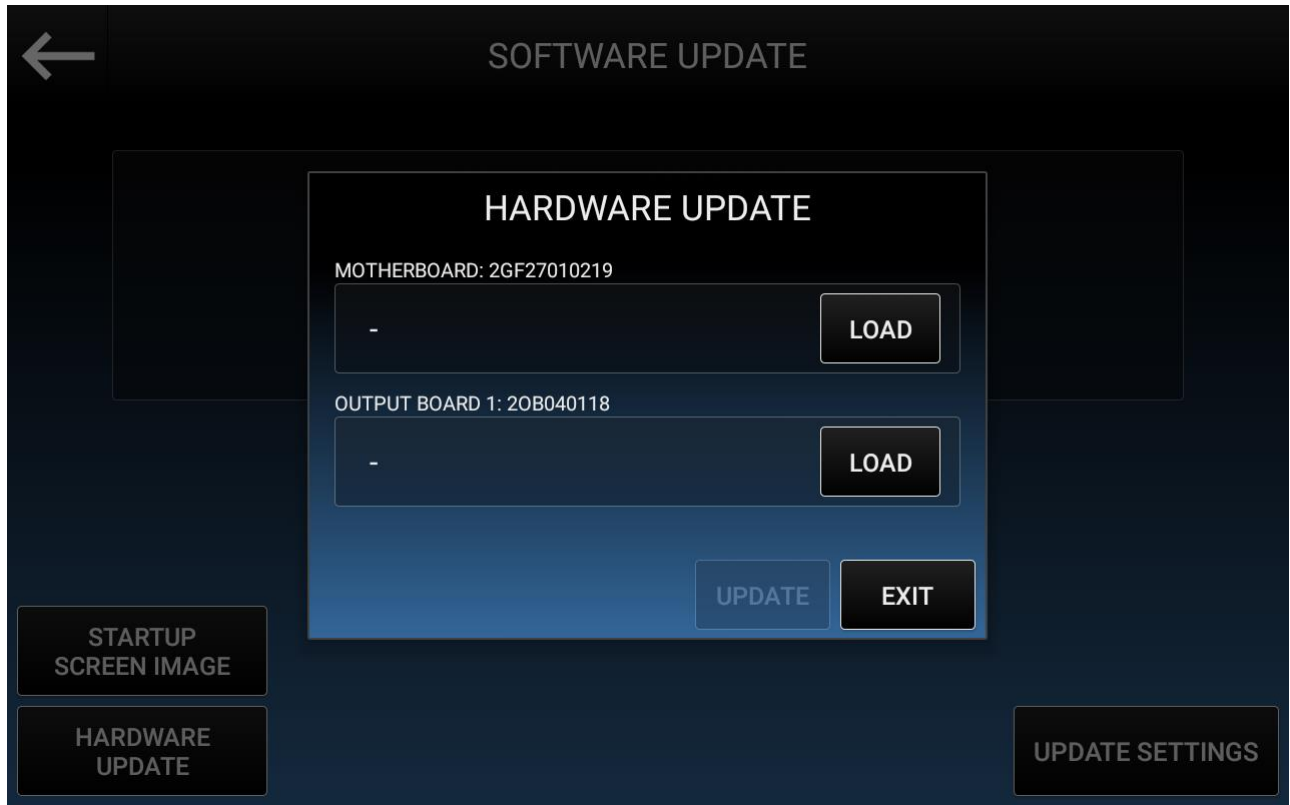
Pushing on **Update Settings**, the following screenshot will appear:



The following operations are possible:

- **Enable seamless updates:** Enable the Seamless Update system. When connected to a Wi-Fi network, the machine will periodically check whether an application update is available, and eventually download it.
- **Time to update:** After the download of the update has completed, the machine will wait until a predetermined time to reboot the touchscreen and install the update, which can be set here. If the machine will be turned off before this time, the update will be installed upon the next start.
- **Install local update:** Install an update from an external USB drive.

Pushing on **Hardware Update**, the following screenshot will appear:



It is possible to **Load** the software for the boards from the touch screen memory or from an external USB drive.

5.3.7.3 Happy Hour

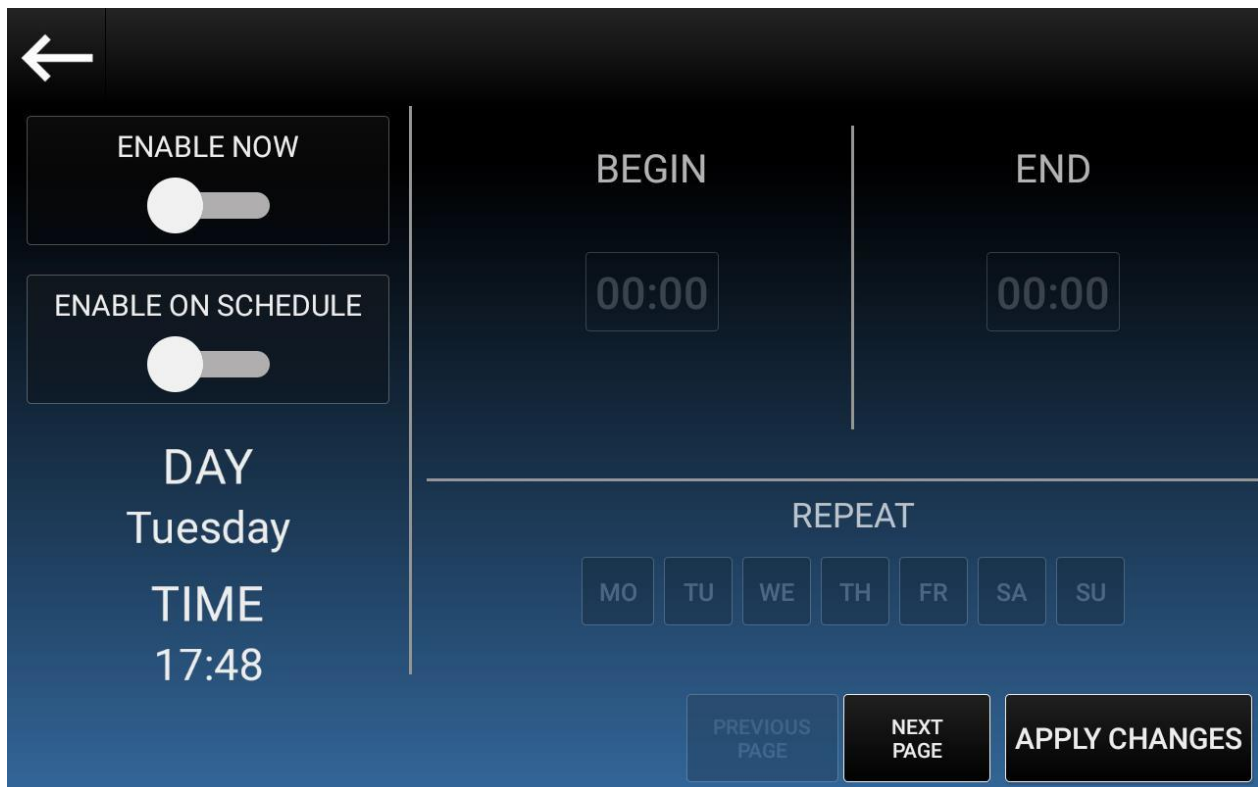
It is possible to set a time when the drinks are dispensed with a discount on the price.

When Happy Hour mode is enabled, a percentage symbol is displayed in the center of the main screen, as in the following screenshot:



Push **Happy Hour** key.

The following screenshot will appear on the touch screen.



In the bottom left corner, the current day and time is displayed.

The possible operations to do are the following:

- **Enable now:** to enable or disable the Happy Hour mode instantly.
- **Enable on schedule:** to Enable the Happy Hour in preset days and time.
- **Begin:** to set the time the Happy Hour mode will be enabled.
- **End:** to set the time the Happy Hour mode will be disabled.
- **Repeat:** to set in which days the Happy Hour will be enabled.

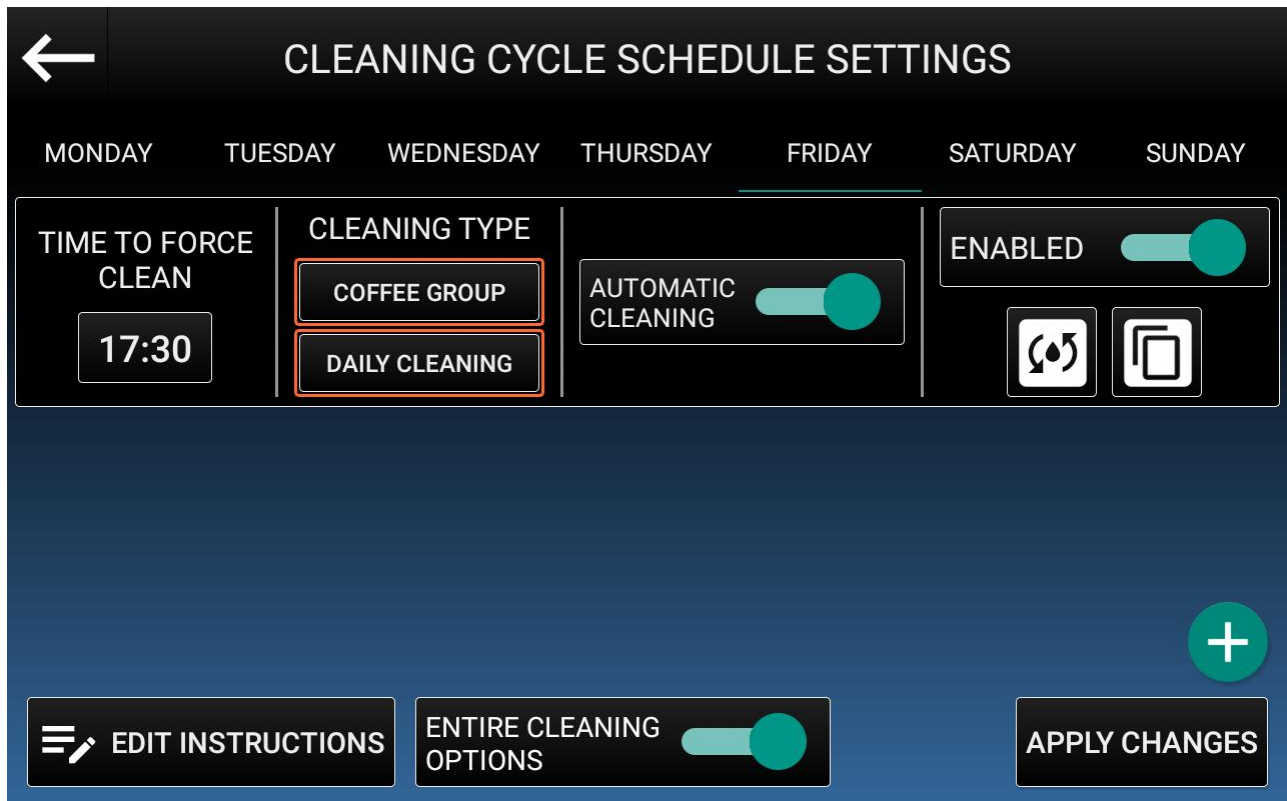
Pushing on the “next page” keys the following screenshot will appear:



It is possible to choose which drink will be available during the “Happy Hour”. Disabled drink will appear with a red cross over the drink button.

5.3.7.4 Cleaning Cycle Schedule Setting

Push **Cleaning Cycle Schedule Settings** key.
The following screenshot will appear on the touch screen.



The possible operations to do are the following:

- **Time to force clean:** Click to edit the time to ask the selected cleaning.
The cleaning will start at this time only when required (e.g.: a coffee group cleaning will be prompted only if the machine has done at least a coffee from the previous coffee group cleaning).
- **Cleaning Type:** Here you can edit the cleaning to force at the selected time. You can choose between:
 - Coffee Group Cleaning
 - Daily Cleaning
 - Entire Cleaning (by selecting both Coffee Group and Daily)

As mentioned before, the Coffee Group Cleaning will be prompted only if the machine has done at least a coffee drink from the previous coffee group cleaning;

The Daily Cleaning will be prompted:

- For **Fresh Milk** machines, when the machine has done at least a milk drink from the previous daily cleaning;
- For **Soluble** machines, when the machine has done at least a soluble drink from the previous daily cleaning.

The Entire Cleaning is basically a Coffee Group cleaning followed by a Daily Cleaning, and it follows the same rules of the two above, combined. Whether the conditions are only partially observed, it will be prompted the correct cleaning (e.g.: is the machine has done only coffees, but no milk drinks, a coffee group cleaning will be prompted, and not a whole entire cleaning).

- Automatic Cleaning** Enable to make automatically start the cleaning at the chosen time.

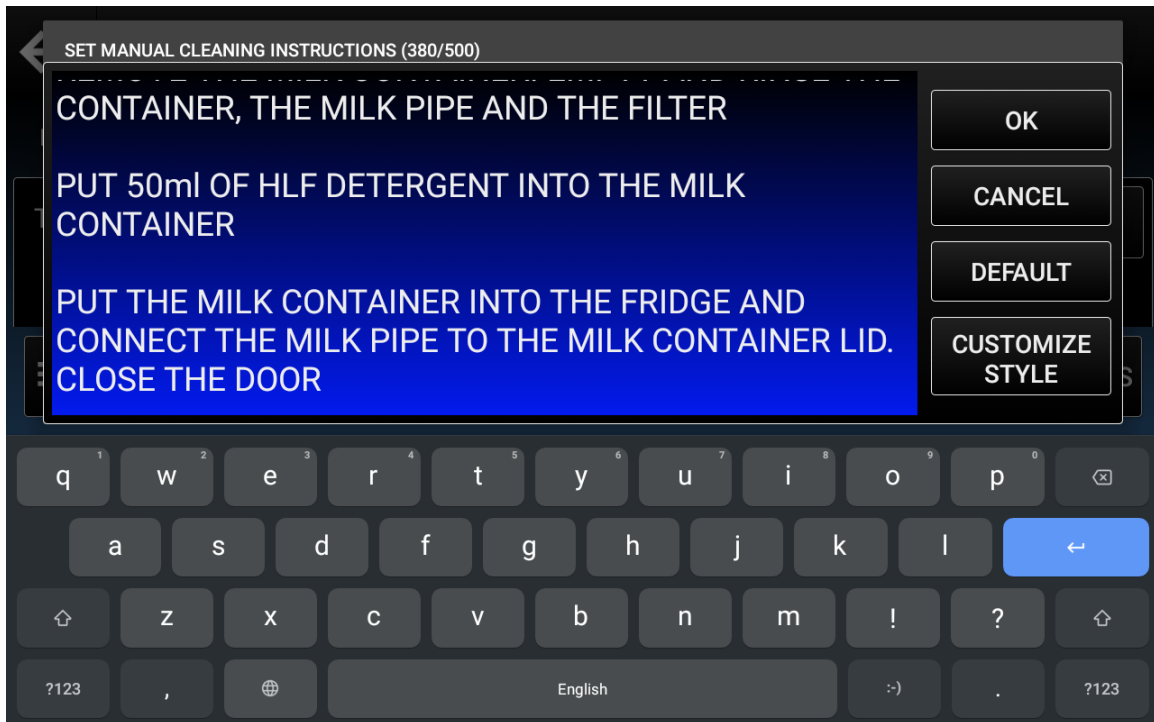
This option is available for:

- Daily Cleaning** on **Soluble** machines (when active, it will just make the Mixer Cleaning start automatically);
- Daily Cleaning** on **Fresh Milk HLF 2700** machines (when active, it will make the Daily Cleaning start automatically, using the detergent of the internal tank);
- Entire Cleaning** on **Fresh Milk HLF 2700** (when active, it will perform the Daily Cleaning part of the Entire Cleaning using the detergent of the internal tank)

- **Enabled:** Click to enable/disable the cleaning for the selected day.
- **Apply Changes:** use it to save any change made inside this section.

- Entire Cleaning Options:** When enabled, the machine will ask to choose between the Auto/Manual type of cleaning and the Normal/Alternative kind of detergent when performing a non-forced Entire Cleaning. When disabled, the Entire Cleaning will display the Manual instructions, without the choice to select the type of cleaning.

- **Edit Instructions:** Here you can edit the instructions to be shown before a Manual Daily/Entire Cleaning of Fresh Milk machines.



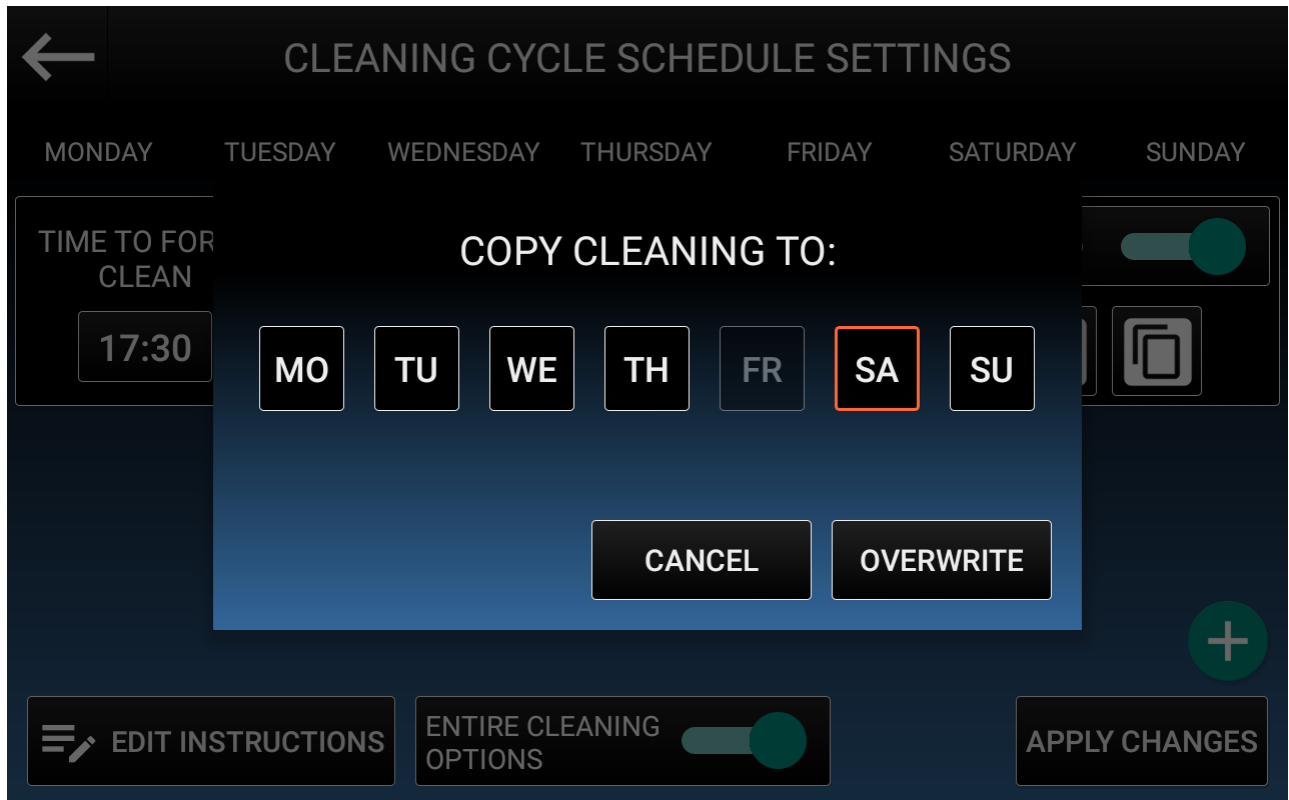
The possible operations to do are the following:

- Edit the instructions;
- OK:** Save the new instructions
- Cancel:** Discard any change made
- Default:** Revert the instructions to the default ones
- Customize style:** Show options to change the background color, the text size and the text color.



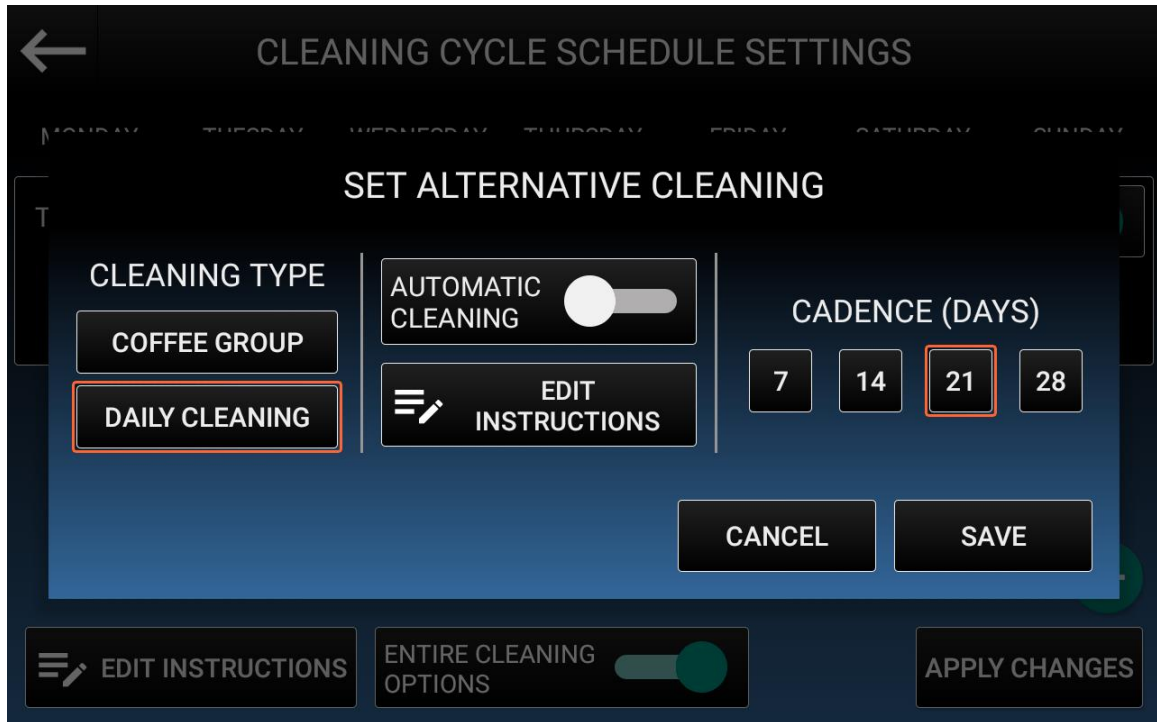
: Click to copy the cleaning to other days of the week.

Select the days you want to overwrite (in this case, we are copying the Saturday cleaning to Sunday) and click Overwrite.



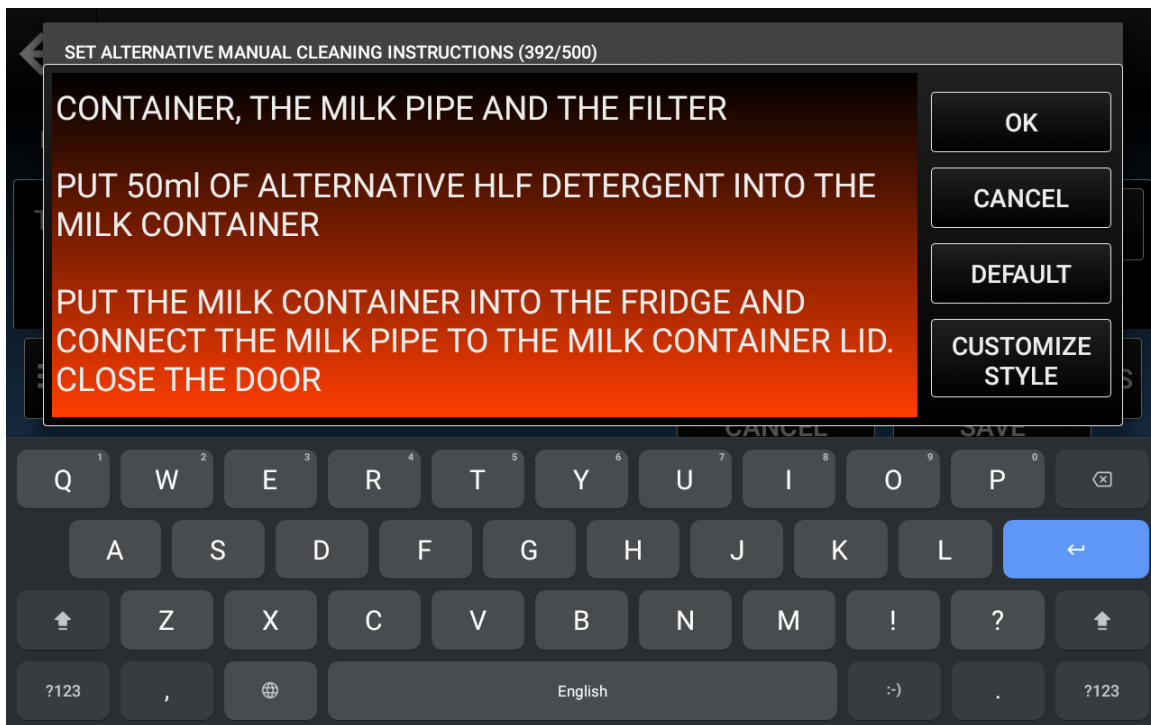


Click to setup an Alternative cleaning for the selected day.



The Alternative Cleaning will be prompted as a replacement of the regular cleaning, following the selected cadence.

- The **Cleaning Type** and the **Automatic Cleaning** follows the same rules described above.
- The **Cadence** describes how often you want to perform the alternative cleaning; For instance, if you set it to 7 days, the machine will be asking every week for the Alternative cleaning, ignoring the regular setup of the selected day.
- The **Edit Instructions** button has the same purpose of the one in the previous screen, but is specifically for the instructions to be shown before an Alternative Manual Daily/Entire Cleaning of Fresh Milk machines.



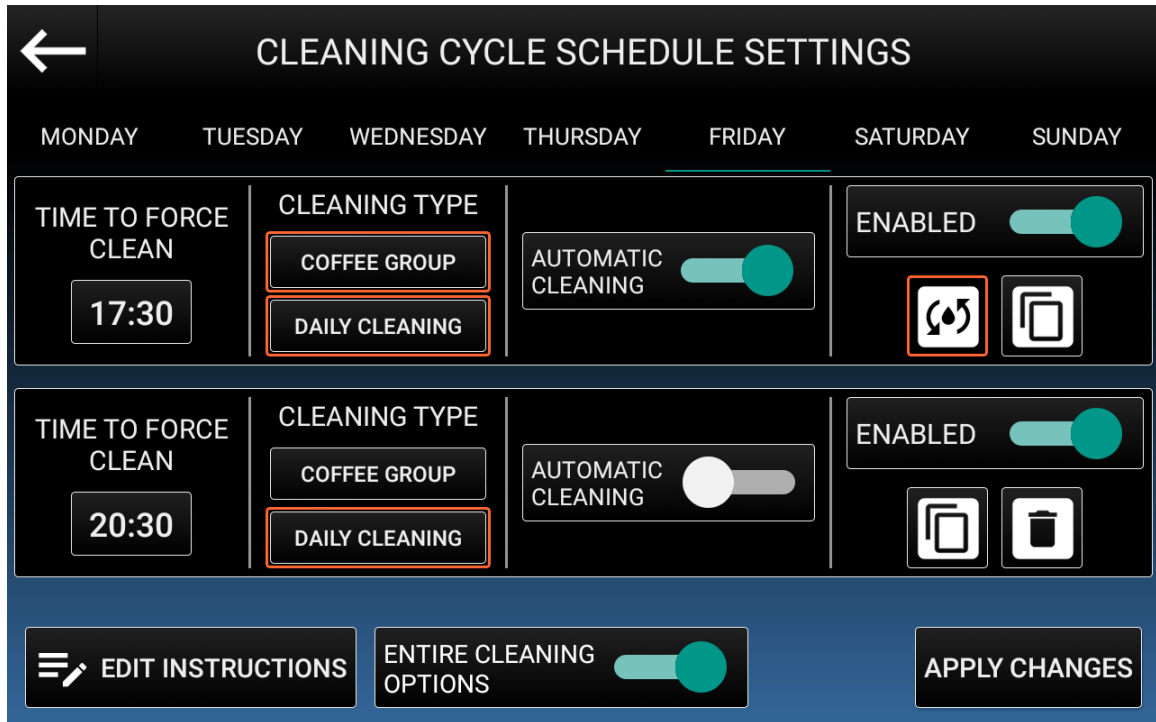
Use it to specify that a different detergent must be used (as this is the main purpose of the Alternative Cleaning), along with the correct amount of detergent.

After the setup of the Alternative Cleaning, the relative button will be highlighted in orange, to point out that for that day you have set an alternative cleaning.





: Use this button to add a secondary cleaning cycle for the selected day.

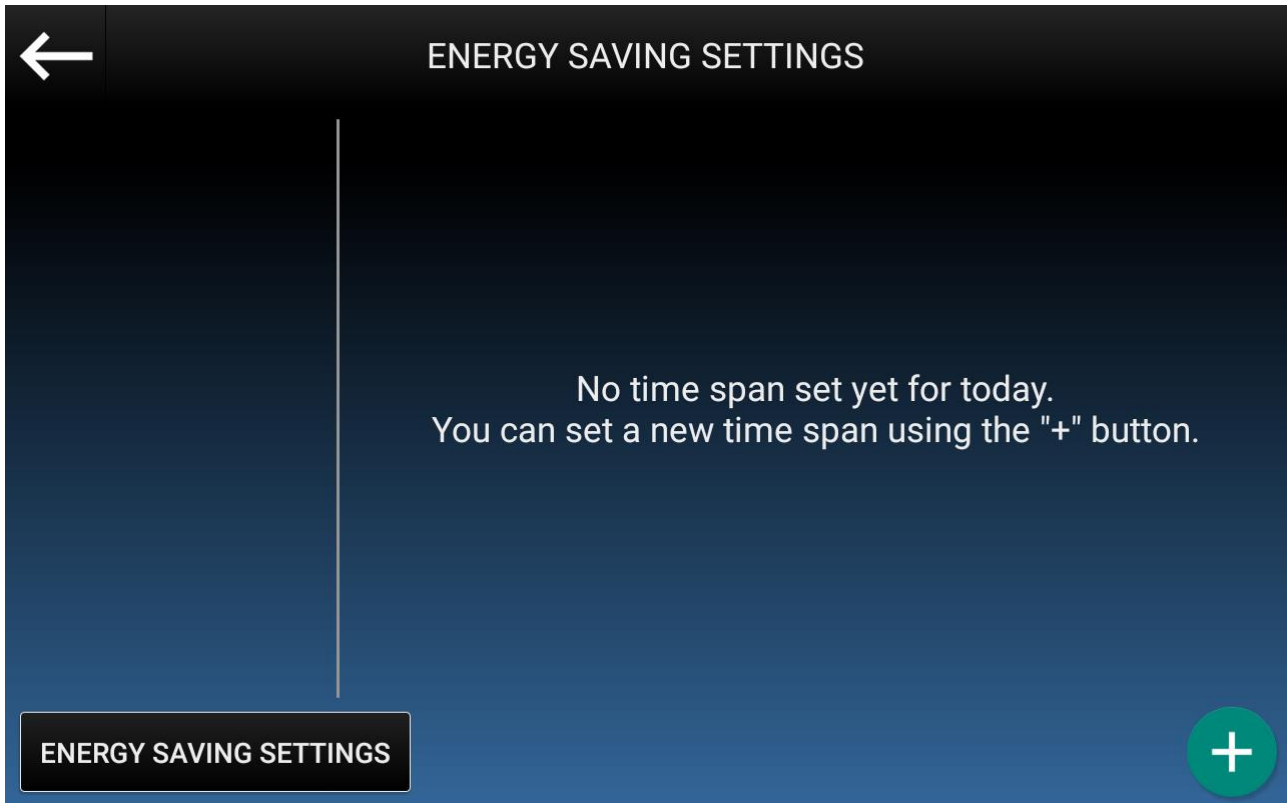



You'll be able to have up to 2 forced cleaning cycles for each day. Keep in mind that the time of the second cleaning must be higher than the first one. Note also that you'll be able to setup an Alternative Cleaning only on the first cleaning of the day.

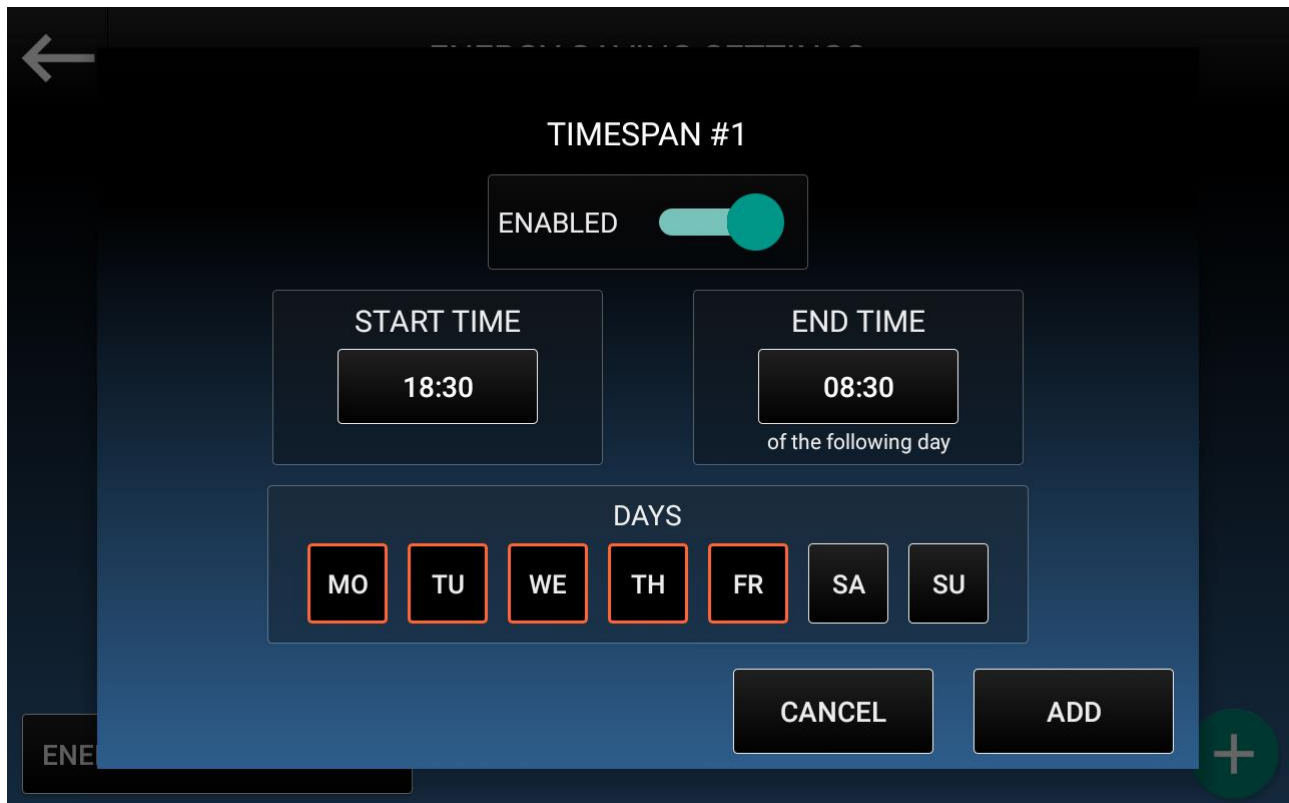
5.3.7.5 Energy Saving

Push **Energy Saving** key.

The following screenshot will appear on the touch screen.



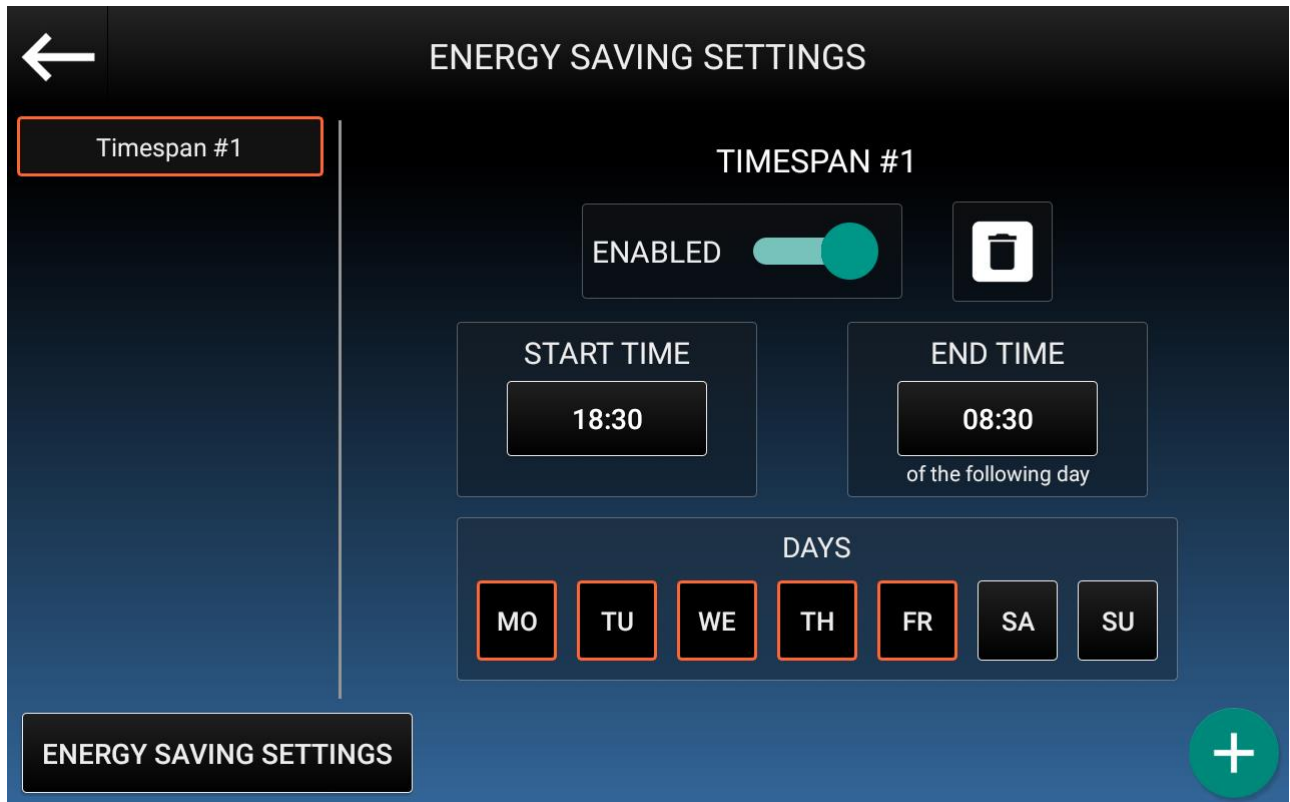
Click on the  button to add a new timespan.



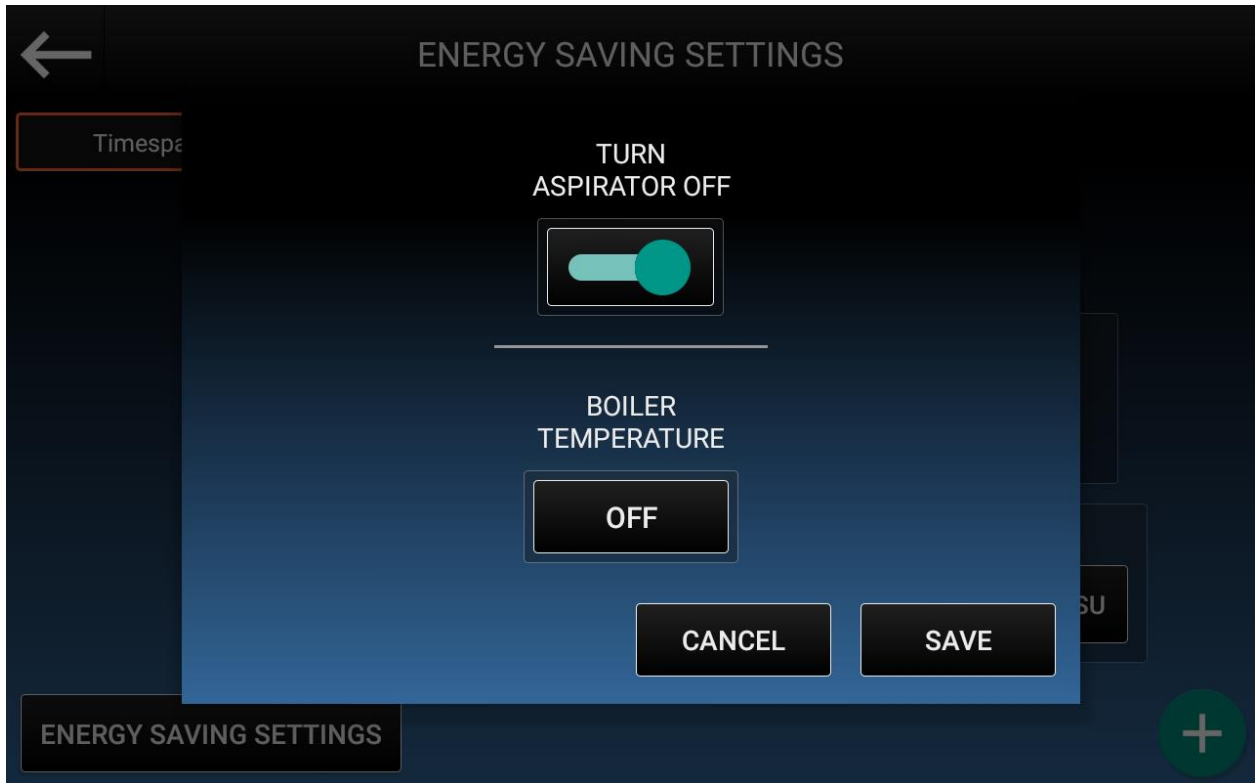
You can edit the following options:

- **Enabled:** choose if the current timespan will be enabled or not.
- **Start Time:** choose the starting time of the Energy Saving mode.
- **End Time:** choose the end time of the Energy Saving mode. A single timespan can last up to 24 hours.
- **Days:** choose on which days this timespan will be active.

After pushing on the **ADD** button you will see the following screenshot, where you will be able to change the above options or delete the timespan.
You can add up to 8 different timespans.



Pushing on **Energy Saving Settings** you will see the following screenshot:



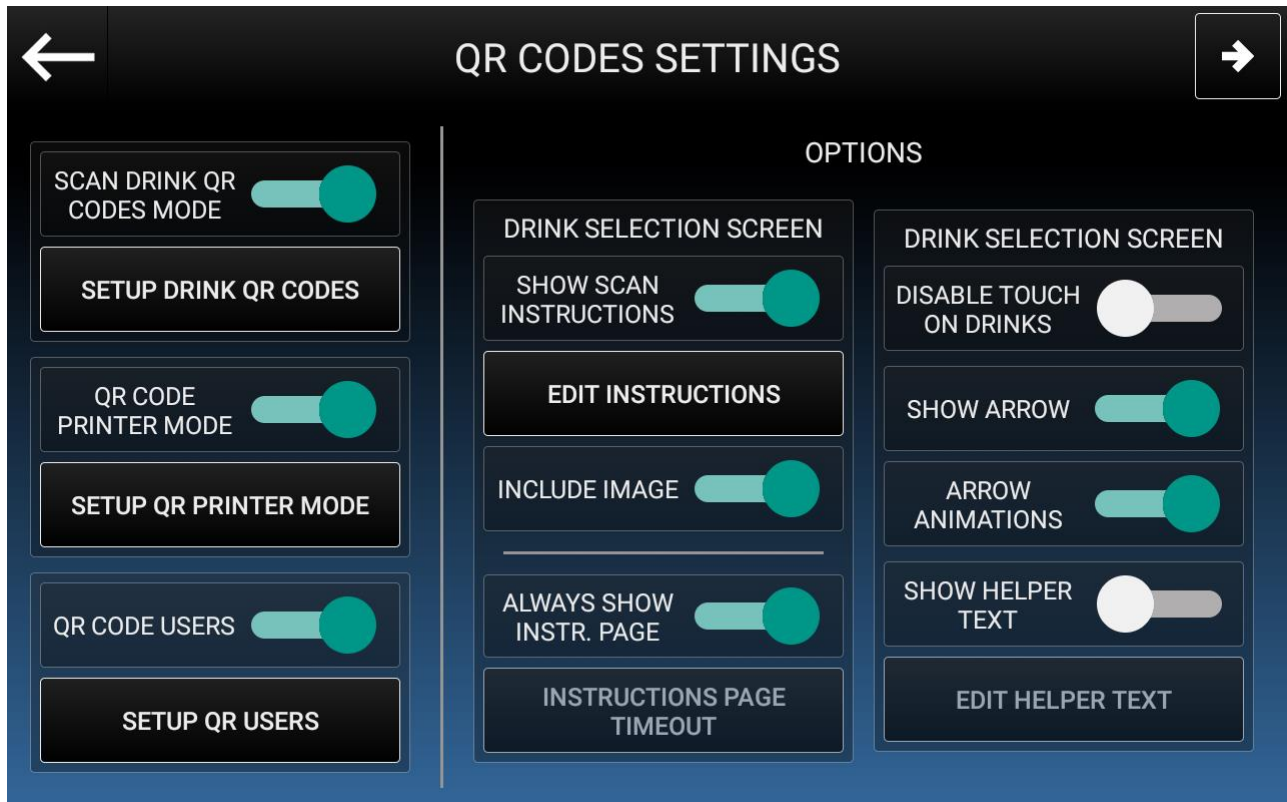
You can change the following options:

- **Turn Aspirator Off**
- Set the **Boiler Temperature** during the Energy Saving

5.3.7.6 QR Codes

Push QR Code.

The following screenshot will appear on the touch screen.

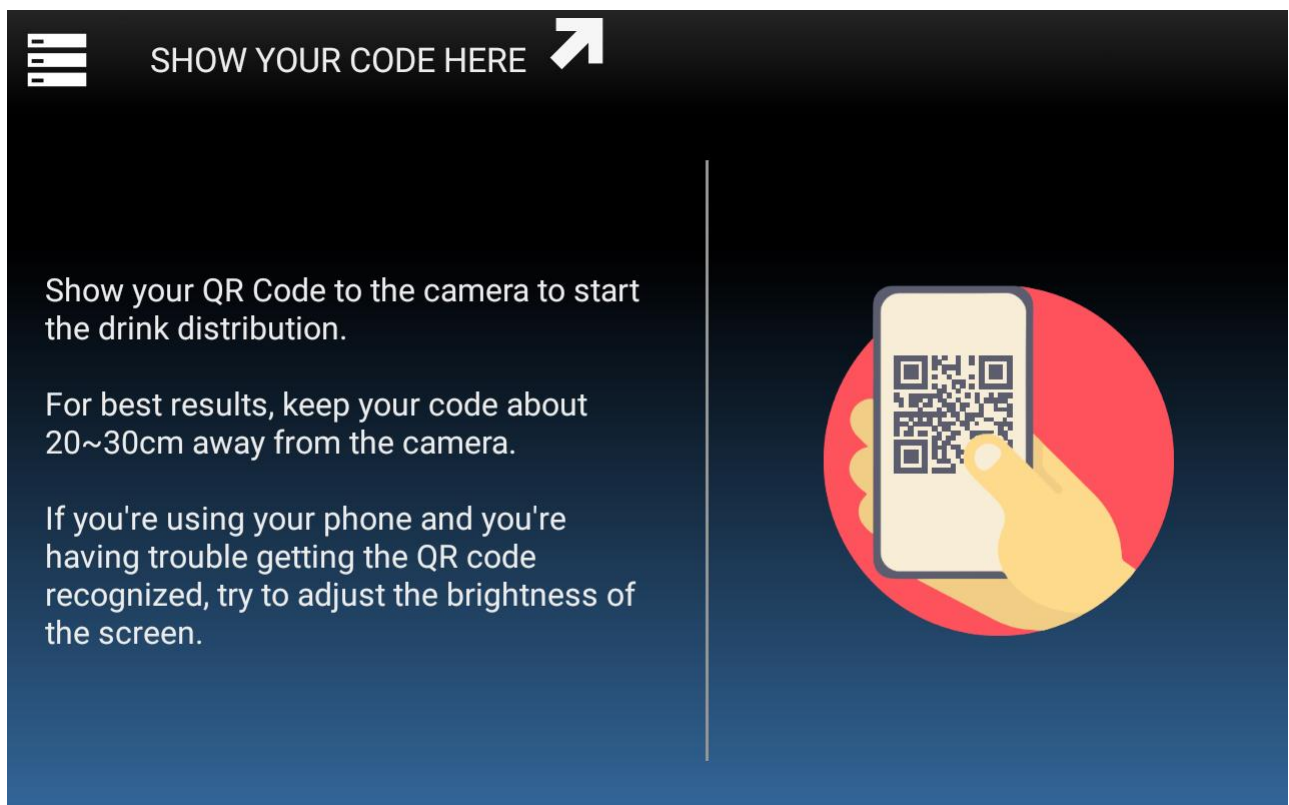



Enabling at least one of the three QR code reading modes will activate the Options section. The possible operations to do are the following:

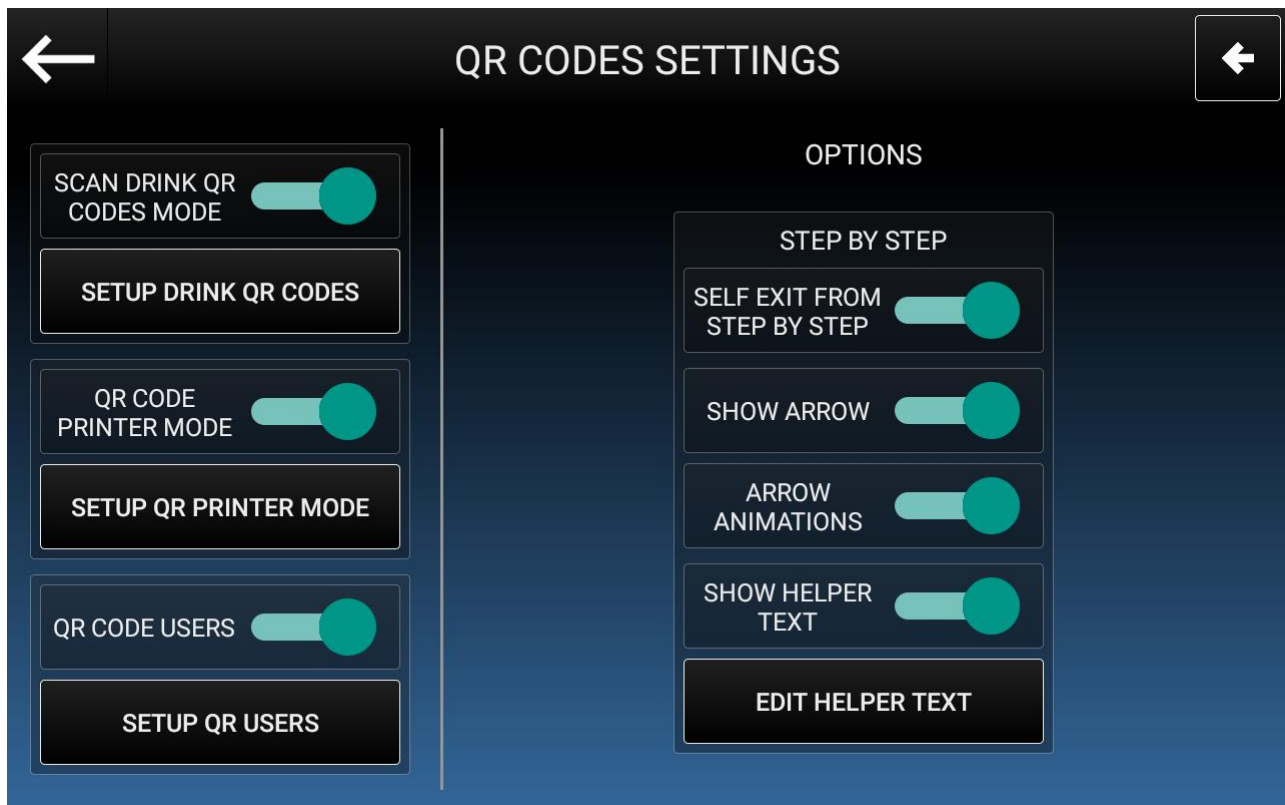
- **Show Scan Instructions:** Instead of the drink selection screen, show some instructions regarding how to properly show a QR Code to the machine.
- **Edit Instructions:** Here you can change the instructions to show, revert them to default, change the text size and the text color.
- **Include image:** Instead of the drink selection screen, show an image to help the user with the QR Code scan.
- **Always show instructions page:** When enabled, the usual drink selection screen will always be hidden by the Instructions screen.
- **Instructions page timeout:** Set the timeout to fade in/fade out the Instructions page and the drink selection screen.

- Disable touch:** When enabled, any touch made on the drinks will be ignored, in order to force the users to use the QR Codes.
- Show Arrow:** Show an arrow in proximity of the camera, pointing towards it.
- Arrow Animations:** When enabled, the arrow will have a blinking animation.
- Show Helper Text:** Show a short helper text next to the arrow.
- Edit Helper Text:** Here you can change the text to show next to the arrow, revert it to default, change the text size and the text color.

With the above options, the drink selection screen would look like this:



You can use the  button to reveal a second page of options.



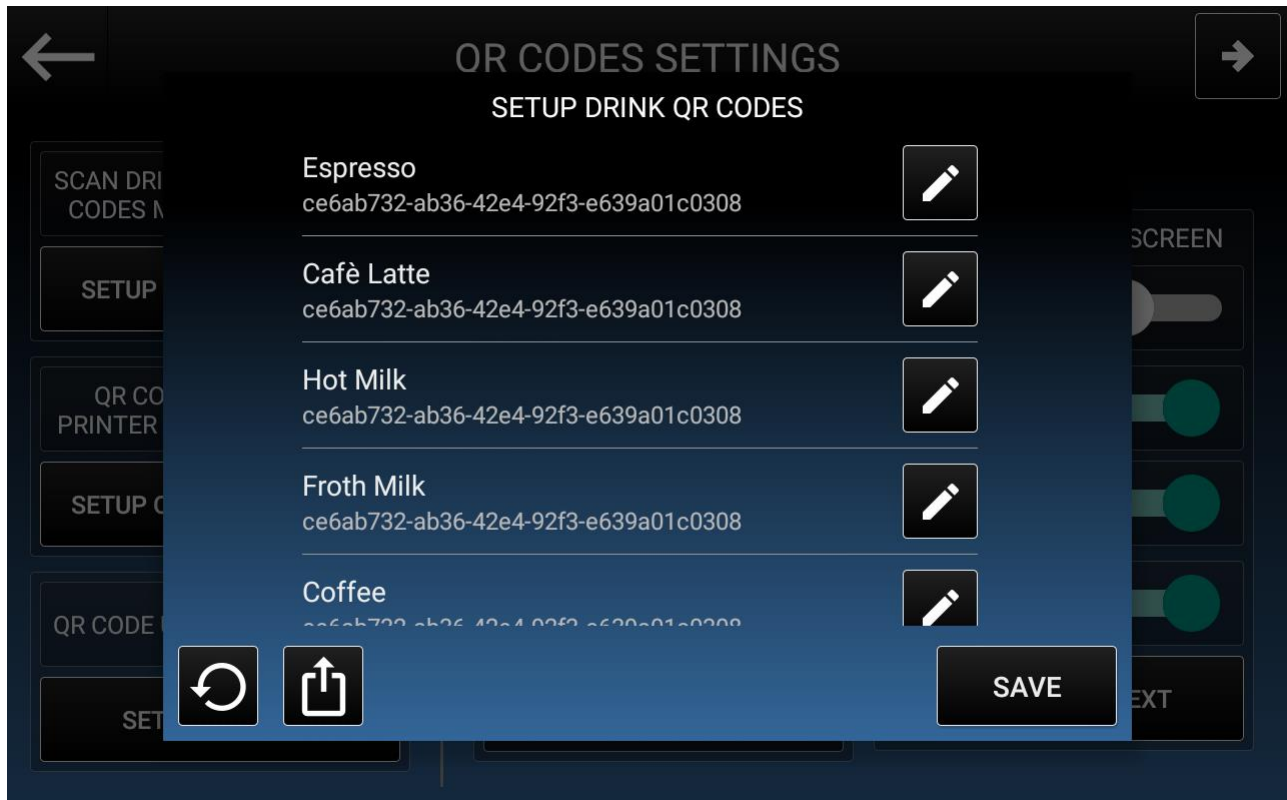
This section only affects the Step by Step screen. The possible operations to do are the following:

- **Self Exit from Step by Step:** after 40 seconds of inactivity the Step by Step will close by itself.
- **Show Arrow:** Show an arrow in proximity of the camera, pointing towards it.
- **Arrow Animations:** When enabled, the arrow will have a blinking animation.
- **Show Helper Text:** Show a short helper text next to the arrow.
- **Edit Helper Text:** Here you can change the text to show next to the arrow, revert it to default, change the text size and the text color.

5.3.7.6.1 Scan Drink QR Codes Mode

With this mode, a machine-unique identifier will be associated to each drink, and it will be used to generate a reusable QR Code;
Show the QR Code to the machine and it will start the dispense in few moments.

Press on **Setup Drink QR Codes** to see the available options:



From here you'll be able to see which code is associated to which drink, with the possibility to perform these actions:



: Edit the drink code. Editing the code will automatically disable the previously generated QR codes.



: Refresh all drink codes at once.



: Export the current QR Codes, either to an USB drive or via email. In both cases you will receive a .zip archive containing the QR Codes in a .png format. When exporting the codes, you can choose between many options, such as attaching to the QR code the drink name, the drink position, the drink image and the HLF logo.

The following is the QR code for the drink “Espresso”, exported with all the options activated.



ESPRESSO

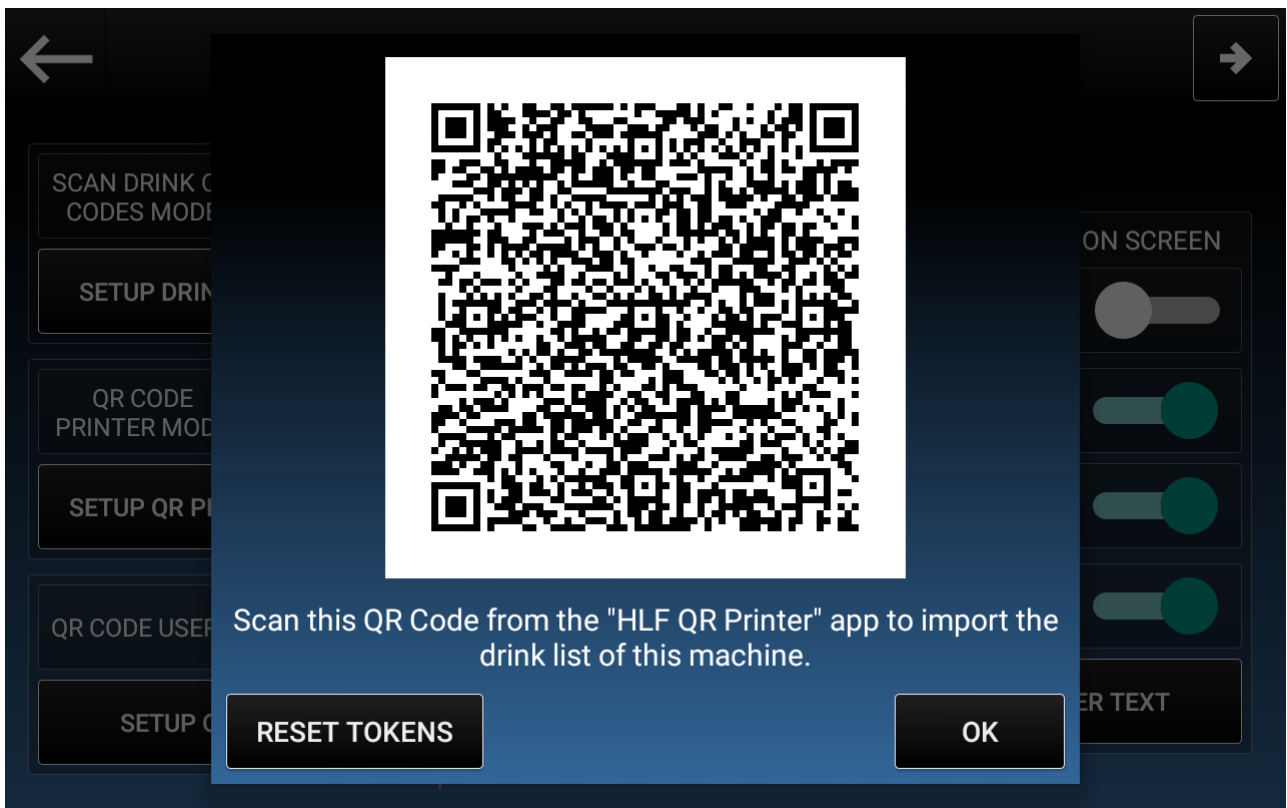


5.3.7.6.2 Code Printer Mode

This mode is meant to be used in conjunction with the HLF QR Printer mobile application, that can be used to print a one-time-only QR Code that will be recognized from the machine in order to dispense the drink.

In the HLF QR Printer you can load the drink list into the application using the “Scan” function; Printing is supported both on traditional printers and on thermal printer, connected via Bluetooth.

You can press on **Setup QR Printer Mode** to see the following screen:

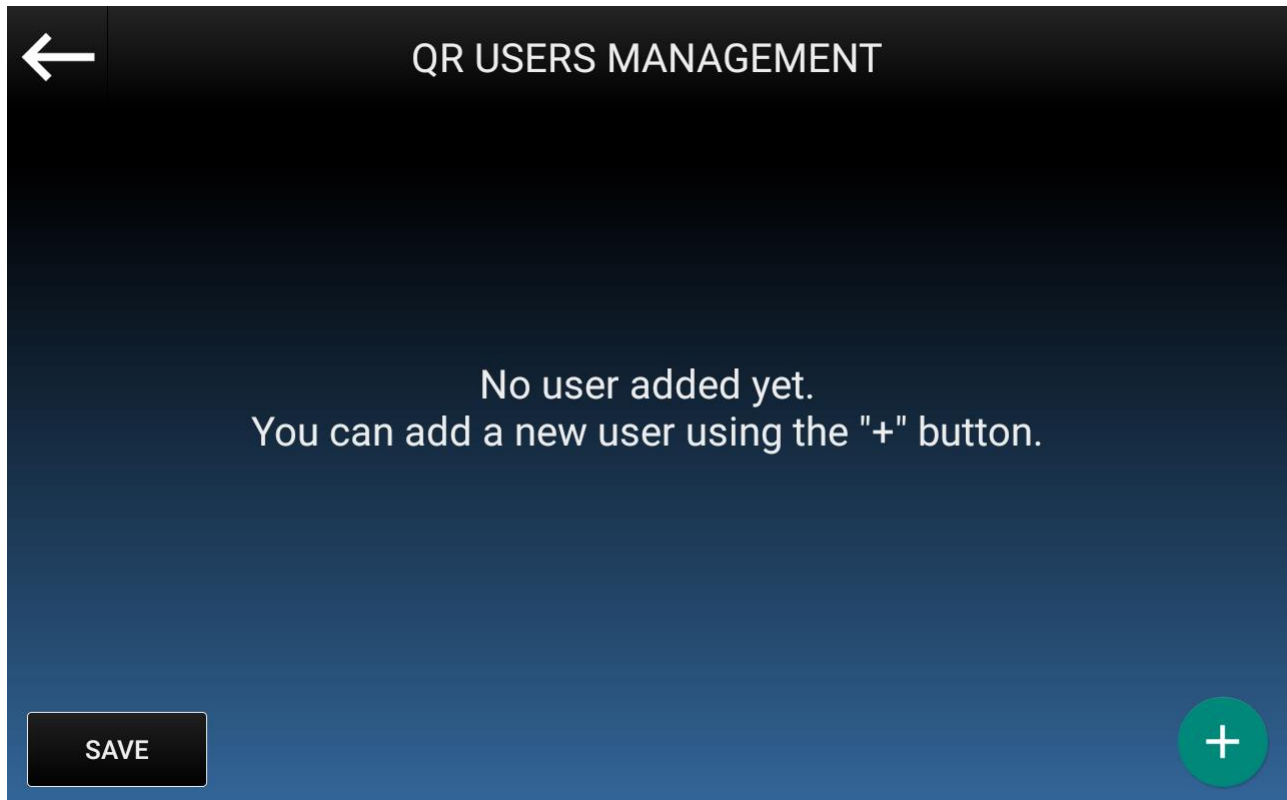



Here you can see the QR Code to be scan from the HLF QR Printer app to quickly import the drink list, and the **Reset Tokens** button, that can be used to reset every used token.

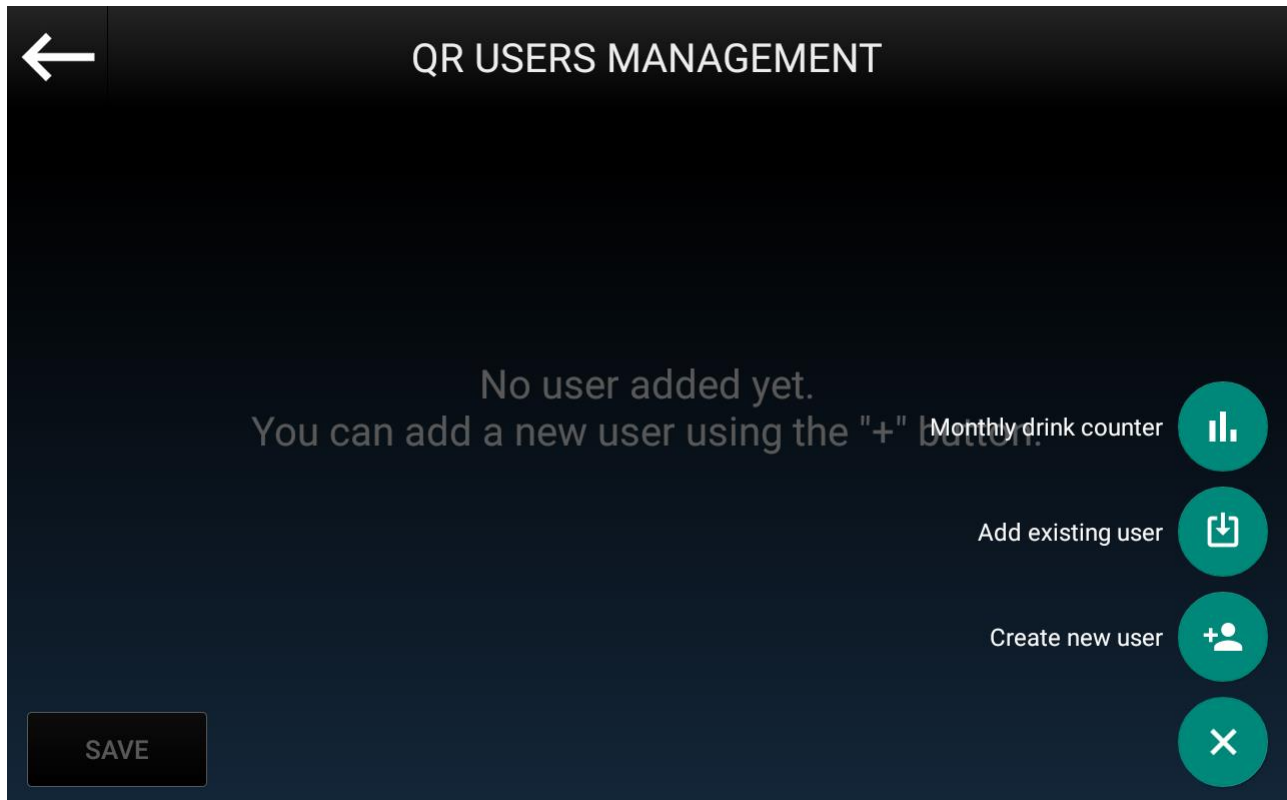
5.3.7.6.3 QR Codes Users

With this mode it is possible to create a list of users (ideally the office employees), where each one of them associated to an email address and a username, and therefore to a unique QR Code.

Push on Setup QR Users, and the following screenshot will appear on the touch screen.




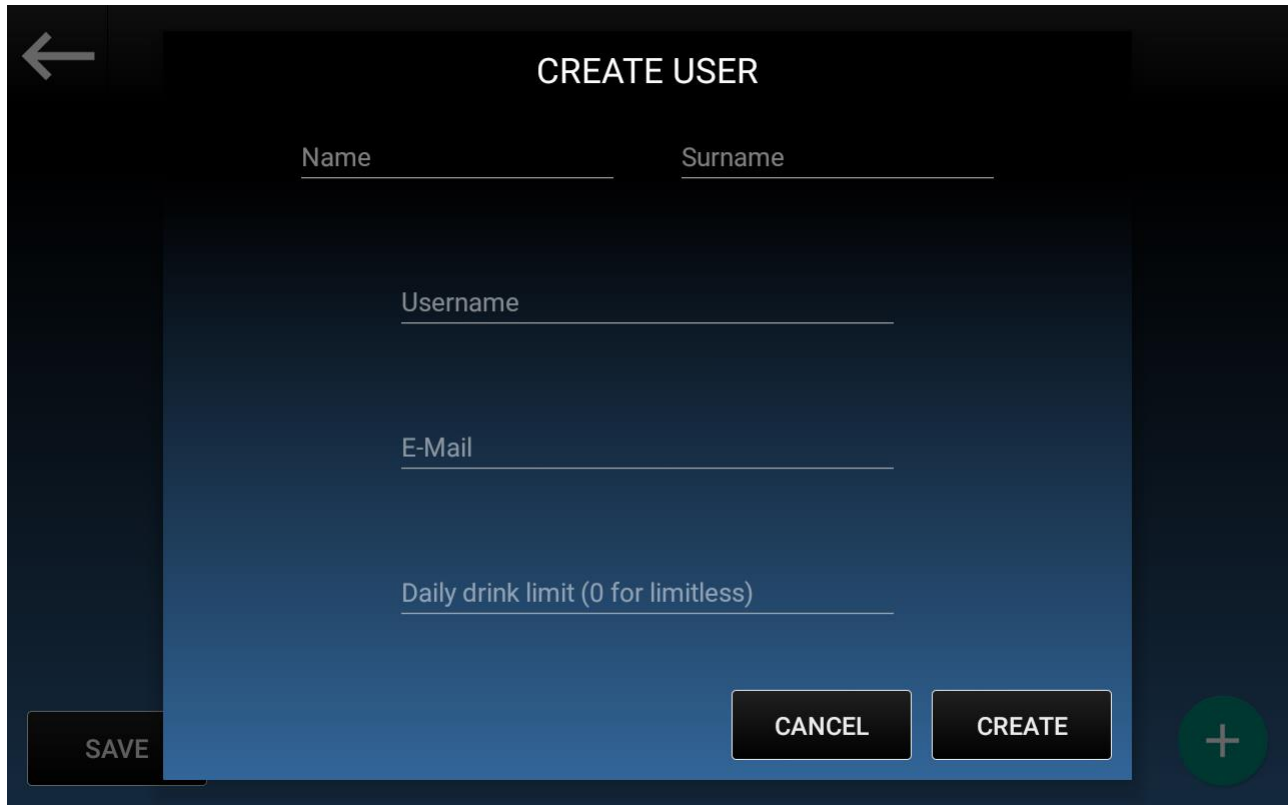
Push on the  button to show the available options.



You can either:

- **Create a new user**
- **Add an existing user**
- **See the Monthly drink counter**

In order to create a new user, press the  button.



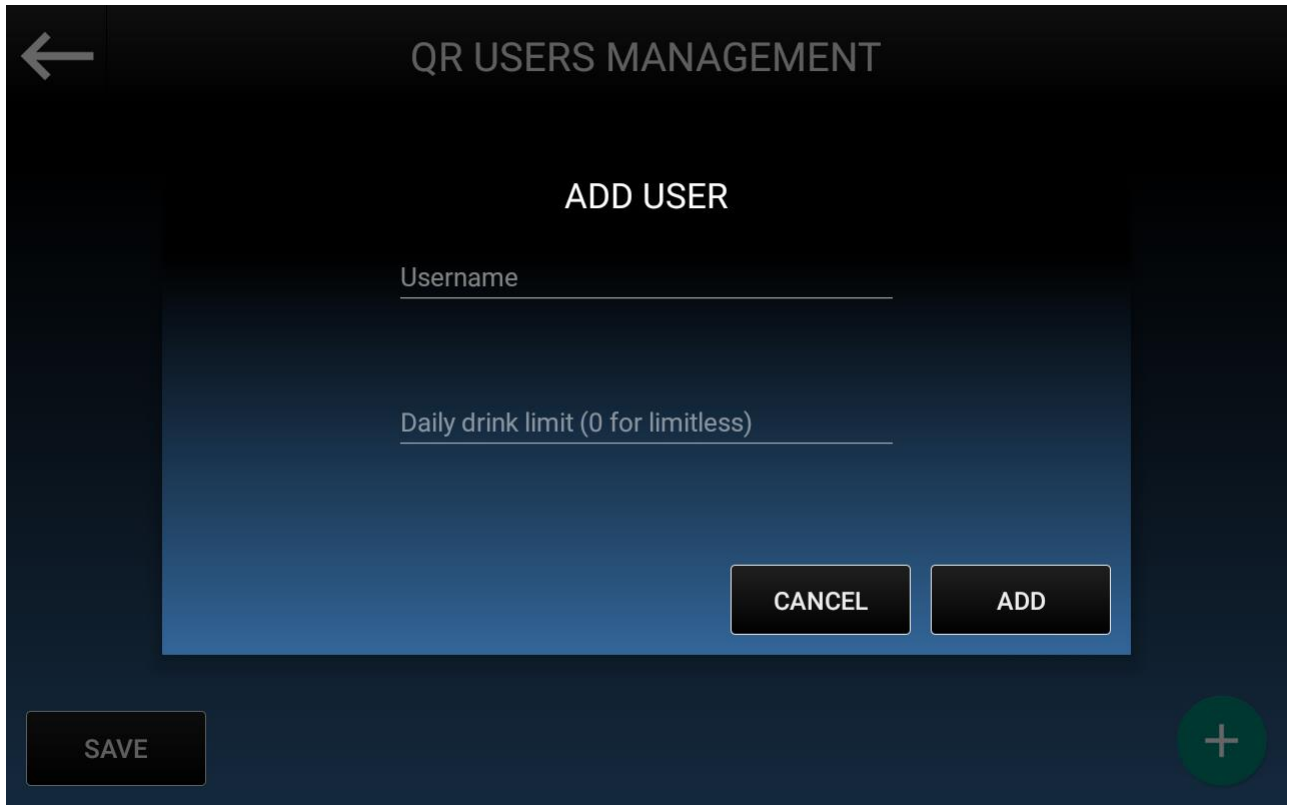
As the QR User has to be unique, you'll need the following data:

- **Name**
- **Surname**
- **Username** (by default generated as *name.username*)
- **Email**
- **Daily drink limit**

If you want to add a user you have already created on another machine, you can use the

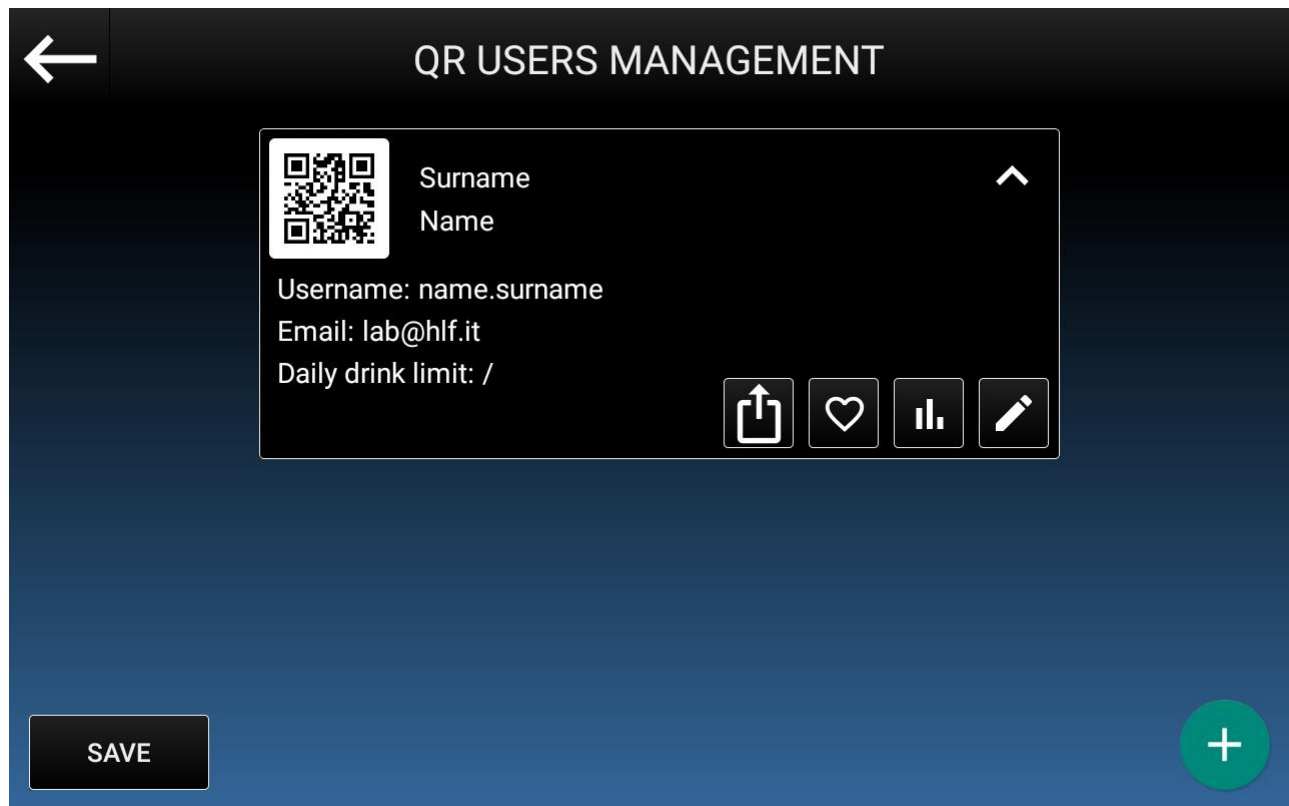


button.




In this case, you'll only need to write the **Username** and set the **Daily drink limit**.

After you'll have created/added a user, you will see the following screenshot:




You can use the arrow button to expand/collapse the user card.
For each user, the following operations are available:



- : To export the QR Code, either as an image file to a USB drive, or as an email attachment sent to the user email.




- : To select a favorite drink (including the preselections) associated with the user; This way, the user will be able to have the associated drink by showing his QR Code in the drink selection screen, without any other interaction with the machine.



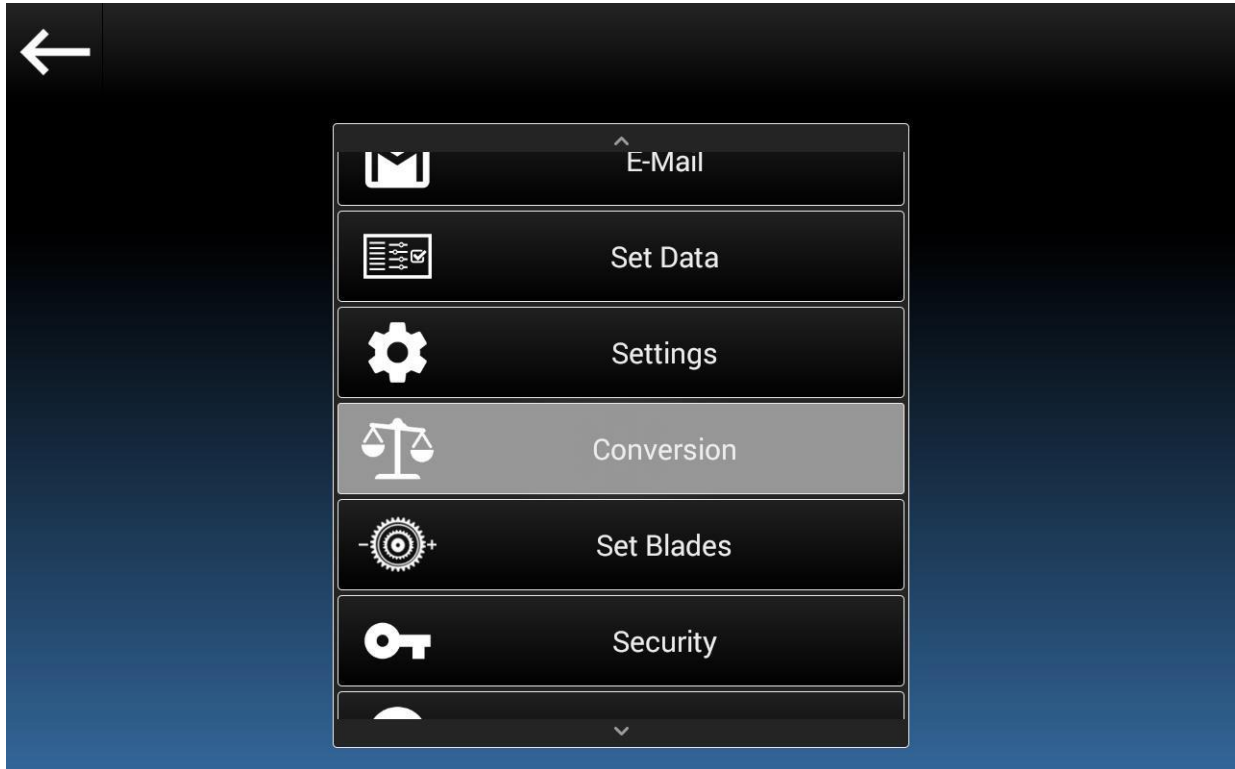
- : To see the drink history associated to the user.



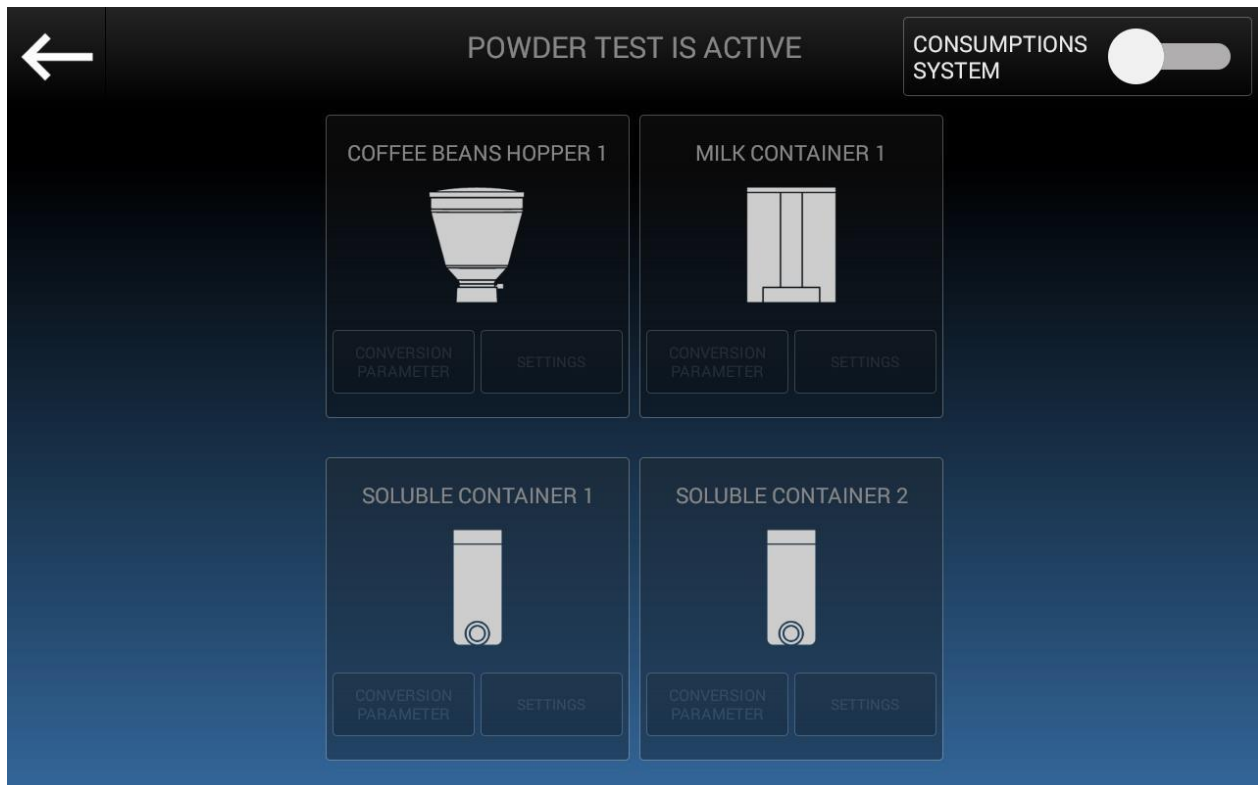
- : To edit the user data. Consider that changing the username will also change the QR Code, and the previous one will become unavailable.

5.3.8 Conversion

To access functions: push **Conversion**.



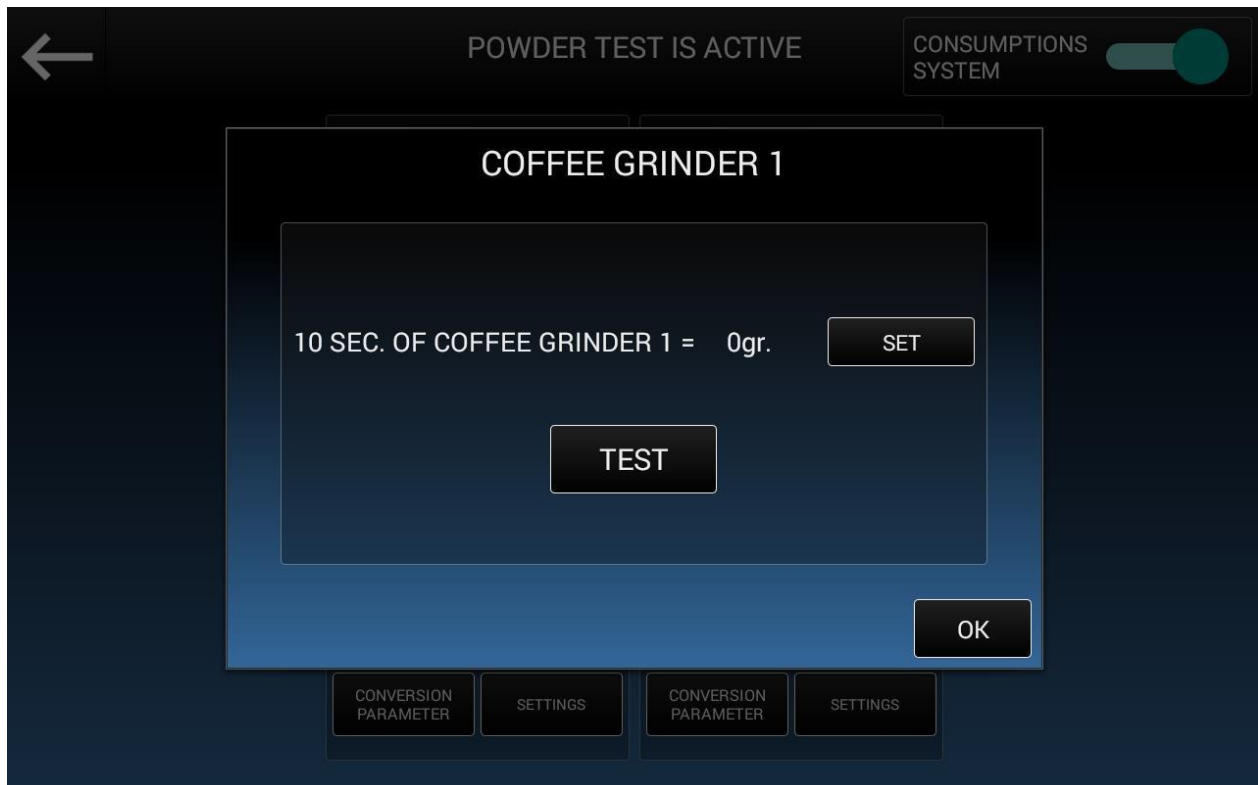
The following screenshot will appear on the touch screen.



The possible operations to do are the following:

- **Conversion parameter:** through this function it is possible to set conversion parameters.
Push on the product you need to set

The following screenshot will appear on the touch screen (the image below refers to the *Coffee beans hopper* section, for the other products the message remains the same)



Before pushing *Test* please follow the procedures below according to the product you have to set:

- Solubles Testing: remove the mixing bowls and place an empty container under the chutes. Then push *Test*.
- Coffee Testing: remove the coffee group, place an empty cup under the slide. Then push *Test*.
- Milk Testing: place an empty cup under the milk funnels. Then push *Test*.

**WARNING**

For the next step, the technician action is required.

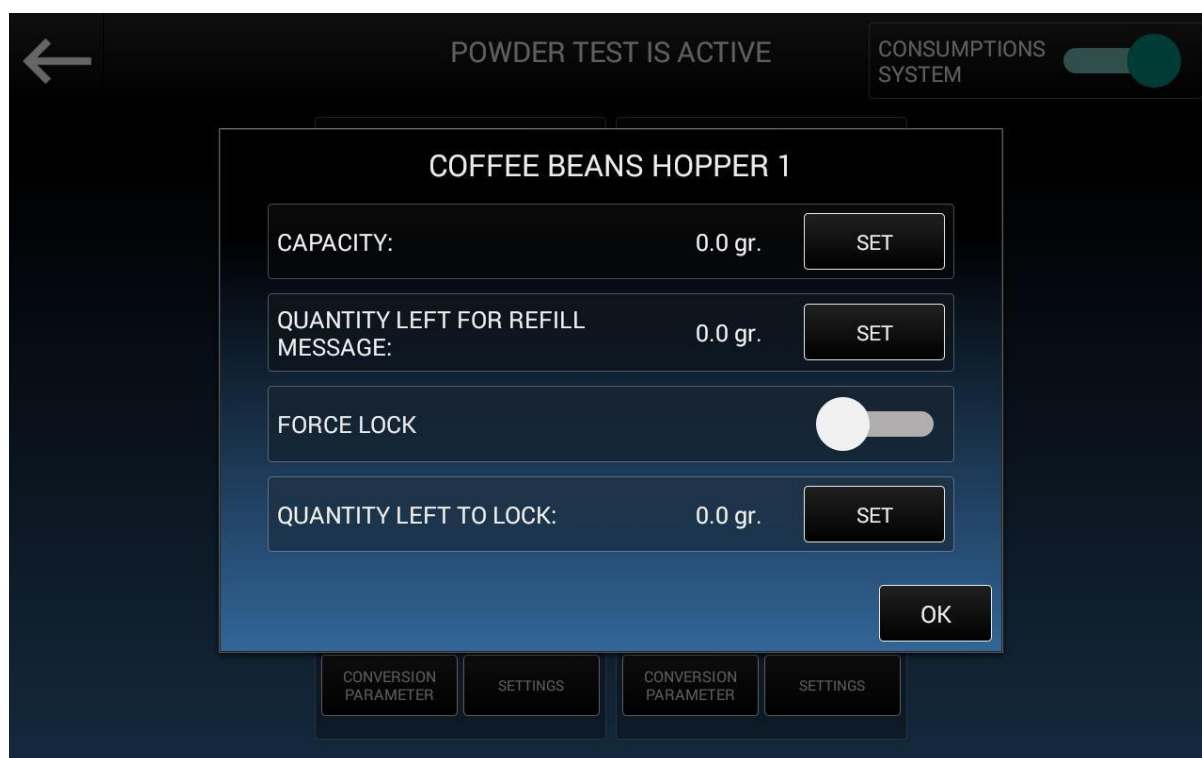
Once *Test* has been pushed and the product has been delivered, weigh it on the scale (make sure to reset the scale when the empty container is placed on the plate).

Then push *Set* and fill in with data figured out from the scale (expressed in grams). In this way, the quantity in grams corresponds to 10 seconds of the dispensing of the selected product.

- **Settings:** to set parameters for each product during the first installation of the machine.

Push on the product you need to set.

The following screenshot will appear on the touch screen (the image below refers to the *Coffee beans hopper* section, for the other products the message remains the same)



The possible operations to do are the following:

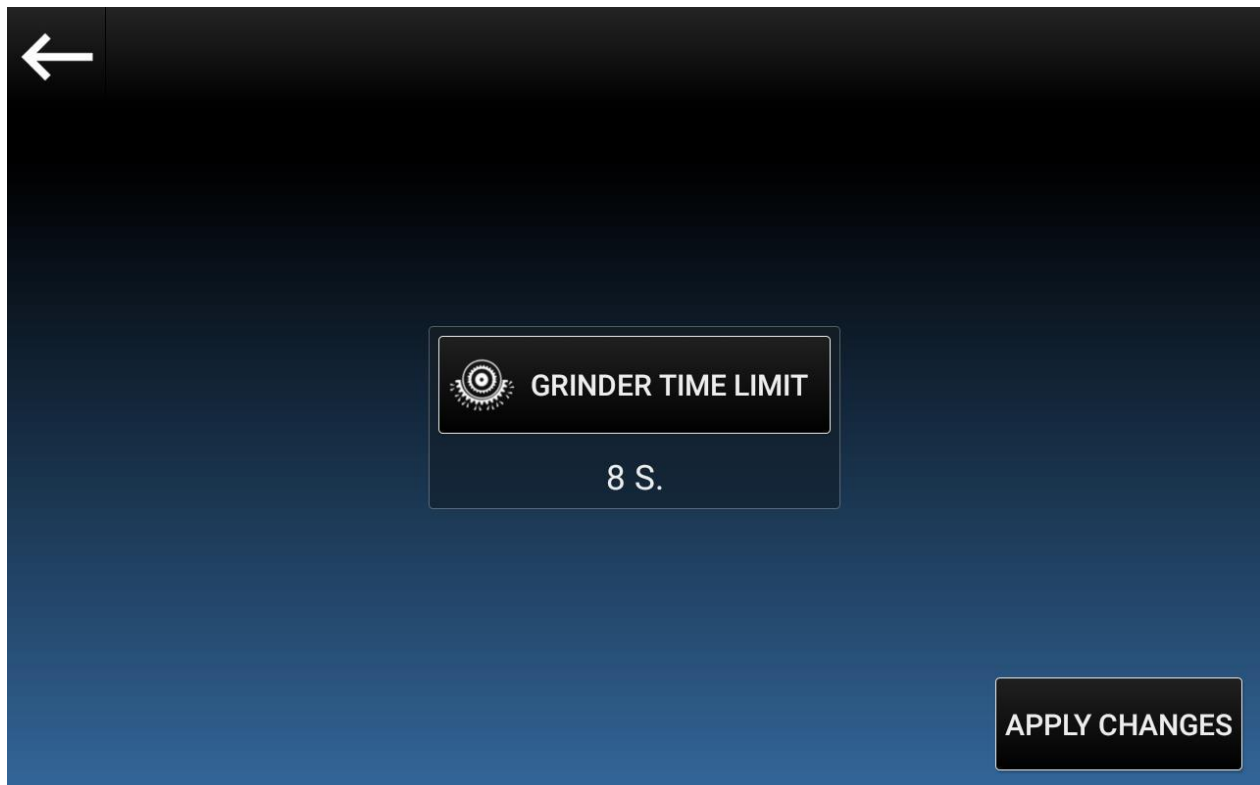
- **Capacity:** max quantity (in grams) of the product contained.
- **Quantity Left for Re-fill Message:** lower quantity (in grams) of the product under which the Re-Fill Message appears on the touch screen.
- **Force Lock:** to lock the drink delivery once the quantity consumed is reached (see *Quantity to Lock* below).
- **Quantity Left to Lock:** minimum quantity under which the machine locks.

5.3.9 Set Blades

To access functions: push **Set Blades**.



The following screenshot will appear on the touch screen.



The possible operations to do are the following:

- **Grinder Time Limit:** to set the grinding time limit; the maximum grinding time is 20 seconds.

5.3.10 Security

To access functions: push **Security**.



The following screenshot will appear on the touch screen.



The possible operations to do are the following:

- **Set User 1/2 Password:** to assign/change password for User 1/User 2.
- **Set Buttons for User 1/2 Menu:** to assign to the user the menu to manage.
- **Set Technician Password:** to assign/change password for Technician.
- **Hide menu icon:** to hide the menu key displayed in the top left corner of the main menu.
- **Set Counters Password:** to assign/change password to reset drink counters.
- **Set Grounds/Liters Password:** to assign/change password to reset grounds and liters counters.
- **Set Empty Grounds Drawer Password:** to assign/change password that has to be entered when the waste drawer is emptied.
- **Set Detergent Tank Refill Password:** to assign/change password that has to be entered when the detergent tank is refilled.

- **Set Cleaning Password:** to assign/change password to start the Daily Cleaning process.
- **Set Stop Cleaning Password:** to assign/change password to stop any cleaning process.
- **Set Jug Password:** to assign/change password to use a jug.
- **Set Motor Amps Password:** to assign/change password to access into the protected section in the technical menu.
- **Set RCS Password:** to assign/change password for the RCS.
- **Set Coffee Group Cleaning Password:** to assign/change password to start the coffee group cleaning process.
- **Set Cleaning Password:** to assign/change password to start the Daily Cleaning process.
- **Set Entire Cleaning Password:** to assign/change password to start the Entire Cleaning process.
- **Set Coffee Group Cleaning Password:** to assign/change password to start the Coffee Group Cleaning process.
- **Set Automatic Exit Timer:** set a timer after which the machine will automatically bring the user to the drink selection screen, when left unused inside a technical menu. Default is 90 sec.
- **Set Automatic Reboot Time:** set a time of the day at which the touchscreen will perform a reboot.
- **Set skip payment password:** to assign/change password to skip payment. Only available when the "Enable skip payment option" inside the Drink Prices section is activated.

5.3.11 Info

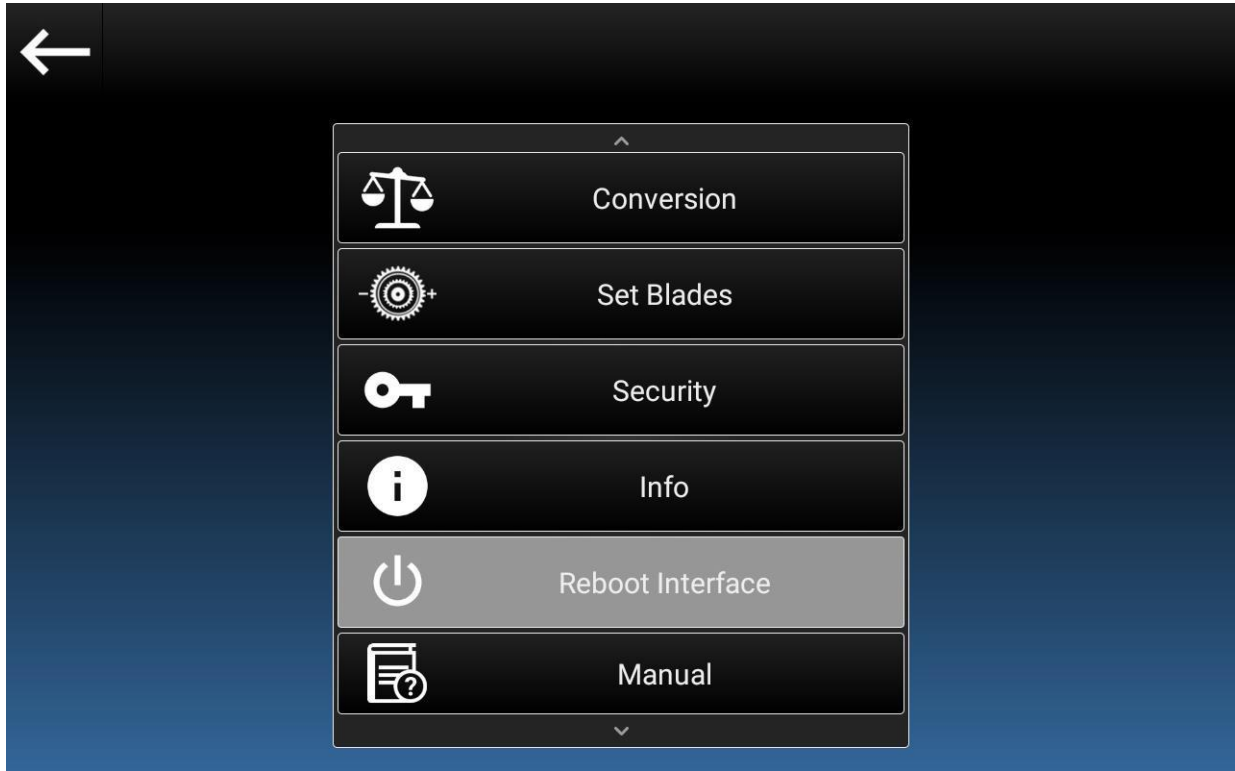
To access functions: push **Info**.



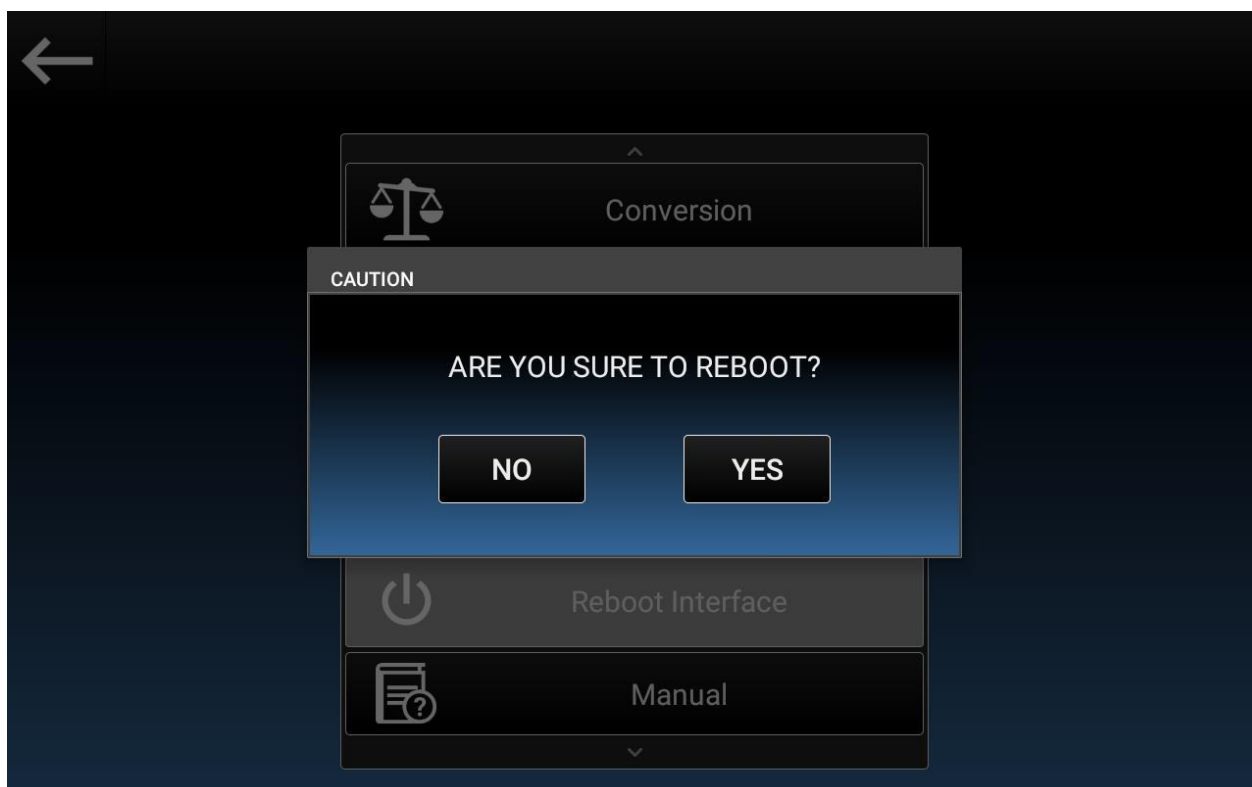
Information regarding machine and software will be displayed on the touch screen.

5.3.12 Reboot Interface

To access functions: push **Reboot Interface**.



The following screenshot will appear on the touch screen.



The possible operations to do are the following:

- **No**: cancel the operation and get back to the menu.
- **Yes**: Perform a touchscreen reboot.

This operation restart only the touch-screen display of the machine, not the all machine!

5.3.13 Manual

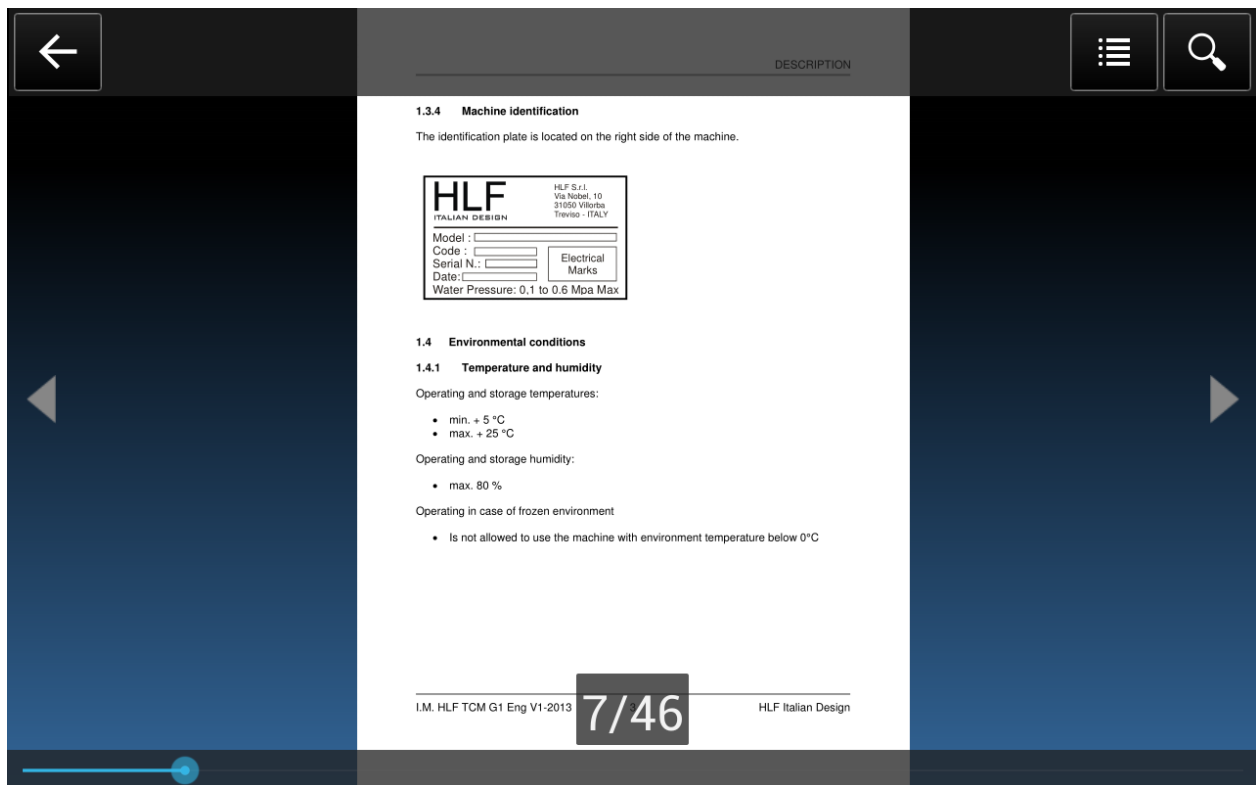
To access functions: push **Manual**.



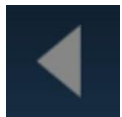
The application checks the version of the instruction manual installed (internet connection is required).

If a more recent version is found, you will be asked to start the download.

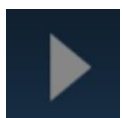
The PDF file of this Instruction Manual will be displayed on the touch screen.



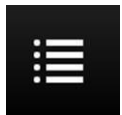
The possible operations to do are the following:



to scroll to the previous page



to scroll to the next page



to access the manual index and select a section



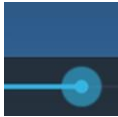
to search words



to scroll word backwards



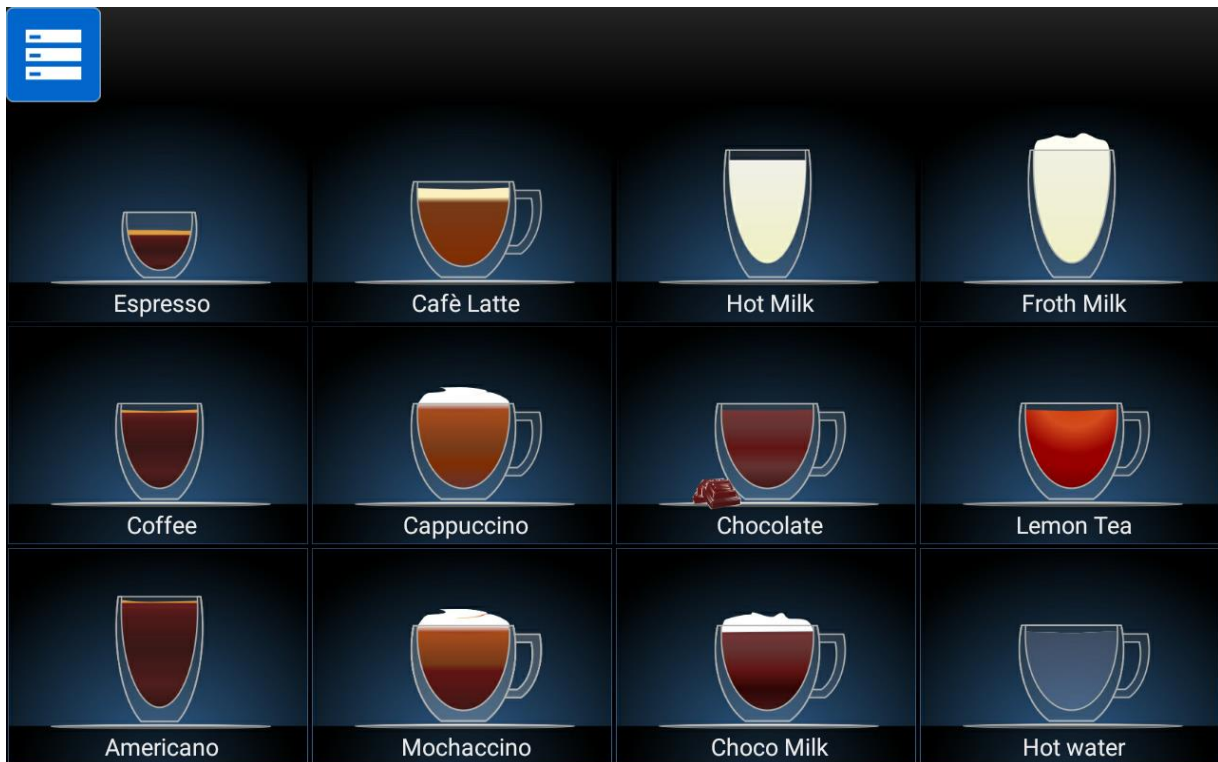
to search word forwards



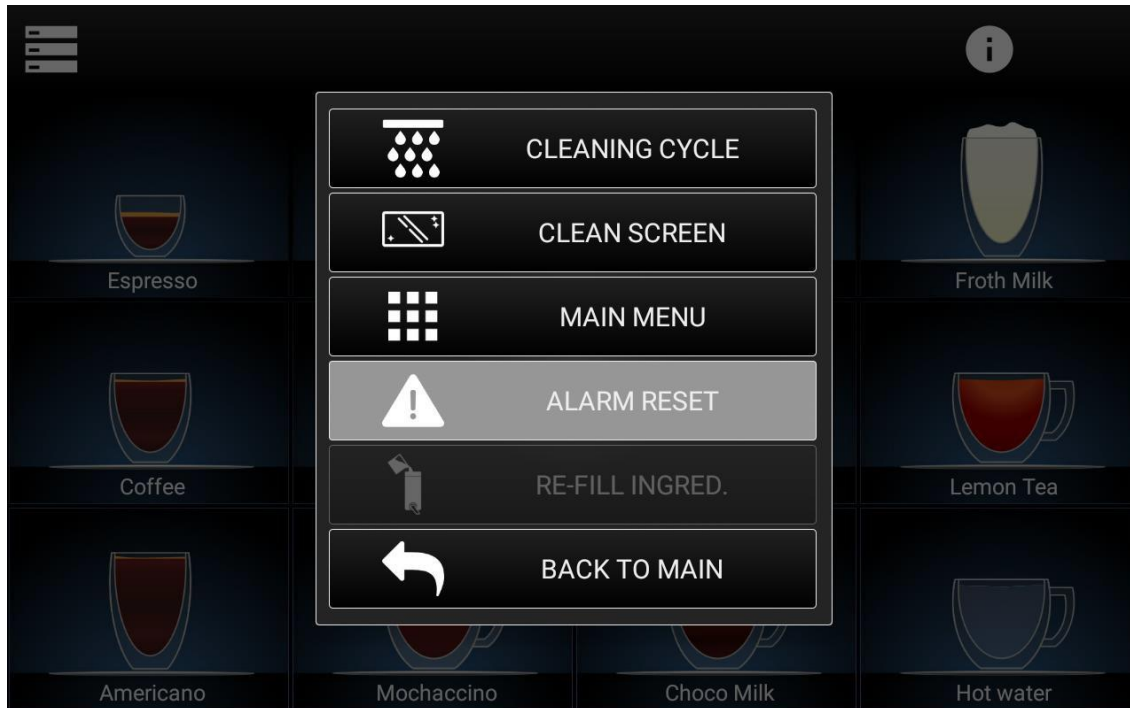
to scroll forwards/backwards

5.4 Alarm Reset

In order to access the computer software, push the top left corner.



Then push **Alarm Reset** key.



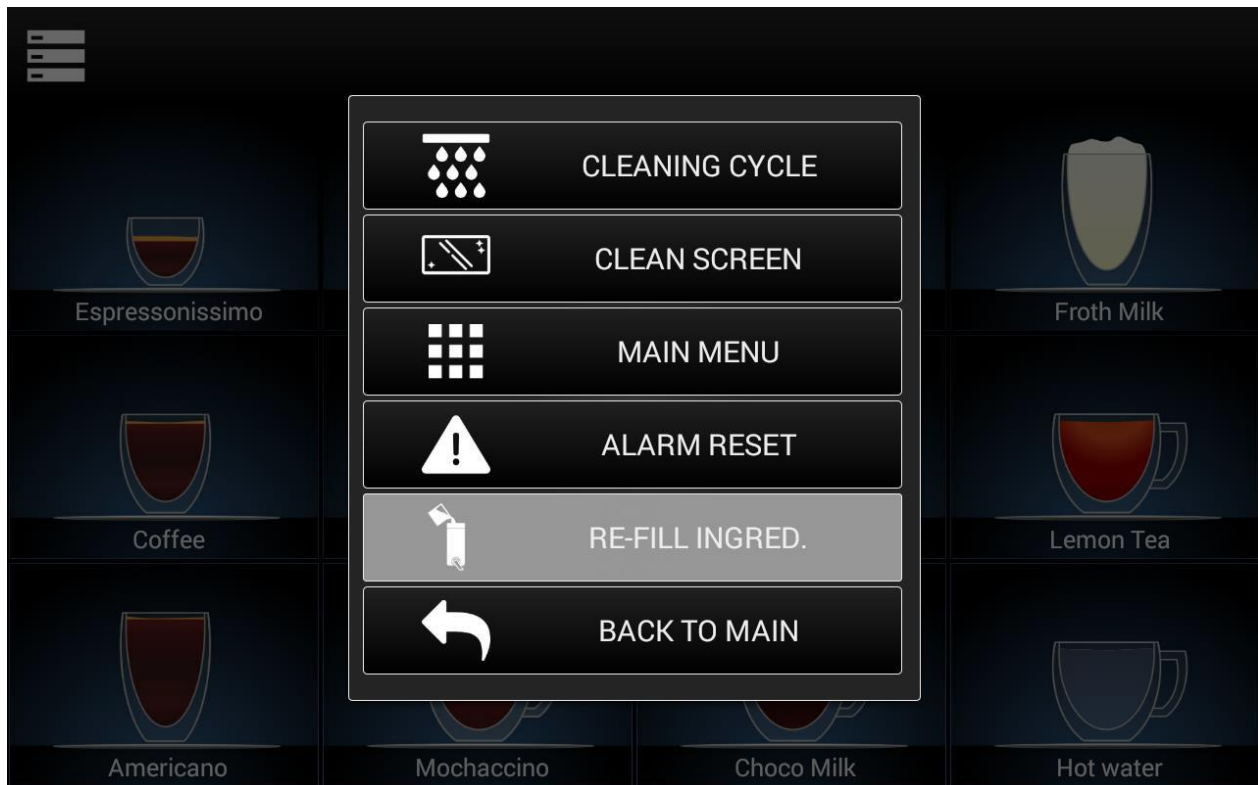
By pushing this function, all the alarms notifications (envelop on the top right corner) will be reset.

5.5 Re-Fill Ingrid.

In order to access the computer software, push the top left corner.



Then push **Re-Fill Ingred.** key.



Access the **Re-Fill Ingredients** section during the first installation of the machine in order to set parameters for each product container.

The **Re-Fill Ingredients** screenshot will be accessible only if the Consumptions System key (situated on *Conversion* section, see par. 5.3.8) is activated.

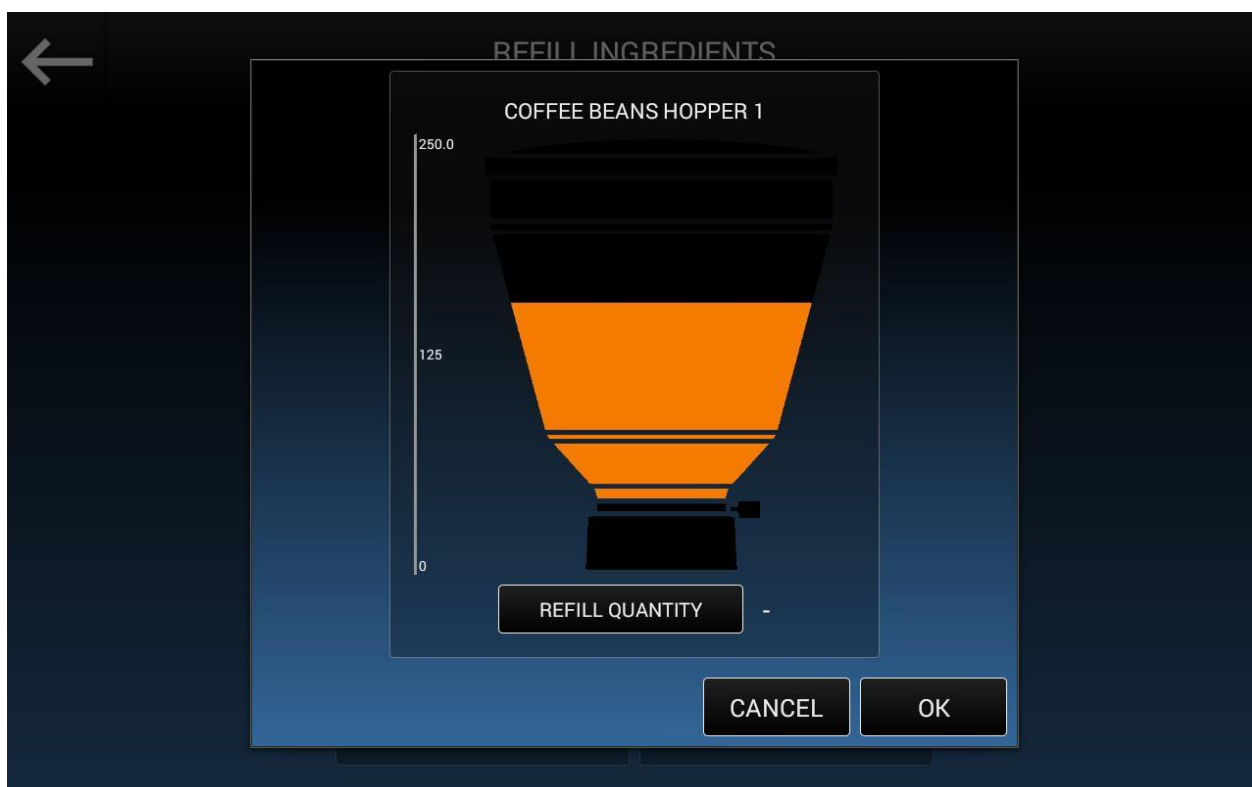
The following screenshot will appear on the touch screen.



The possible operations to do are the following:

- **Refill:** this key has to be pushed each time product containers are re-filled in order to reset counters and de-activate the *Re-fill Message*. This key is active only if you have set the container capacity (see par. 5.3.8 *Conversion*, section *Settings, Capacity*)

The following screenshot will appear on the touch screen (the image below refers to the *Coffee beans hopper* section, for the other products the message remains the same).



Push on **Refill Quantity** and specify the quantity (expressed in grams or ml) of product you are loading on the different containers.

Push **Ok** to confirm.

6 Daily maintenance Check list

6.1 Check list

This check list is the summary of the operations to do on a daily base to maintain the HLF 2700 in a perfect state ready to be used:

- ✓ Automatic Daily Cleaning. (Ref. chapter 4)
- ✓ Additional Daily Cleaning (manual). (Ref. chapter 4)
- ✓ Beans hopper/s filled with coffee beans
- ✓ Instant powder canisters filled
- ✓ Outside cleaned and dusted

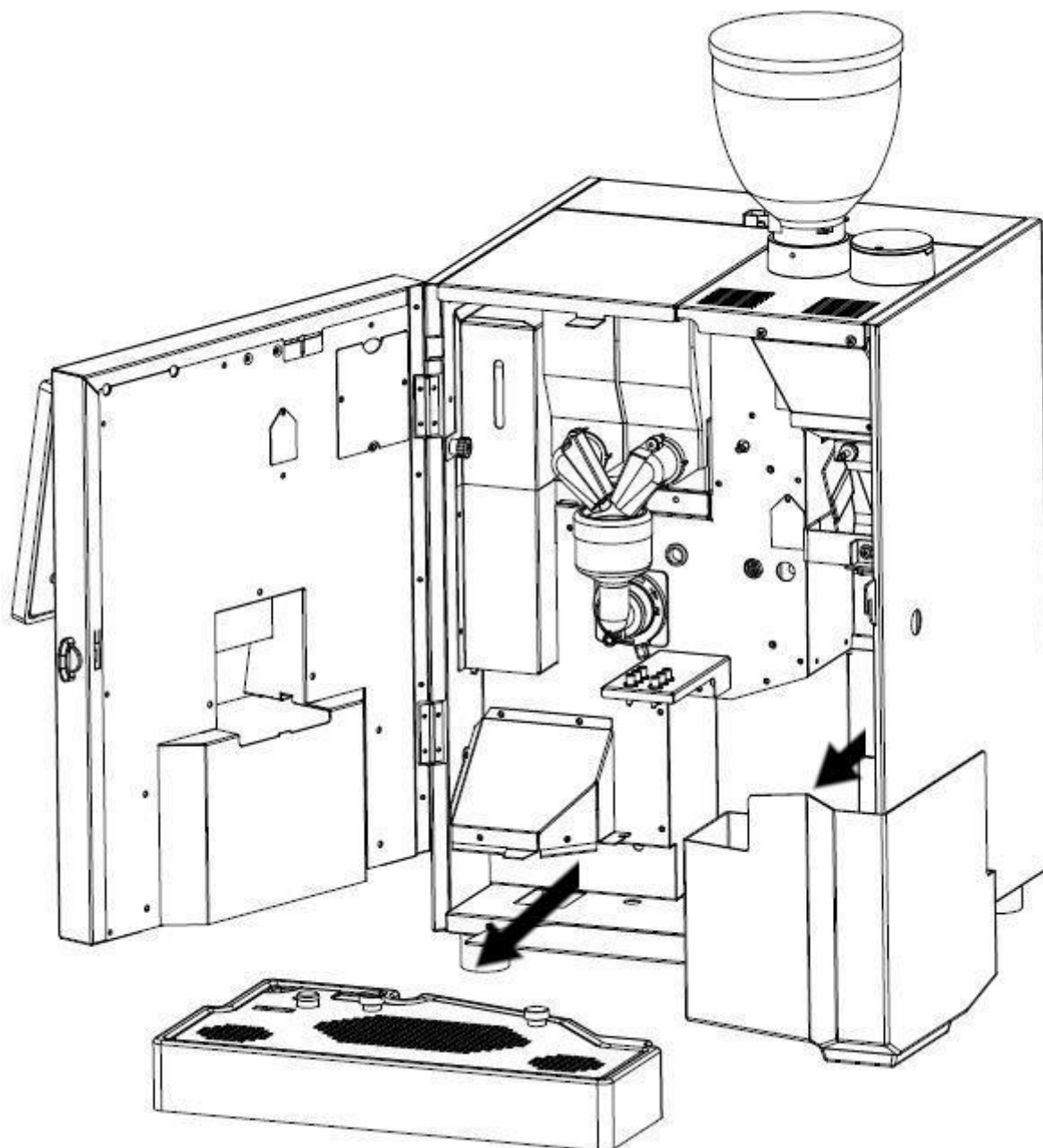


NOTE

- To access the inside of the machine, open the front door by inserting the key into the lock on the right side of the machine.
- Do not use water jets to clean the machine.
- The A-weighted sound pressure level is lower than 70 dB(A).

6.2 How to empty grounds drawer

In order to empty grounds drawer, follow the instructions below:



- Open the door;
- Remove the drip tray;
- Remove the grounds drawer;

7 Inactivity

In case of long inactivity of the coffee machine it is necessary to carry out certain preventive operations:

- ✓ Make all the cleaning cycles and clean the machine as well to avoid troubles when restarting the machine in the future.
- ✓ Turn OFF the HLF 2700.
- ✓ Disconnect the power cord from the wall plug.
- ✓ Empty coffee beans from the coffee beans hopper/s.
- ✓ Empty the instant powder canisters.
- ✓ Store in rooms with the environment requirements necessary (refer to paragraph 1.4, chapter 1).

8 Disposal

The following requirements must be observed in the case of disposal.



WARNING

Persons who satisfy the necessary qualification and training requirements may only carry out disassembly and disposal of the equipment.



NOTE

Information on disposal organizations and collection points can be obtained from your local administrative authority.

During disposal, it is necessary in any case to comply with the pertinent national and regional laws and directives.

The machines do not contain any materials whose disposal requires special approval.

- Disconnect equipment from power.
- Remove any product raw materials, such as coffee beans and instant soluble powders, from the equipment.
- Empty coffee grounds container.
- Take the equipment apart.
- Recycle individual parts according to material type.
- Dispose of non-recyclable materials according to type.

9 Guarantee, consumables, spare parts, ordering procedure

9.1 Guarantee

We guarantee the trouble-free function of this machine for 12 months or a maximum 100'000 beverage dispenses. The guarantee period starts from the day of delivery.

During the guarantee period any defects, which can be traced back to material faults, defective workmanship or faulty construction, will be free rectified by us or by a company authorized by us. The precondition here is the proper use and the correct handling of the machine according to the relevant descriptions in this operating manual.

Accordingly, we will not accept any liability in the following cases:

- Faults caused by contamination as a result of improper cleaning (e.g. blocked valves or mixer)
- Faults due to lime scale build-up or other deposits when operated with water softening equipment (e.g. boiler or water pumps)
- Faults due to excess electrical voltages (e.g. burned computer boards)

We will not accept liability for damage to all devices arising from poor maintenance and care by the customer. We will not accept liability for defects and faults in our equipment, which can be traced back to inexperienced repairs or the installation of spare parts which do not correspond with the original versions. The manufacturer assumes no liability for any consequences resulting from modifications having been made to the devices, whether inside or out.

Normal wear of all parts, which are subject to natural wear, is excluded from the guarantee.

This includes:

- Seals
- Filters
- Coffee group
- Paint coatings
- Grinding discs

Labor costs for disassembly and re-assembly of the parts and any time of diagnosis are not covered under warranty.

To validate the guarantee claim the defective part must be returned to the manufacturer. After inspecting the returned part, the manufacturer reserves the right to reject a guarantee claim if one of the conditions referred to above exists.

The acceptance of a guarantee claim for damage due to a fault is only possible following the written report of the manufacturer. Quality settings, which were not carried out on the basis of the fault, are excluded from the guarantee. Any work carried out during the guarantee period will not extend its term.

9.2 Consumables, spare parts, ordering procedure

This normally affects service technicians, third-party customers or resellers.

To avoid misunderstandings when ordering consumable materials or spare parts, we request that you always provide the following data with your order:

- Device identification according to the type plate.
- Description and article number of the consumable material or spare part.
- Quantity of the required consumable materials or spare parts.

Device-specific consumable materials or spare parts must only be procured from the customer service location in the respective country. Can be used only device-specific spare parts made by the manufacturer.

The manufacturer rejects any liability for the situation in which it is found that non device-specific spare parts have been installed in the respective machine.

10 Troubleshooting

While operating, the computer board monitors the operating status continually. Faults are displayed on the Touch Screen. In case of malfunctions, the user / operator can intervene in accordance with the procedures described in this chapter and attempt to troubleshoot the problem.

10.1 Checklist for fault diagnosis and troubleshooting

MESSAGE	CAUSE / ACTION 1	CAUSE / ACTION 2
E11-DRIP TRAY FULL	The drip tray is full. Empty the drip tray.	The drip tray microswitch is damaged. Contact the Service and Support.
E13-FLOW METER KO	The message appears during the coffee delivery. A grinder regulation is required.	Malfunction of the water circuit. Contact the Service and Support.
E15-COFFEE GROUP OUT	The coffee group is not inserted. Check the correct positioning of the coffee group.	Coffee group presence microswitch is damaged. Contact the Service and Support.
E16-CHECK WATER	The water level is insufficient. Check that the water line power is operative and running. Push the message to delete it.	Malfunction of the water line loading system. Contact the Service and Support.
E17-HEATING	The machine is warming up after ignition. Wait for the machine to be ready.	The message remains on display for more than 30 min. Contact the Service and Support.
E18-CLEANING CYCLE REQUIRED	Whipper cleaning is required. Press on the message to access the cleaning section and run a Whipper Cleaning.	

MESSAGE	CAUSE / ACTION 1	CAUSE / ACTION 2
---------	------------------	------------------

E19-DESCALING REQUIRED	Descaling process is required. Contact the Service and Support.	
E23-EMPTY GROUNDS DRAWER	The grounds drawer is full. Empty the grounds drawer and press the message to reset the count. If the drawer is not completely full, empty it anyway.	
E24-DOOR OPEN	The machine door is open. Close the machine door.	The door microswitch is damaged. Contact the Service and Support.
E25-CHECK FILTER	It's time to replace the descaling filter. Contact the Service and Support.	
E39-COFFEE GROUP POSITIONING	Coffee group is positioning. Wait for the completion of the positioning.	The message remains on display for more than 2 min. Off and on again the machine or contact the Service and Support.
E46-FRIDGE PROBE OVER TEMP.	Malfunction of the fridge temperature probe. Contact the Service and Support.	
E47-FRIDGE PROBE DISCONNECTED	Malfunction of the fridge temperature probe. Contact the Service and Support.	
E52-GROUP 1 PROBE OVER TEMP.	Malfunction of the coffee group temperature probe. Contact the Service and Support.	
E53-GROUP 1 PROBE DISCONNECTED	Malfunction of the coffee group temperature probe. Contact the Service and Support.	

MESSAGE	CAUSE / ACTION 1	CAUSE / ACTION 2
E58-BOILER 1 PROBE OVER TEMP.	Malfunction of the boiler temperature probe. Contact the Service and Support.	
E59-BOILER 1 PROBE DISCONNECTED	Malfunction of the boiler temperature probe. Contact the Service and Support.	
E62-CHECK GRINDER 1	Grinder 1 is blocked. Do the blades unblock procedure.	Malfunction of the coffee grinder 1. Contact the Service and Support.
E64-GRINDER 1 BLADES MOTOR TIMEOUT	Malfunction of the automatic blades 1. Contact the Service and Support.	
E72-CLEAN COFFEE GROUP	An excessive consumption for the coffee group movement has been detected. Remove the coffee group and wash it thoroughly under running water using a sponge to remove all traces of coffee as much as possible. Push on the message to delete it.	Malfunction of coffee group moving system. Contact the Service and Support.
E73-FLASH MEMORY ERROR	Malfunction of the electronic board. Contact the Service and Support.	
E74-COFFEE GROUP TIMEOUT	Malfunction of coffee group moving system. Contact the Service and Support.	
E75-COFFEE GROUP MOTOR TIMEOUT	Malfunction of coffee group moving system. Contact the Service and Support.	
E76-MILK OUTPUT SOLENOID VALVES DISCONNECTED	Module not found. Contact the Service and Support.	

E77-MIXING BOWLS DISCONNECTED	Module not found. Contact the Service and Support.	
E78-WATER PUMP MODULE DISCONNECTED	Module not found. Contact the Service and Support.	
E79-FRESH MILK MODULE DISCONNECTED	Module not found. Contact the Service and Support.	
E80-GRINDERS MODULE DISCONNECTED	Module not found. Contact the Service and Support.	
E81-SOLUBLE MOTORS MODULE DISCONNECTED	Module not found. Contact the Service and Support.	
E82-BOILER MODULE DISCONNECTED	Module not found. Contact the Service and Support.	
E83-DOOR MODULE DISCONNECTED	Module not found. Contact the Service and Support.	
E84-SOLUBLE SENSORS DISCONNECTED	Module not found. Contact the Service and Support.	
E85-COFFEE GROUP MOTOR COUNTER DISCONNECTED	Module not found. Contact the Service and Support.	
E86-POWER SUPPLY MODULE DISCONNECTED	Module not found. Contact the Service and Support.	
E87-BOARDS MODULE DISCONNECTED	Module not found. Contact the Service and Support.	
E88-CURRENT OVERLOAD	An excessive power consumption has been detected. Press the message to delete it.	A persistent excessive power consumption has been detected. Contact the Service and Support.
E92-FLASH WRITE ERROR TRIAC BOARD 1	Malfunction of the electronic board. Contact the Service and Support.	
E100-FLASH WRITE ERROR OUTPUT BOARD 1	Malfunction of the electronic board. Contact the Service and Support.	

E102-EEPROM WRITE ERROR MOTHERBOARD	Malfuction of the electronic board. Contact the Service and Support.	
E103-GRINDER 1 RESET REQUIRED	Malfuction of the automatic blades 1. Contact the Service and Support.	
E105-GRINDER UNBLOCK PENDING	The automatic blades unblock procedure has been interrupted. Do the procedure again.	Unable to do the automatic blades unblock procedure. Contact the Service and Support.
E111-OUTPUT BOARD 1 VERSION INCOMPATIBLE	Software incompatibility. Contact the Service and Support.	
E113-TRIAC BOARD 1 VERSION INCOMPATIBLE	Software incompatibility. Contact the Service and Support.	
E119-CHANGE GIVER INCOMPATIBLE	Change giver payment device incompatibility. Contact the Service and Support.	

E120-CASHLESS DEVICE INCOMPATIBLE	Cashless / keys payment device incompatibility. Contact the Service and Support.	
E121-BILL VALIDATOR INCOMPATIBLE	Bill validator incompatibility. Contact the Service and Support.	
E122-OUT OF COFFEE GRINDER 1	Beans hopper 1 is empty. Fill the beans hopper 1 and push on the message to delete it.	Malfuction of the coffee grinder 1. Contact the Service and Support.
E124-COFFEE GROUP CLEANING REQUIRED	It's time to clean the coffee group. Push on the message to access the cleaning section and run a Coffee Group Cleaning.	

E125-NOT CONNECTED	No communication. Turn the machine OFF for 5 seconds and back ON again. Wait a few seconds to allow the connection.	The message remains on display for more than 2 min. Contact the Service and Support.
E126-DRIP TRAY OUT	The drip tray is not inserted. Insert the drip tray	The drip tray presence switch is damaged. Contact the Service and Support.
E127-WASTE DRAWER FULL	Waste liquid drawer inside the drawer is full. Empty the waste liquid drawer inside the drawer.	Waste liquid drawer microswitch is damaged. Contact the Service and Support.
E128-CASHLESS 2 MALFUNCTION	Malfunction of the mobile cashless system. Push the message to delete it.	Persistent malfunction of the mobile cashless system. Contact the Service and Support.
E129-BOILER HEATING FAILURE	Malfunction of the boiler heating element. Push the message to delete it.	Persistent malfunction of the boiler heating element. Contact the Service and Support.

E130-REFUND CASHLESS 1 NOT AVAILABLE	Cashless system is not able to refund a possible dispensing went wrong.	
E131-CASHLESS DEVICE 2 INCOMPATIBLE	Cashless / keys payment device incompatibility. Contact the Service and Support.	
E132-REFUND CASHLESS 2 NOT AVAILABLE	Mobile cashless system is not able to refund a possible dispensing went wrong.	
E133-CASHLESS 1 MALFUNCTION	Malfunction of the cashless system. Push the message to delete it.	Persistent malfunction of the cashless system. Contact the Service and Support.
E134-GROUP HEATING FAILURE	Malfunction of the coffee group heating element. Push the message to delete it.	Persistent malfunction of the coffee group heating element. Contact the Service and Support.

E141-FILLING WATER	The machine is loading water. Wait for the machine to be ready.	
E144-REFILL COFFEE BEANS HOPPER 1	The coffee into the beans hopper 1 is almost finished. Refill the beans hopper 1 and reset the counter into the menu "RE-FILL INGRED."	
E146-REFILL MILK CONTAINER 1	The milk into the milk container 1 is almost finished. Refill the milk container 1 and reset the counter into the menu "RE-FILL INGRED."	

E148-REFILL SOLUBLE CONTAINER 1	The product into the soluble container 1 is almost finished. Refill the soluble container 1 and reset the counter into the menu "RE-FILL INGRED."	
E149-REFILL SOLUBLE CONTAINER 2	The product into the soluble container 2 is almost finished. Refill the soluble container 2 and reset the counter into the menu "RE-FILL INGRED."	
E150-REFILL SOLUBLE CONTAINER 3	The product into the soluble container 3 is almost finished. Refill the soluble container 3 and reset the counter into the menu "RE-FILL INGRED."	

E171-MILK FLOW METER KO	Milk flow meter malfunction. Contact the Service and Support.	
E185-MOTHERBOARD UPDATE REQUIRED	Electronic board needs to be updated. Contact the Service and Support	

E186-TRIAC BOARD 1 UPDATE REQUIRED	Electronic board needs to be updated. Contact the Service and Support	
E191-OUTPUT BOARD 1 UPDATE REQUIRED	Electronic board needs to be updated. Contact the Service and Support	
E198-DETERGENT TANK LEVEL LOW	The detergent level is low. Fill the detergent tank.	
E225-COMMUNICATION ERROR	No communication. Contact the Service and Support	
E226-USB NOT CONNECTED	The USB communication cable is not connected. Connect the USB communication cable.	

HLF[®]
ITALIAN DESIGN



HLF S.r.l.
Via Postioma, 34
31050 Vascon di Carbonera | Treviso | Italy
T +39 0422 969 205 | F +39 0422 963 933
www.hlf.it | info@hlf.it