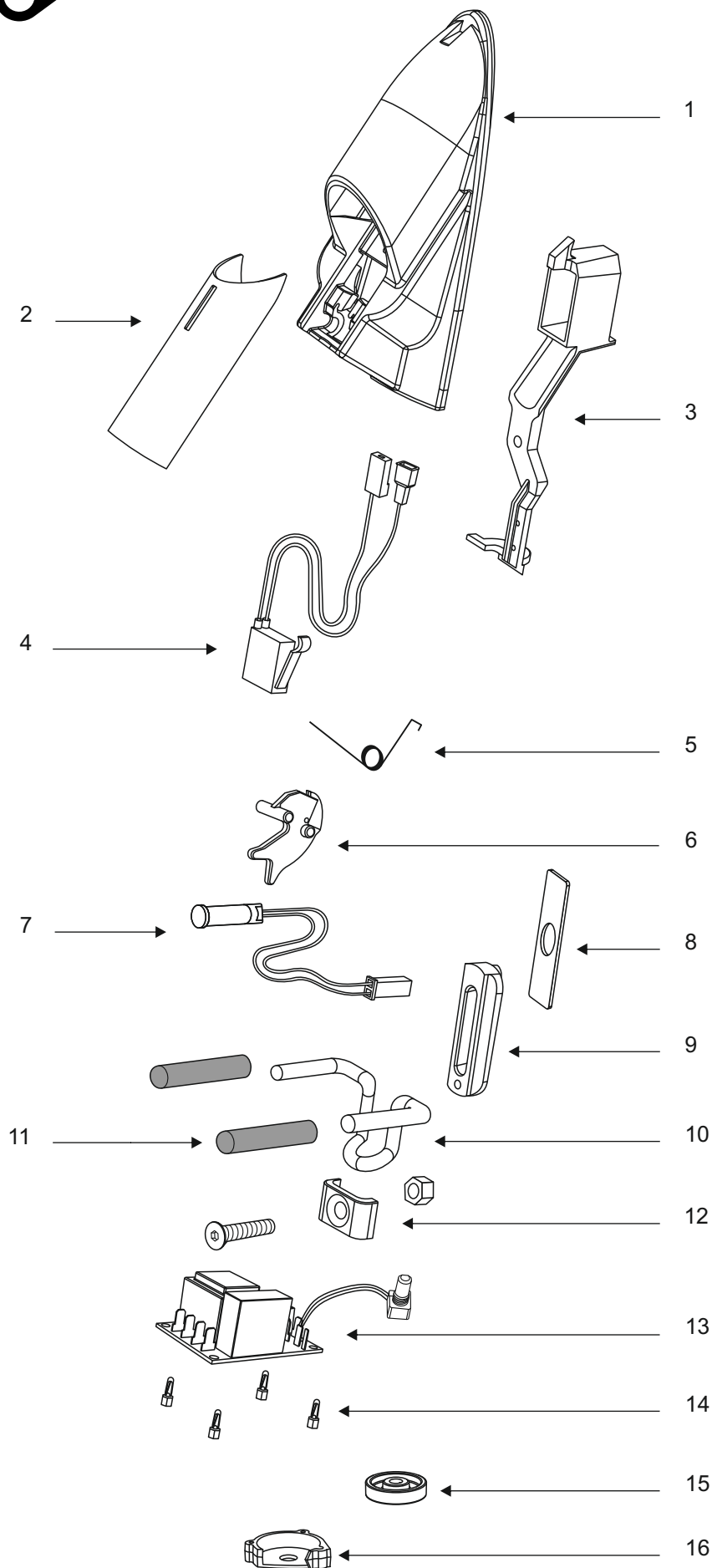


| | | |
|--------------|--|--|
| Model | | |
| M2D | | |

| | | |
|--------------|--------------|-------------|
| Evol. | Table | Date |
| 5 | 1/3 | 07/11/2017 |

| N. | Code | Features |
|----|--------------|--------------|
| A | C2470011 | |
| 1 | C247001 | |
| 2 | C247002 | |
| 2A | C247002A | |
| 2B | C247003 | |
| 3 | C2420041 | |
| 3A | C247005 | |
| 3B | C242004 | |
| 4 | C244047 | |
| 5 | C244006 | |
| 6 | C242007 | |
| 7 | C241010 | |
| 8 | C244060 | |
| 8A | C244046 | |
| 8B | C244045 | |
| 9 | C248044 | |
| 10 | C241012C... | |
| | C241012RC... | /R |
| 11 | C246015 | |
| 12 | C246011 | 230V-50/60Hz |
| | C246011B | 110V-60Hz |
| 13 | C00061107 | 230V-50/60Hz |
| | C246060 | 110V-60Hz |
| 14 | C246050 | |
| 15 | C247013 | |
| 16 | C247016 | |
| 17 | C247049 | |
| 18 | C246051 | SHUKO |
| | C2460511 | USA |
| | C2460512 | UK |
| | C2460513 | AUSTRALIA |
| | C2460514 | SWITZERLAND |

| Descriptions | |
|---------------|----------|
| Available | |
| Not available | |
| /R | Stepless |



| | | |
|-------|--|--|
| Model | | |
| M2D | | |

| | | |
|-------|-------|------------|
| Evol. | Table | Date |
| 5 | 2/3 | 07/11/2017 |

| N. | Code | Features |
|----|------------|--------------|
| 1 | C247017D | |
| 2 | C244020 | |
| 3 | C242019 | |
| 4 | C246052F | |
| 5 | C248021 | |
| 6 | C00020112 | |
| 7 | C246059 | |
| 8 | C244058 | |
| 9 | C00071803 | |
| 10 | C000413401 | |
| 11 | C00071802 | |
| 12 | C00020111 | |
| 13 | C00061643 | 230V-50/60Hz |
| | C00061644 | 110V-60Hz |
| 14 | C247053 | |
| 15 | C00071804 | |
| 16 | C00071805 | |

| Descriptions | |
|---------------|----------|
| Available | |
| Not available | |
| /R | Stepless |
| | |
| | |

