

HLF 1700



QUICK START INSTRUCTIONS

ENGLISH
Part Code: 9BQE17G06



RETAIN FOR FUTURE USE !

The copyright of these Instructions Manual, which are entrusted to the recipient personally, remains with the HLF company.

The content may not be disclosed or made available to any third party without the express consent of the HLF company.

These Operating Instructions must be read and applied by anyone performing work with or on the equipment described.

In particular, it is imperative that all such persons familiarise themselves with the safety instructions.

1 Installation

1.1 Transport

During the transport of the HLF 1700 coffee maker it is important to avoid the following operations:

- Turning the box upside down or lay it down on its side
- Dropping the box
- Exposing it to rain, excessive cold or heat, or damp places

1.1.1 Receiving the unit



NOTE

Before to open the box of the HLF 1700 coffee maker, check out the packaging to be sure there is no damage.

If damage is noticed, place a claim with the freight forwarder immediately.

Check for:

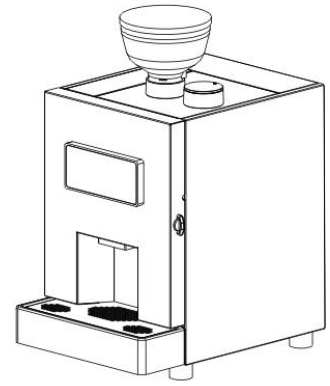
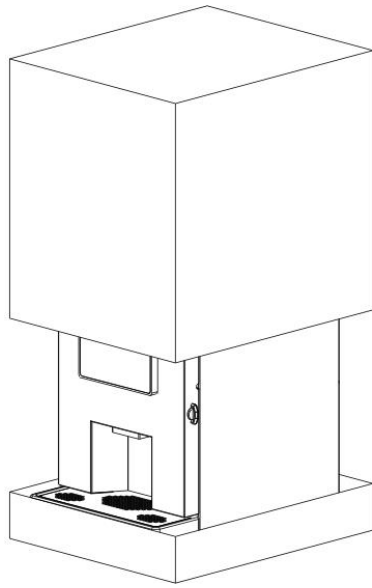
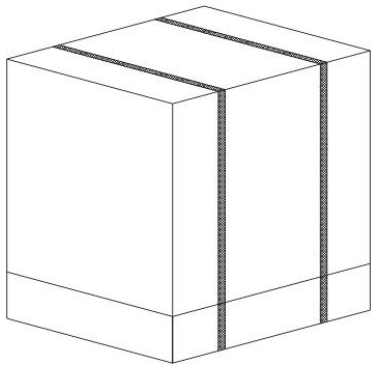
- Dents or damage of the box
- Wet areas
- Signs of tampering

1.1.2 Un-packing

The HLF 1700 coffee maker is packed in a strong carton specifically designed for this unit. This should protect the unit during the transportation.

To further protect it, take out the unit from the box only when you have reached the location where the machine will be installed, and only after all the electrical and water connections are in place.

To take out the unit, you have to cut the plastic strip, and take out the upper carton cover with the white styrofoam sheets. Then you can take out the pallet.





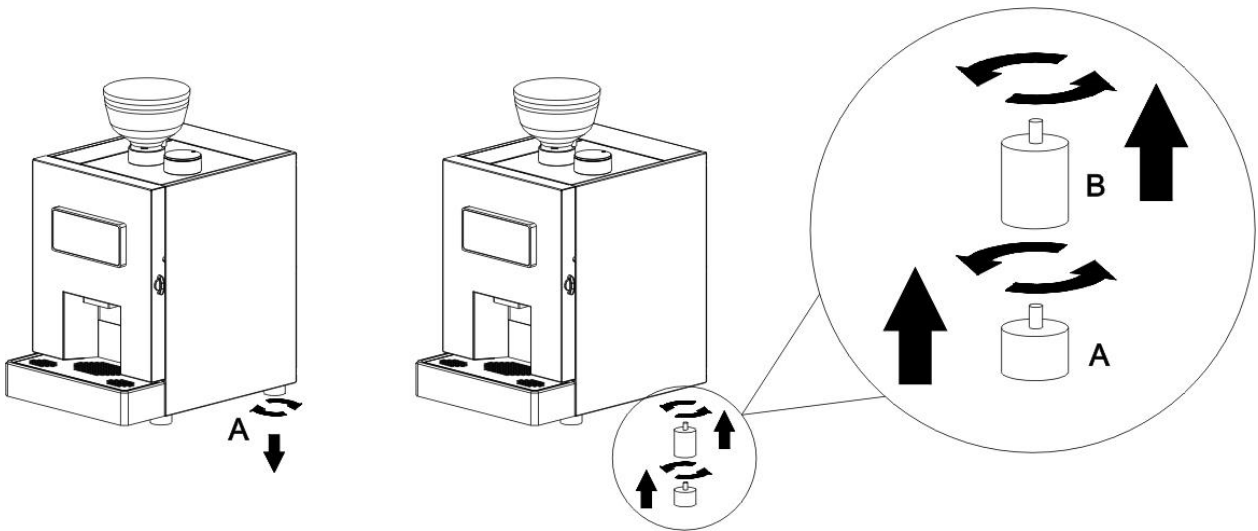
NOTE

Only for installations in the United States of America

To meet the cleaning requirements in the United States, it is mandatory to install the raising-machine kit.

Remove the four feet from the raising-machine kit accessory box, previously ordered.

**Unscrew all the feet (A) supporting the coffee machine;
screw the foot (B) (accessory) to foot (A);
fix the support under the machine and repeat for the other 3 supports.
(See image below)**



CAUTION

The packing material must not be left accessible to others, as it is a potential source of danger. For the disposal contact qualified companies.

Now the unit is free and ready to be installed on a base, table or cabinet strong enough to hold 50 Kg.

1.1.3 Checking the internal of the unit

Open the front door and check if any damage is visible. If you see damage, call for technical service.



WARNING

Don't try to operate the HLF 1700 coffee maker in case of presence of internal damages. Even if the damages are minimal, it's strongly recommended to leave the unit disconnected from the power supply and call the technical service.

1.2 Procedure

1.2.1 Minimum Requirements

The machine must only be installed using the supplied connection cables and hoses. Any existing cables or hoses must not be reused. The manufacturer is not liable for any damages arising from improper installation.

The use of incorrect connections voids the warranty!

Water Requirements: flow rate of at least 3 L/min.

For example:

Fill a container of 3 Liter capacious and make sure the time it takes to be filled in is 60 seconds or less (or 1 Liter in 20 seconds or less).

The maximum pressure of the water line has to be between 1 to 6 bar.

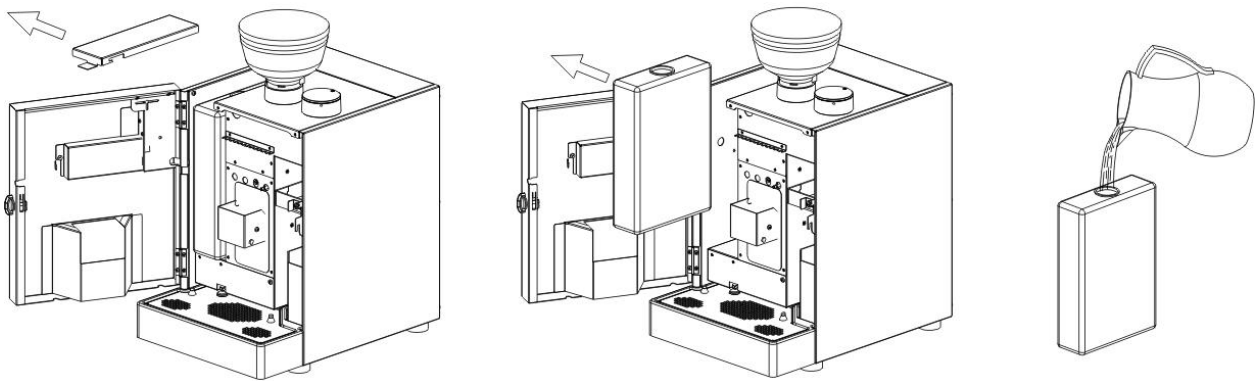
Electric Requirements: Be sure to choose a wall plug with enough power to supply the unit and that it's grounded in observance with current safety norms.

Refer to paragraph 1.3.3 of this Instruction Manual to select the correct wall plug.

1.2.2 Filling the inside water tank (non Self Cleaning machine)

To fill the inside water tank of the unit, open the front door and take off the top lid of the HLF 1700 coffee maker.

On the left side of the machine, it's visible a clear tube that goes into a white water tank. Pull up the clear tube together with the round cap from the tank. Then pull out the water tank and fill it with fresh water.



After filling the tank, replace it into its original place and be sure to re-insert the clear tube into the tank and close it with the round cap.

1.2.3 Water connection (if external water kit is installed)

On the back of the HLF 1700 is located the inlet water valve that permits the connection of the machine to the direct water line.

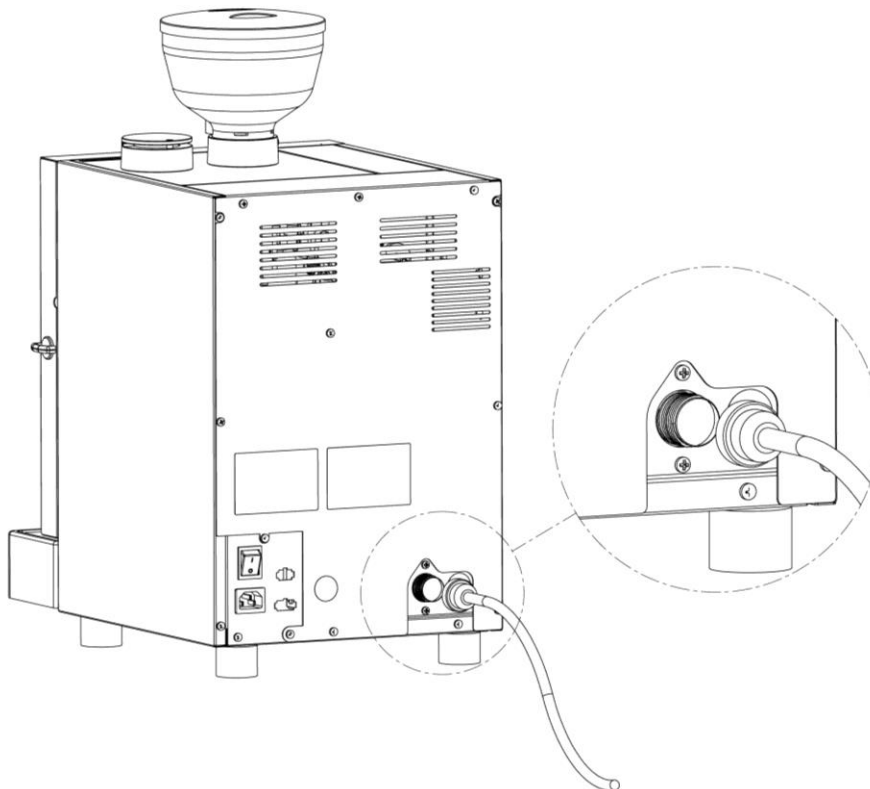


CAUTION

The water connection must only be connected to drinking water.

The maximum pressure of the water line has to be between 1 to 6 bar in order to prevent damages to the inlet water valve. A lower pressure will not be sufficient to open the inlet water valve, meanwhile a higher pressure will brake the valve causing in this way a water flood.

Refer to the national laws of your country for the connection to the water line. To connect the water line to the HLF 1700, is necessary to use a tube with a female screw of $\frac{3}{4}$ of inch at each end of it, as showed on the following picture.

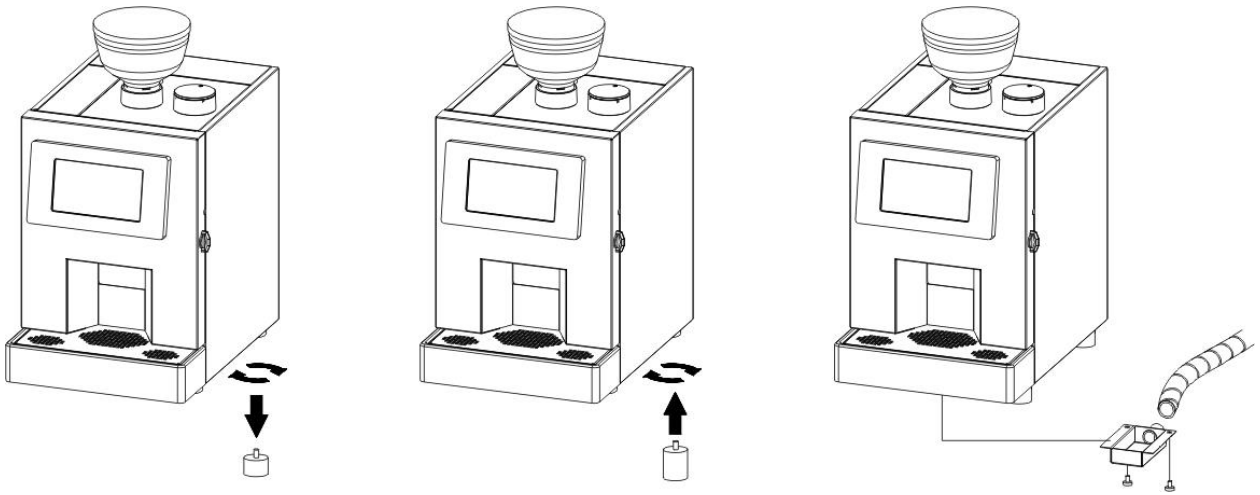


1.2.4 How to connect the Drainage Kit

Remove the four feet from the raising-machine kit accessory box, previously ordered.

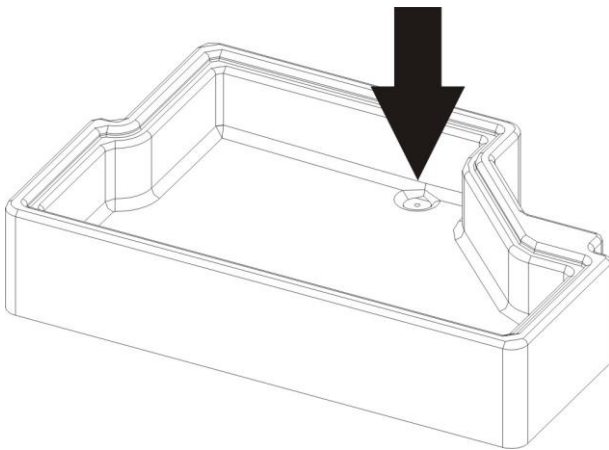
See following instructions and image below the instruction list:

1. Unscrew all the feet (A) supporting the coffee machine;
2. screw the foot (B) (accessory) to foot (A); fix the support under the machine and repeat for the other 3 supports.
3. Install the drip tray with the 2 screws provided with the kit, then connect the pipe to the drip tray.



Then make a hole in the plastic drip tray (see following image).

In this way the liquid collected, will be discharged externally through the tube that was previously connected (previous step).



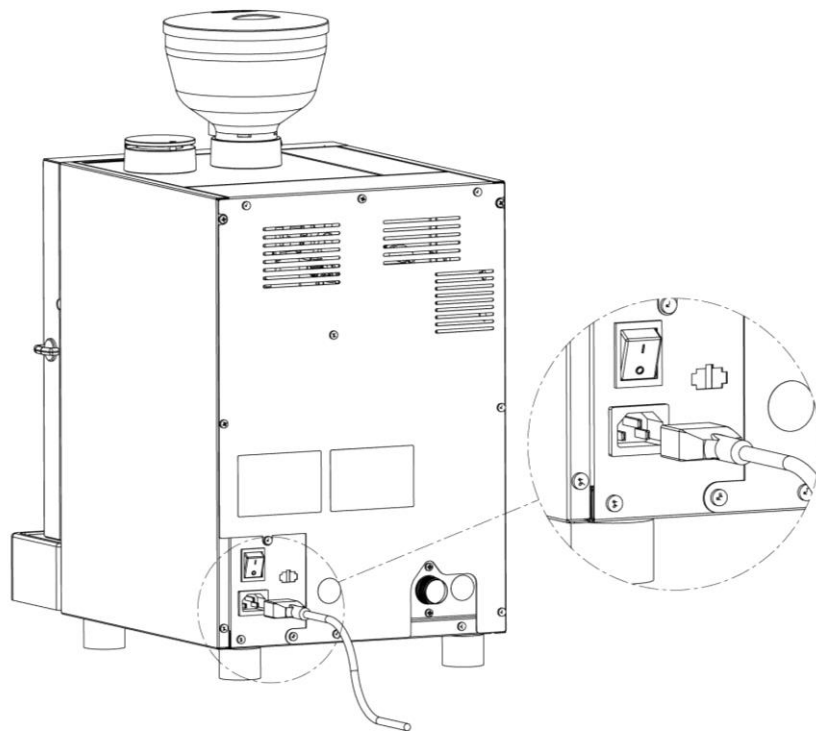


WARNING

Refer to planning diagram for respective distances.

1.2.5 Electric connection

Insert the power cord on the back of the machine near to the main power switch.



WARNING

INSERT THE POWER CORD INSIDE A CORRECT WALL PLUG, WITHOUT USING ANY OTHER ELECTRIC ADAPTER.

THE USE OF EXTENSION CORDS, ADAPTERS AND/OR MULTIPLE PLUGS IS STRONGLY FORBIDDEN !

1.3 Start up and operation mode

1.3.1 Loading products

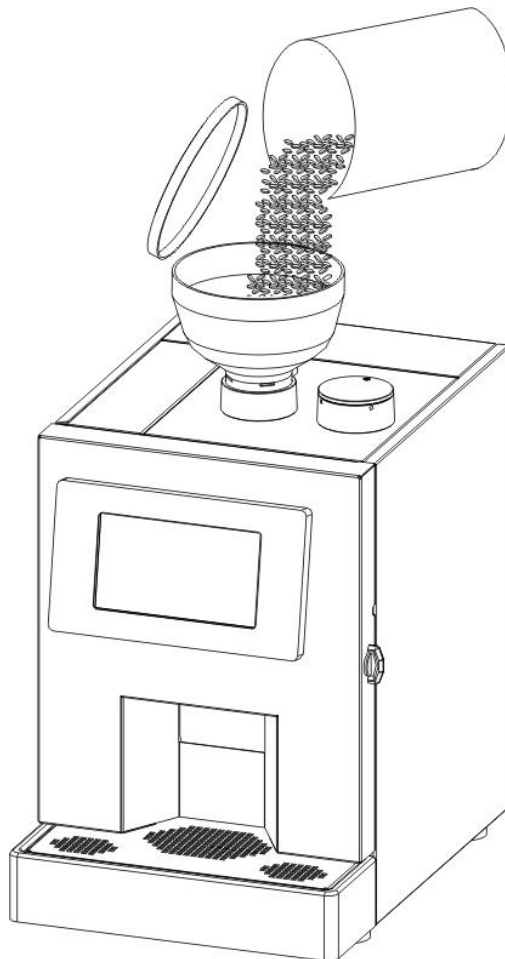


CAUTION

Refer to chapter 5.5 Re-Fill Ingredients for software instructions concerning the ingredients re-fill.

1.3.1.1 Coffee beans

Fill up the coffee beans hopper with fresh coffee beans.

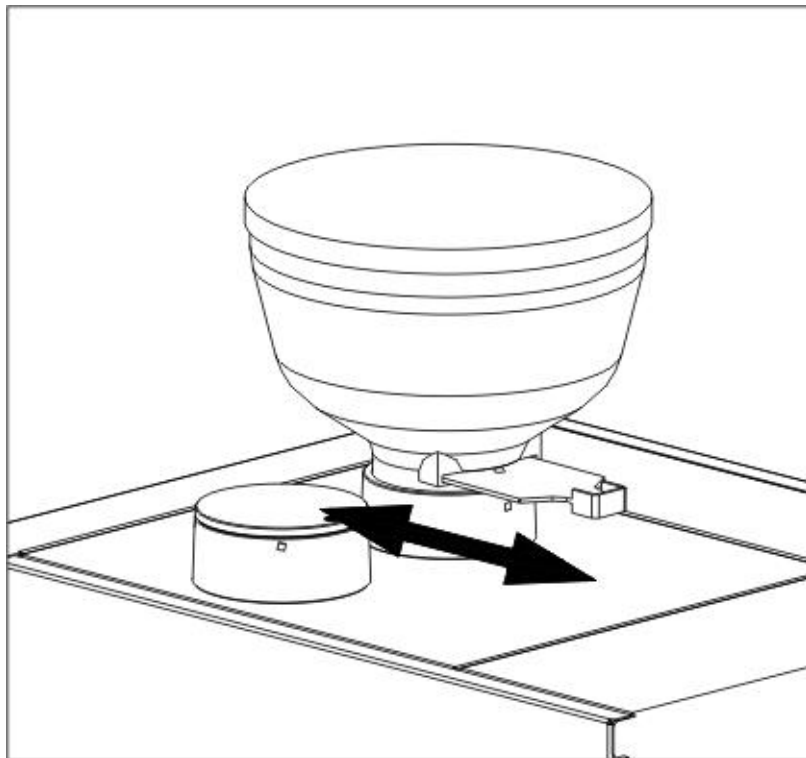


Remember to open the beans stopper located at the bottom of the coffee beans hopper. (see image A below).



NOTE

At first installation, strong pull the stopper so that the pin is completely pulled out (see image B below)



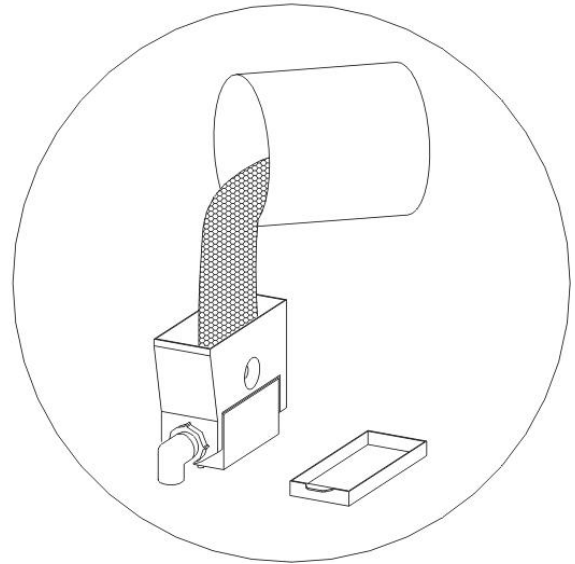
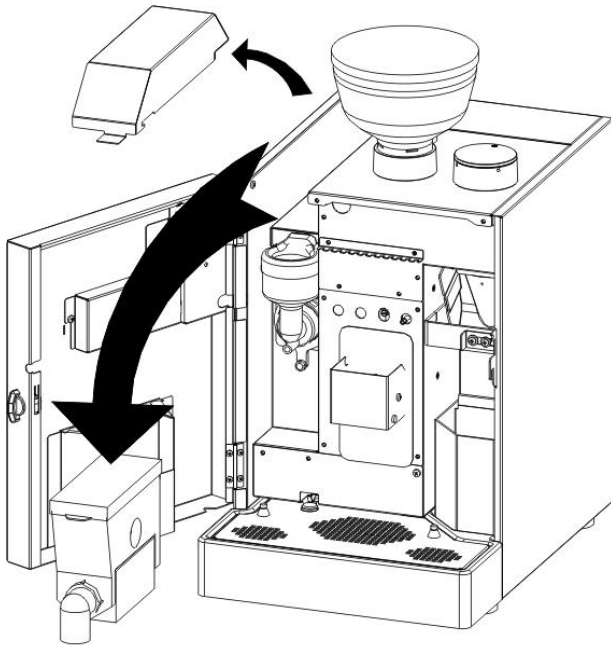
NOTE

It's recommended to use a mix of coffee beans for automatic coffee makers, in order to avoid a rapid consumption of the grinder's blades and also to get the best performance for the HLF 1700

For information refer to a coffee beans dealer.

1.3.1.2 Powder (in case the Soluble is installed)

Open the front door, remove the top lid and take out the container and fill it with soluble powder.



NOTE

It's recommended to do always this operation taking the powder container out of the machine, in order to keep the interior of the machine clean from dust.

Place back the container in its original position.

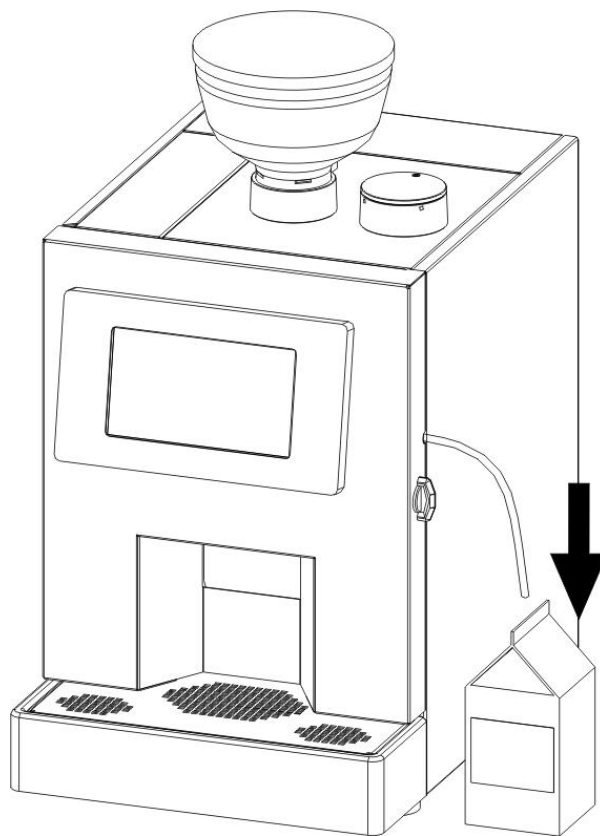
1.3.1.3 Milk (In case of fresh milk machine)



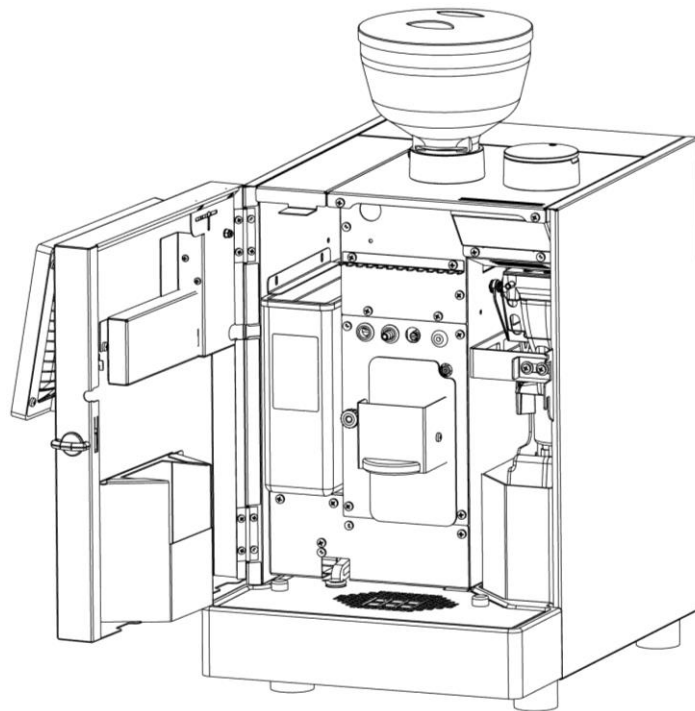
WARNING

Refer to paragraph 2.2.1.3 for the proper use of the milk with HLF 1700 machine.

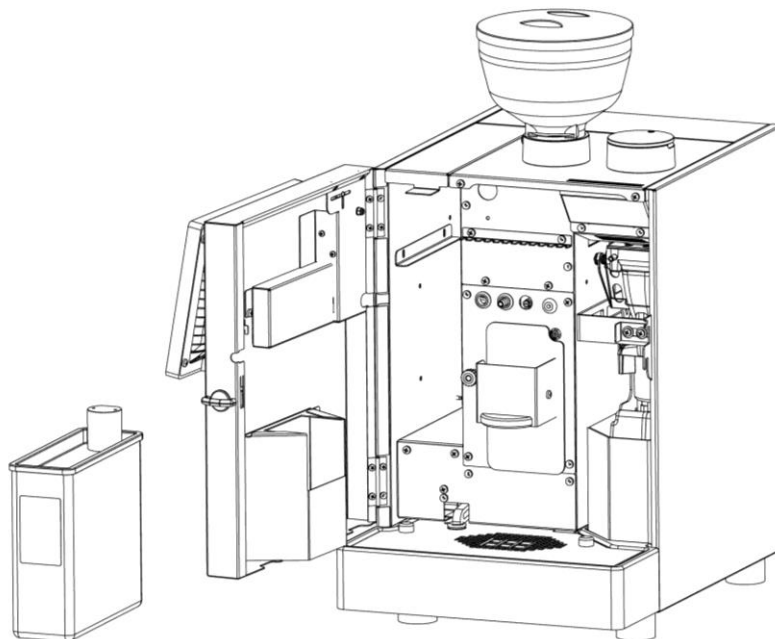
Open the door of the machine and take out the clear pipe from the inside. Pass the pipe through the milk tube holder on the side of the machine and then put it inside the milk container.



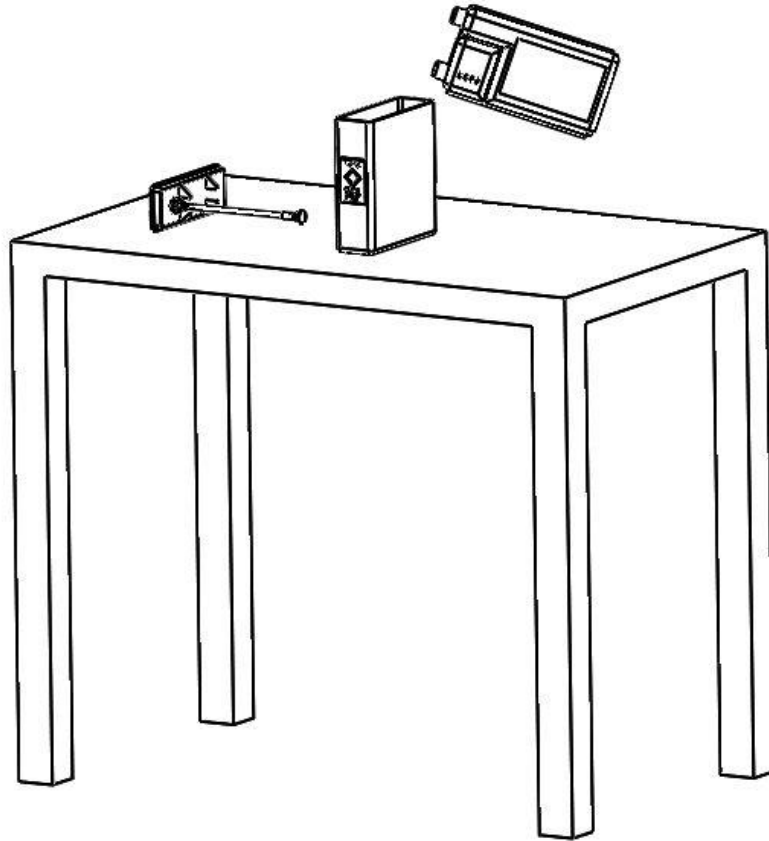
1.3.1.4 Detergent (in case of a Self Cleaning machine)



Open the door and take out the tank.

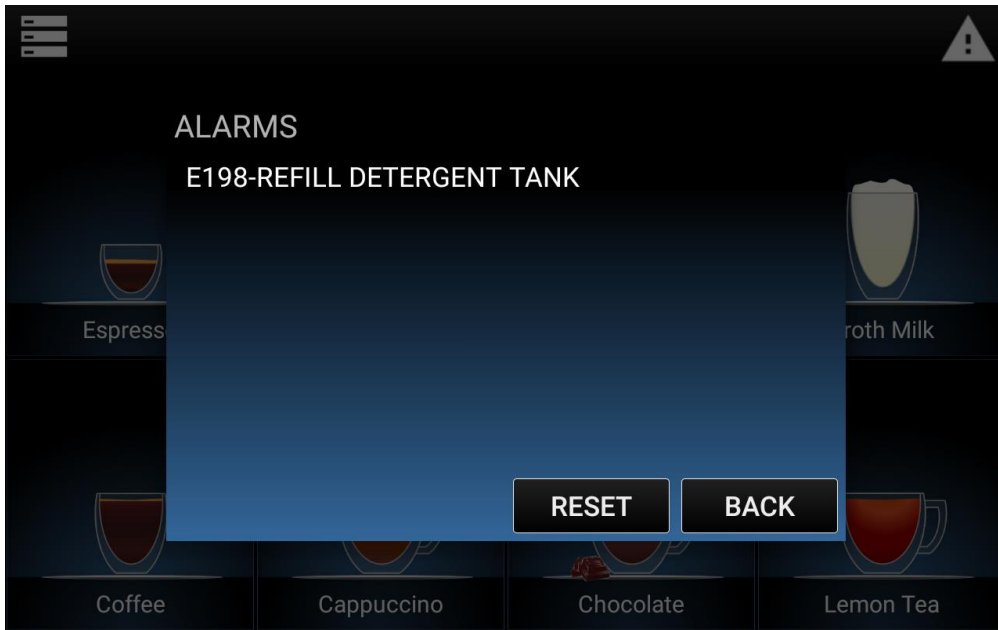


To refill the tank use a funnel to prevent detergent going out of the tank.

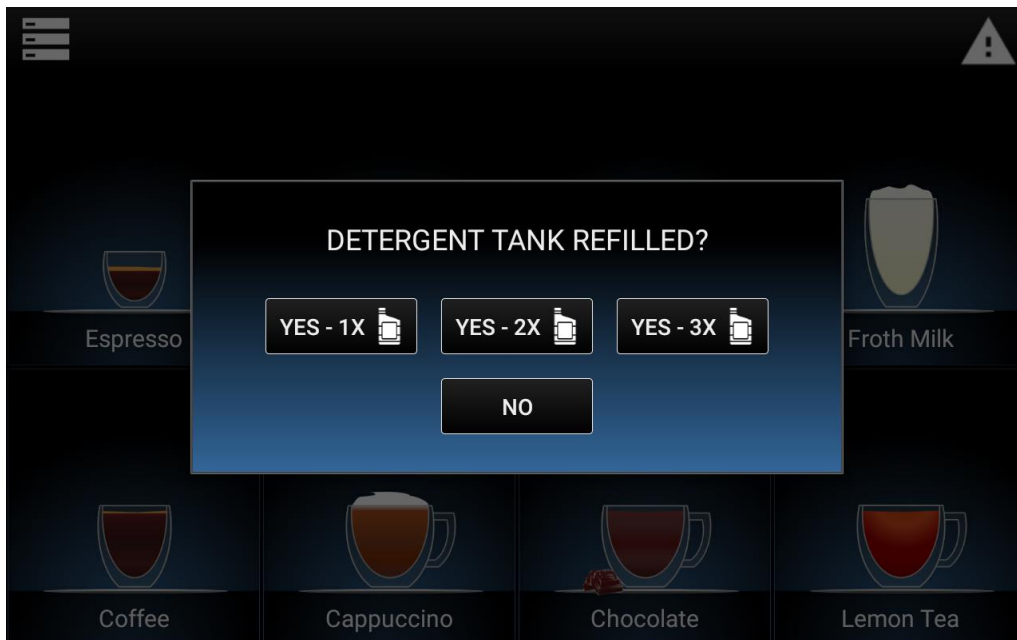


When the tank is full, reposition it and close the door of 1700.

When the detergent tank sensor is **disabled** and the detergent tank needs to be refilled, you will see this alarm in the main screen:



To show the detergent tank refill request, either press on the **Reset** button or open the door, refill the detergent tank and close the door.



Choose the correct quantity of detergent refilled (assuming the capacity of a bottle of detergent is 1000ml), insert the password (default is **123456**, you can edit or disable it in *Main Menu > Security*), and the alarm will disappear.

1.3.2 Turning ON the unit

Turn on the unit by the main switch situated on the back of the HLF 1700 coffee maker.

The coffee group will position and the front LED will start blinking fast. The machine is ready to be connected to an Android device via Bluetooth. See Paragraph 1.3.3.

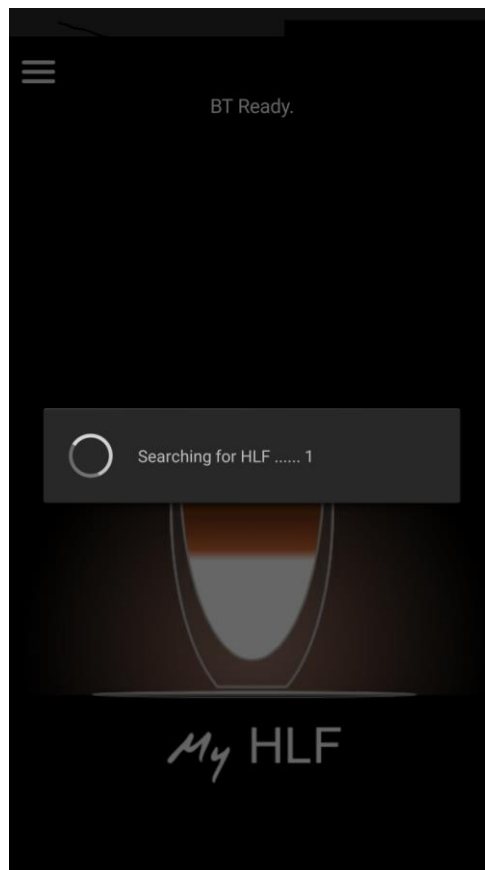
If touch screen is installed, the touch screen will be turned on. Please refer to Paragraph 1.3.4 of this guide.

1.3.3 Connecting the unit via Bluetooth – MyHLF App

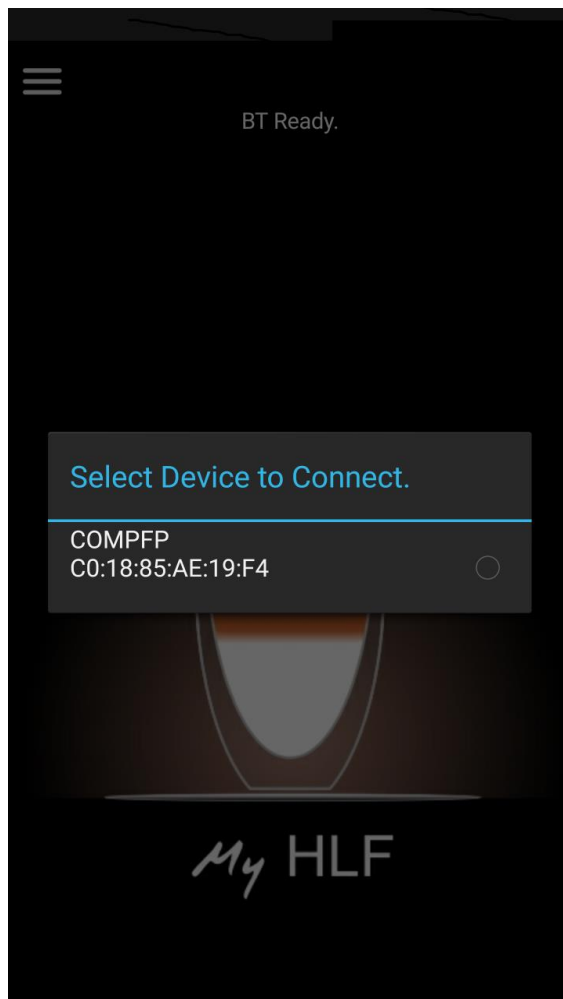
The machine is controlled by an Android device.
You can download the app “My HLF” from Google Play Store.

After the installation of the App, enable the GPS and open the app.

At the first start up My HLF will search automatically for HLF’s machines.



When discovery process is finished, select from the shown list the device with the Serial number of the machine, placed on a label on the back of the machine.

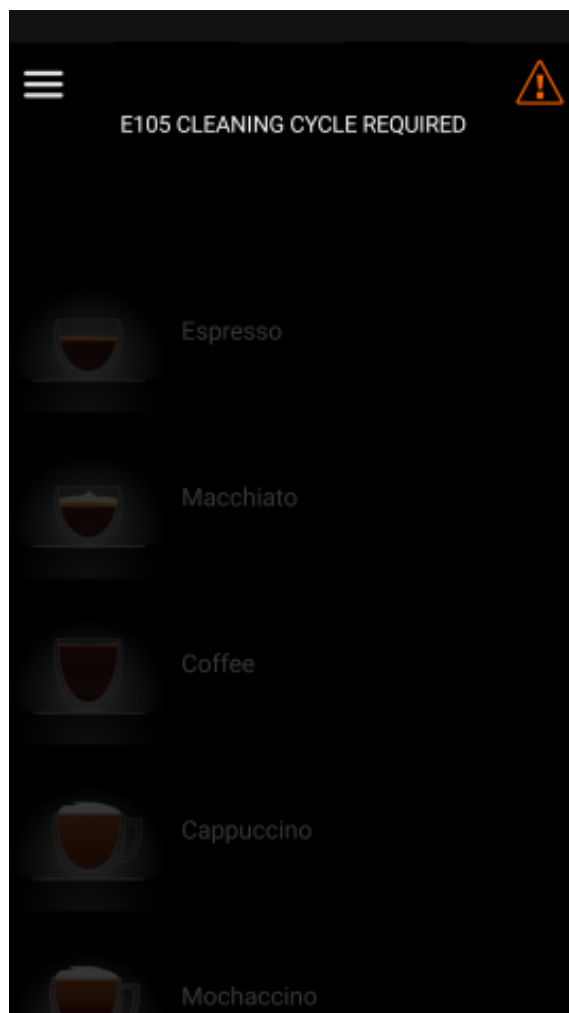


At the first time of connection, a "Pair Code" will be requested. Type in 1234 and push OK. Once the connection is established the message will appear on the screen.



1.3.3.1 Initial heating

If the machine has been just un-packed, it's necessary to run a CLEANING CYCLE to fill the boiler and the internal circuits with water. Make sure to have completely filled the water tank or to have the main water supply opened and connected to the machine.



Once the cleaning cycle has finished, wait for the boiler to heat the water to the perfect temperature (following screenshot)



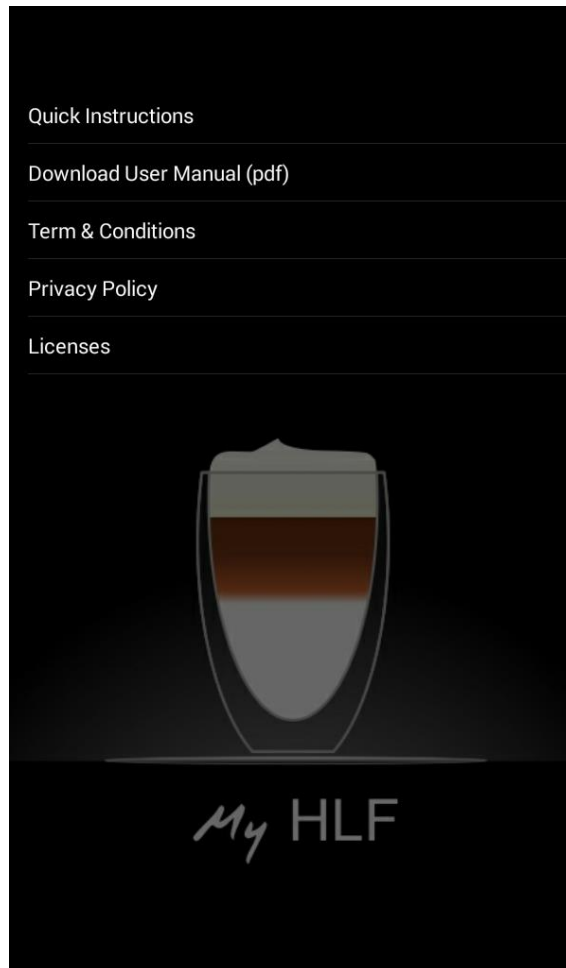
During the heating process the drink glass on the screen will change color from blue to red and below will be shown the progress of the temperature in degrees.



Once the temperature is reached the list of drinks will appear on the screen and the label "SELECT A DRINK PLEASE" will appear at the top. Now it's possible to have a superb hot drink from your HLF!

1.3.3.2 Fast guide / Manual

In order to access the Help Section, push the top left corner then push **Help** key.



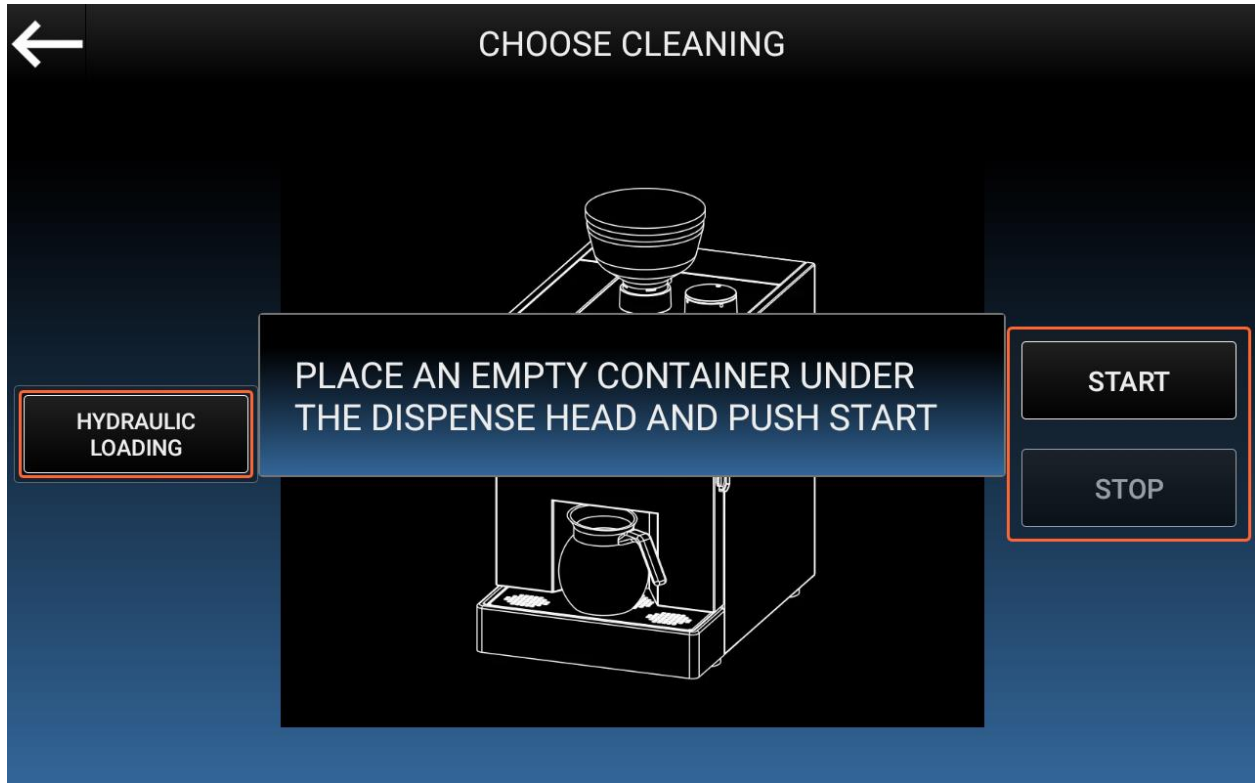
The possible operations to do are the following:

- **Quick Instructions:** To open the Quick instructions guide, for the connection of the Android device to the machine. See Chapter 5.2.1.1 of the Manual;
- **Download User Manual (pdf):** To download the User Manual of the machine. Needs a pdf viewer app to open the file;

1.3.4 Touch screen kit installed on the machine

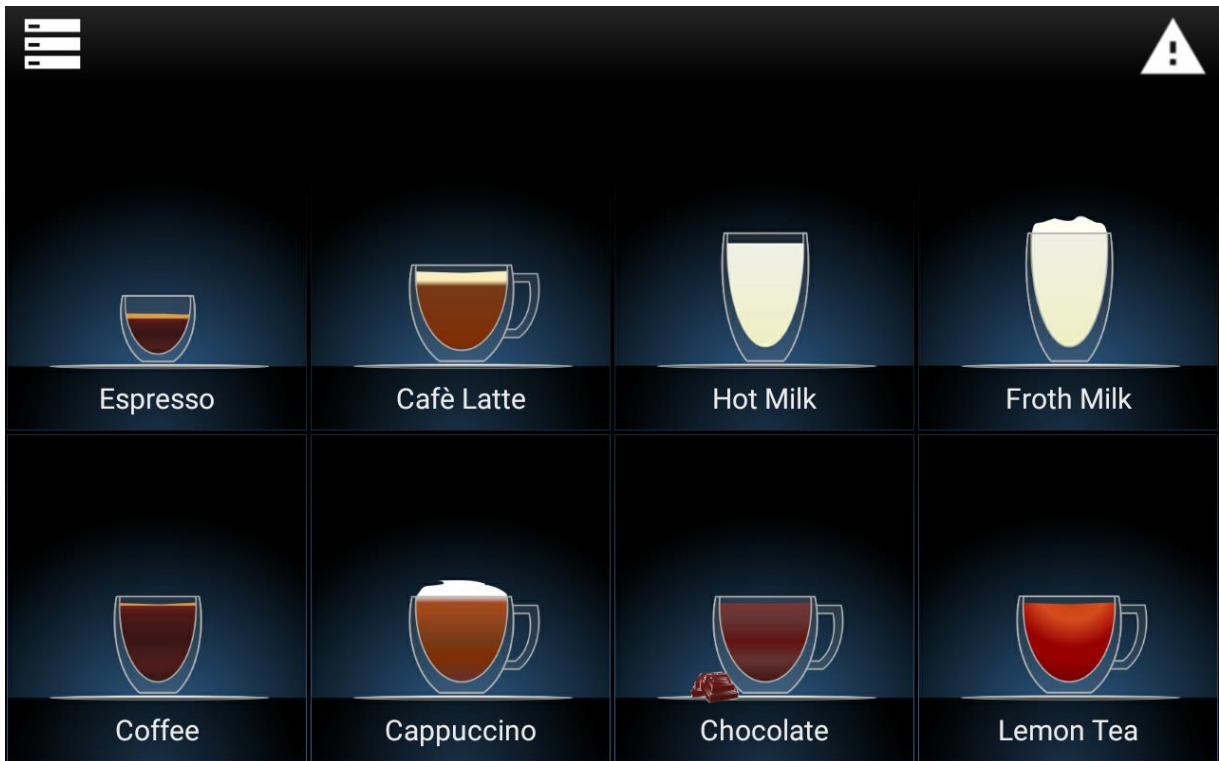
The following screen shot will appear on the touch screen.

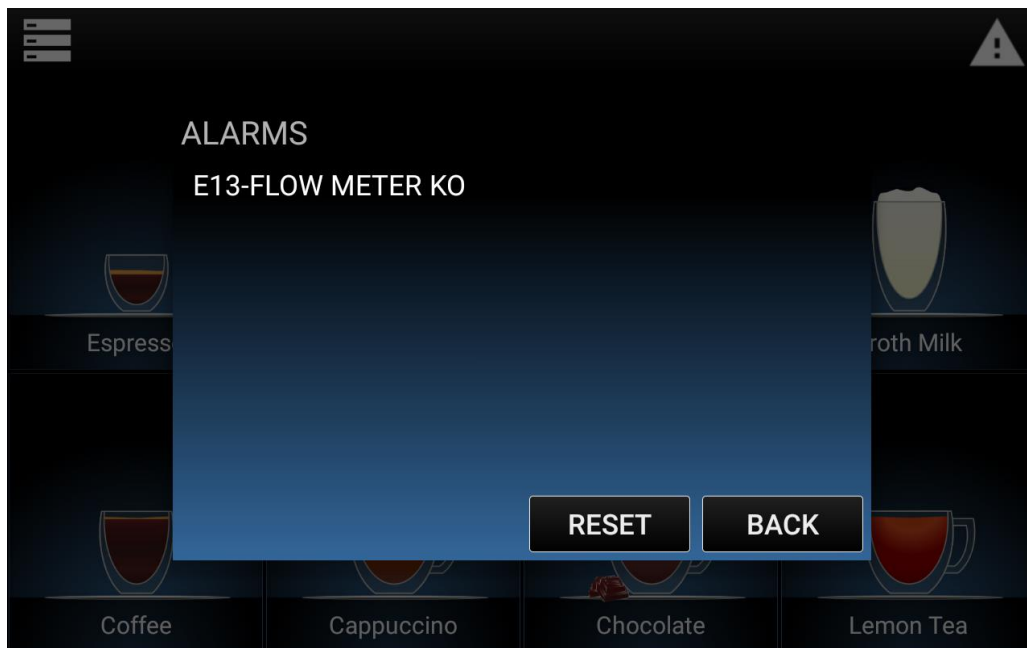
It means that an Hydraulic Loading has to be run in order to load water into all the hydraulic circuits.



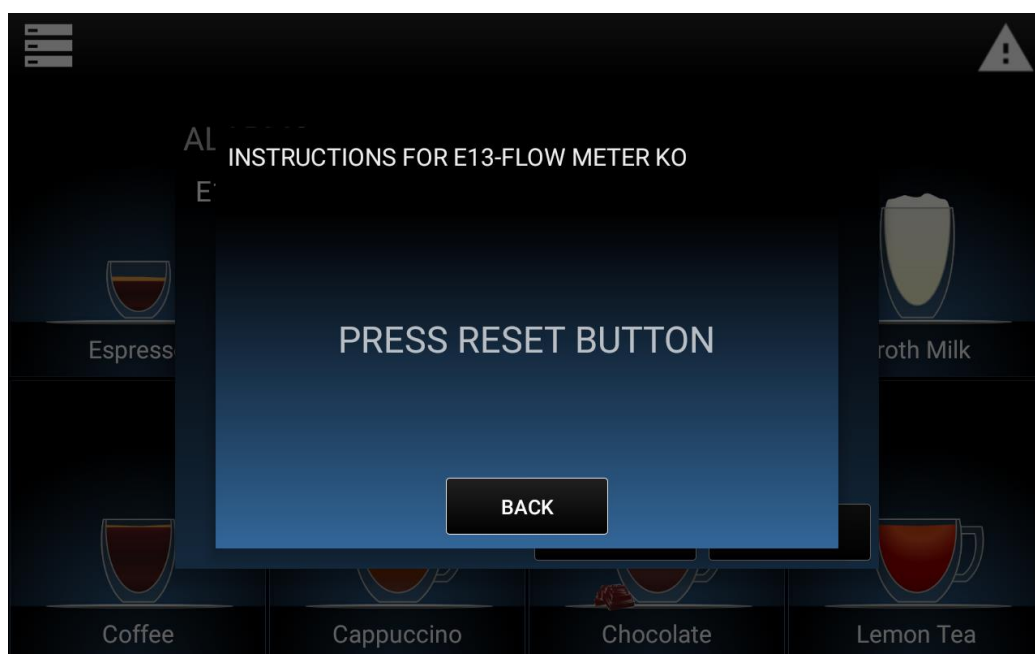
Push on the **Start button** to start the Hydraulic Loading procedure. This operation will take about 5 minutes.

If the below screen shot will appear, push on the error icon (top right corner).





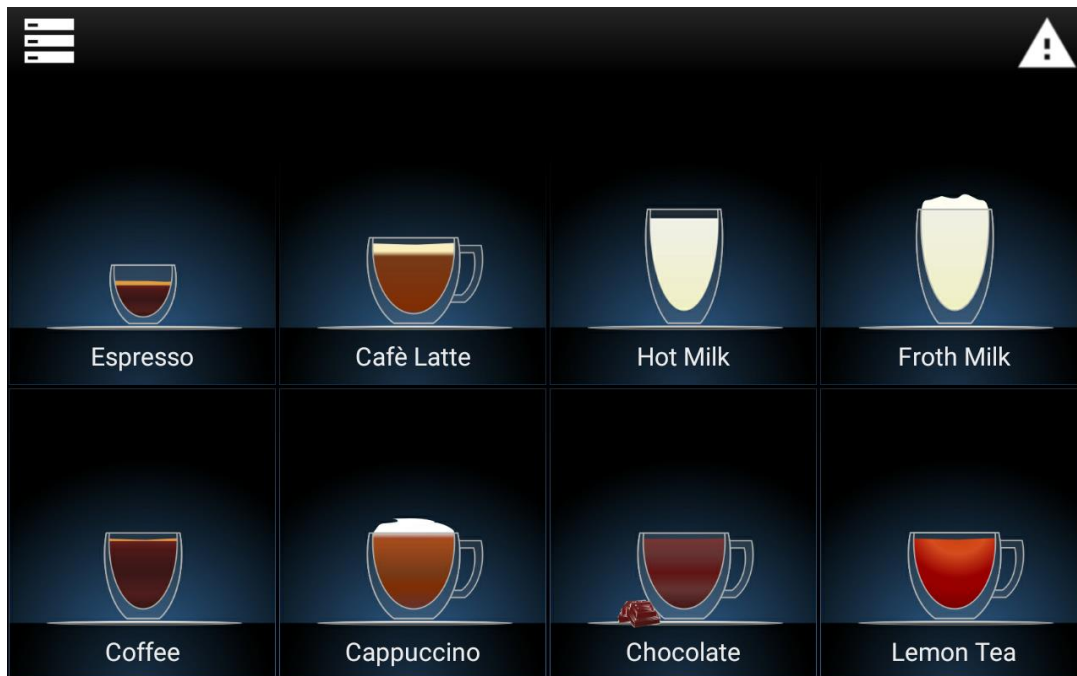
Push on the FLOW METER KO alarm and the following screen shot will appear. This happened because at the first initial water fill in of the machine, the water doesn't arrive directly to the boiler.



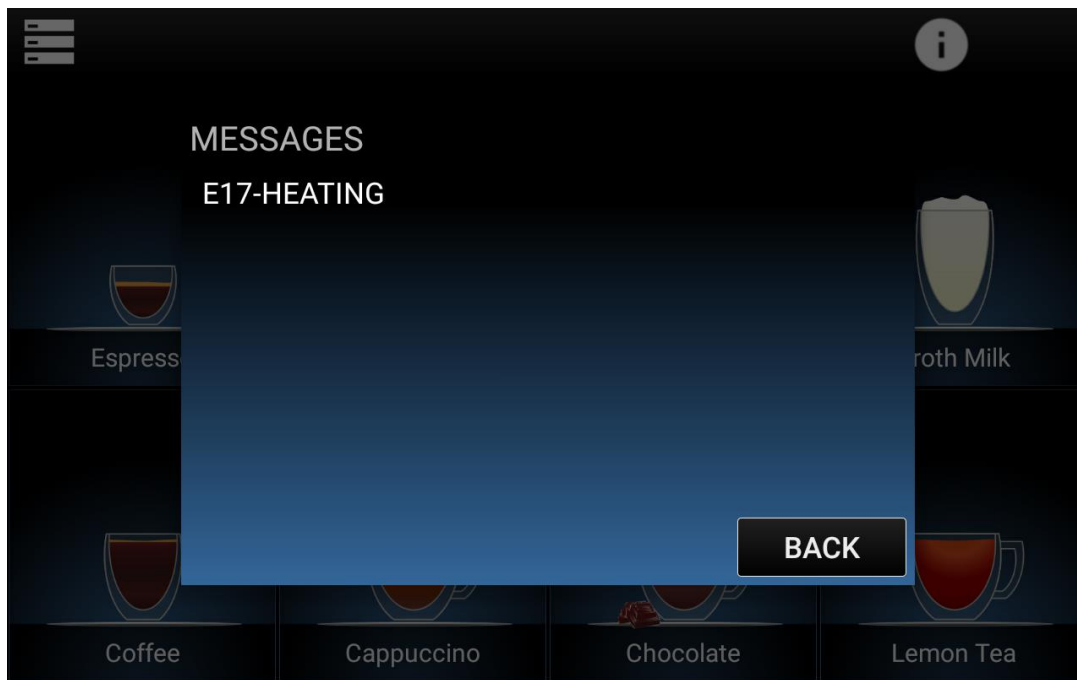
After the press of the **RESET** button the machine will load the boiler, and the Hydraulic Loading screen will be shown again.

1.3.4.1 Initial heating

Once the cleaning cycle is finished, the following screen will appear .
Push on the alert (top right corner).



The following screen shot will appear.

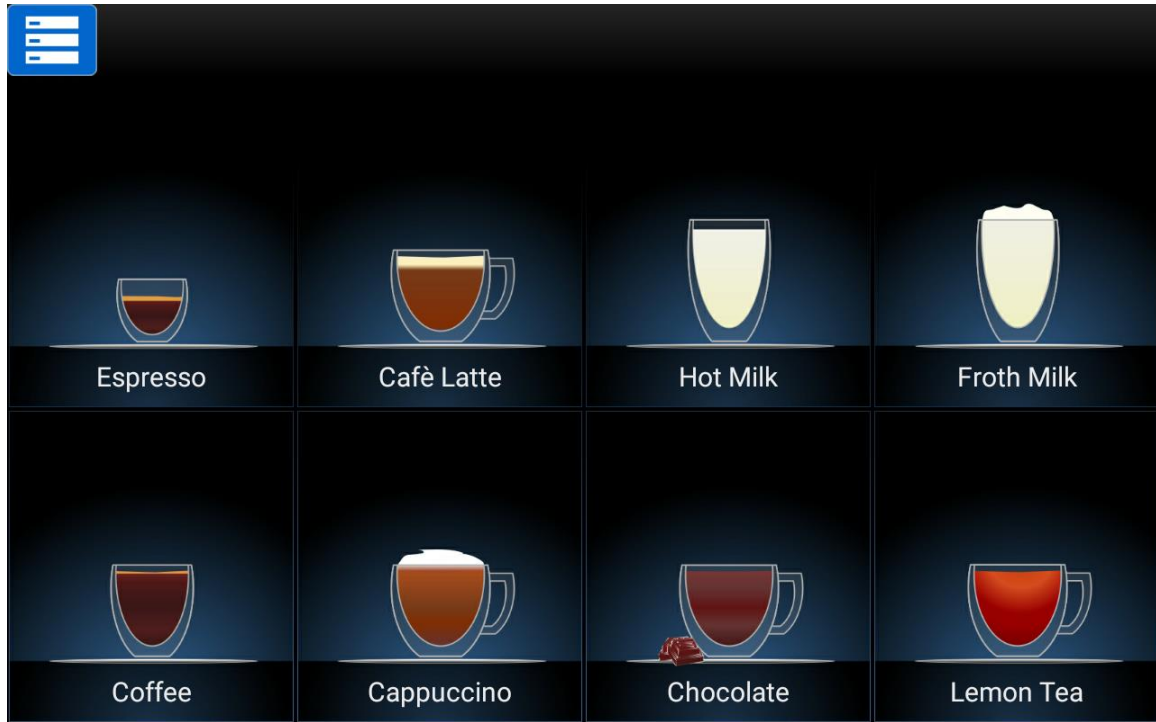


The internal boiler is heating the water and this process is going to take around 5 minutes. When the notification icon disappears the machine is ready to work.

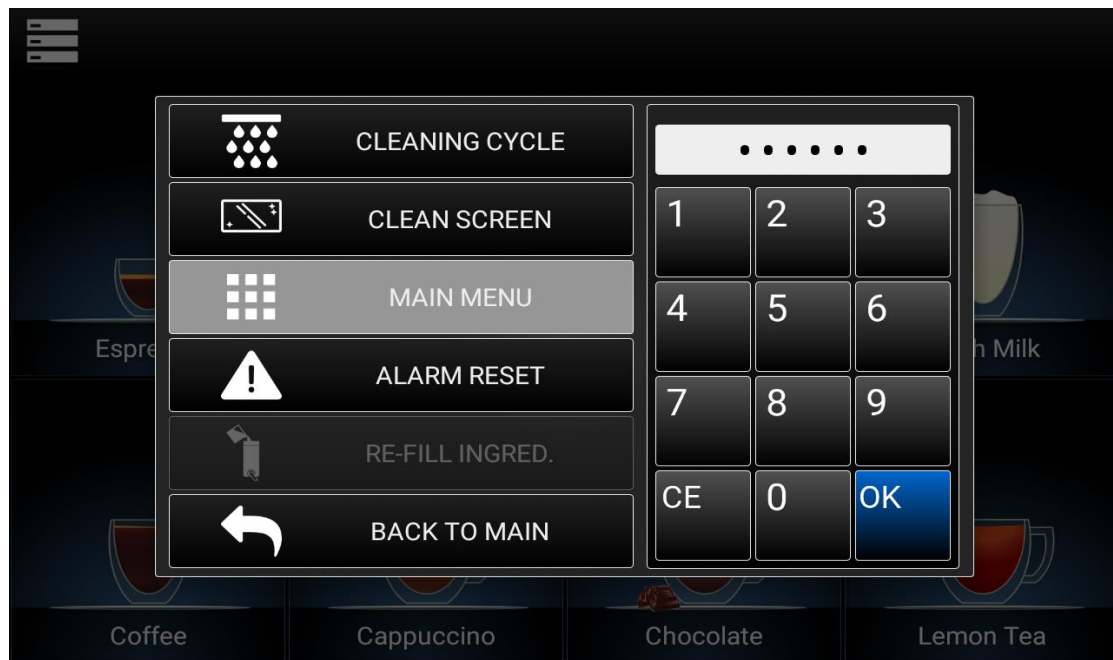
At this point it is possible to:

- start delivering drinks
- or
- access the software and consult the instruction manual as follows:

Push the top left corner.



Then push **Main Menu** key. Enter the password: 123456, as follows, then push **OK**.



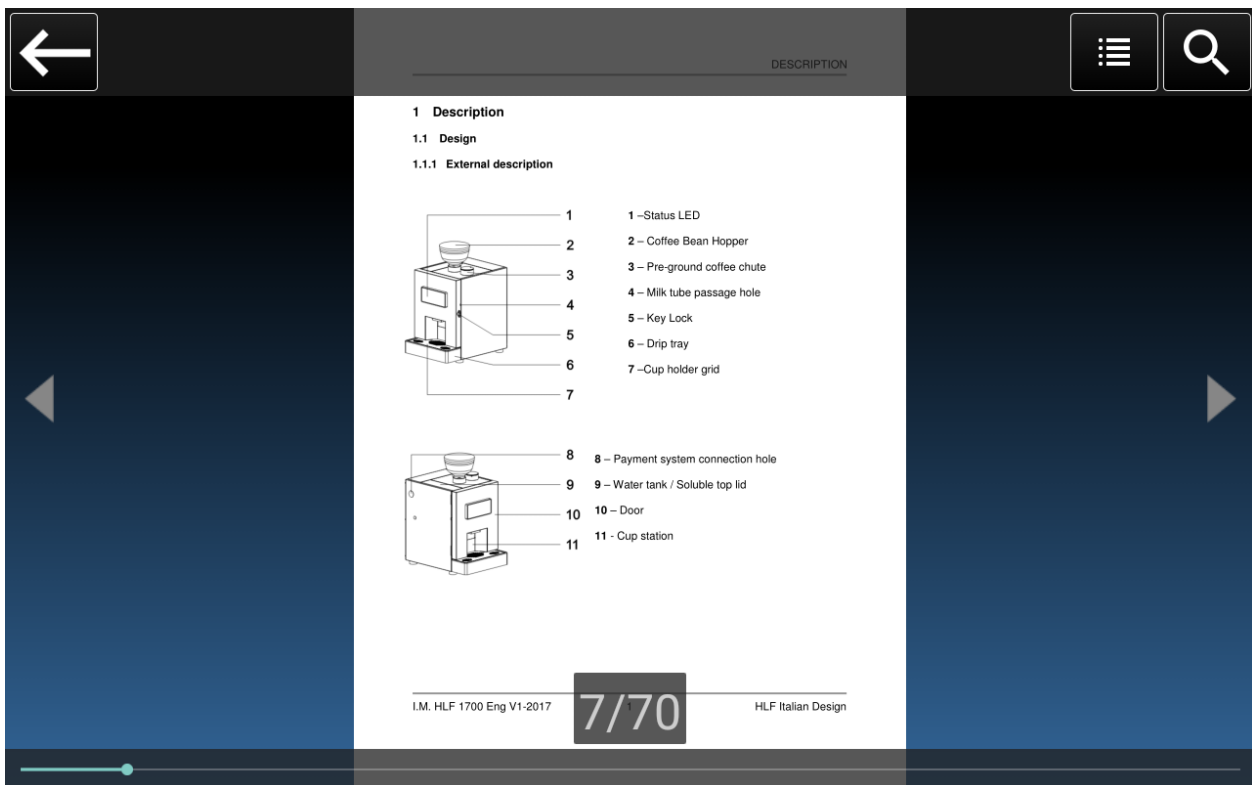
Push **Manual**.



The application checks the version of the instruction manual installed (internet connection is required).

If a more recent version is found, you will be asked to start the download.

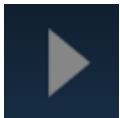
The PDF file of this Instruction Manual will be displayed on the touch screen.



The possible operations to do are the following:



to scroll to the previous page



to scroll to the next page



to access the manual index and select a section



to search words



to search word backwards



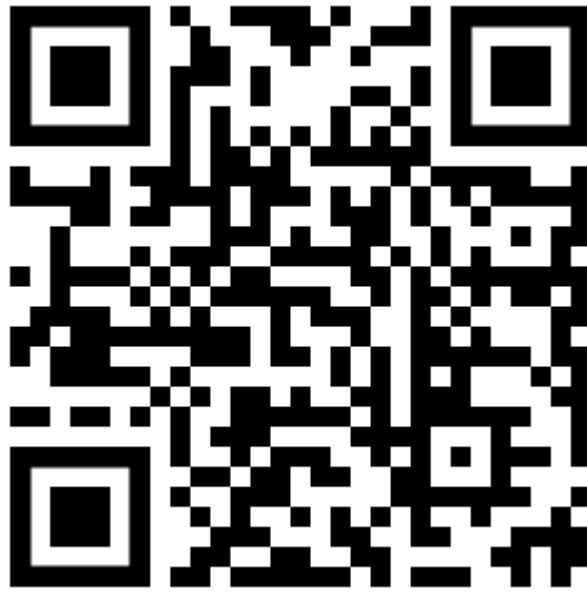
to search word forwards



to scroll forwards/backwards

1.3.5 Instruction Manual

Scan the below QR Code or click on the following link to access the instructions manual of the machine:



<https://kutt.it/IM-1700-Eng>

