

**Caldia e Scambiatore a CARTUCCIA**  
**CARTRIDGE heating Boiler and Exchanger**  
**Chaudière et Echangerur à CARTOUCHE**  
**Dampfkessel EINSATZ AUSTAUSCHER**

---

**CLD-05**

JUN - 1 GR

rev.

**00**

05/2002

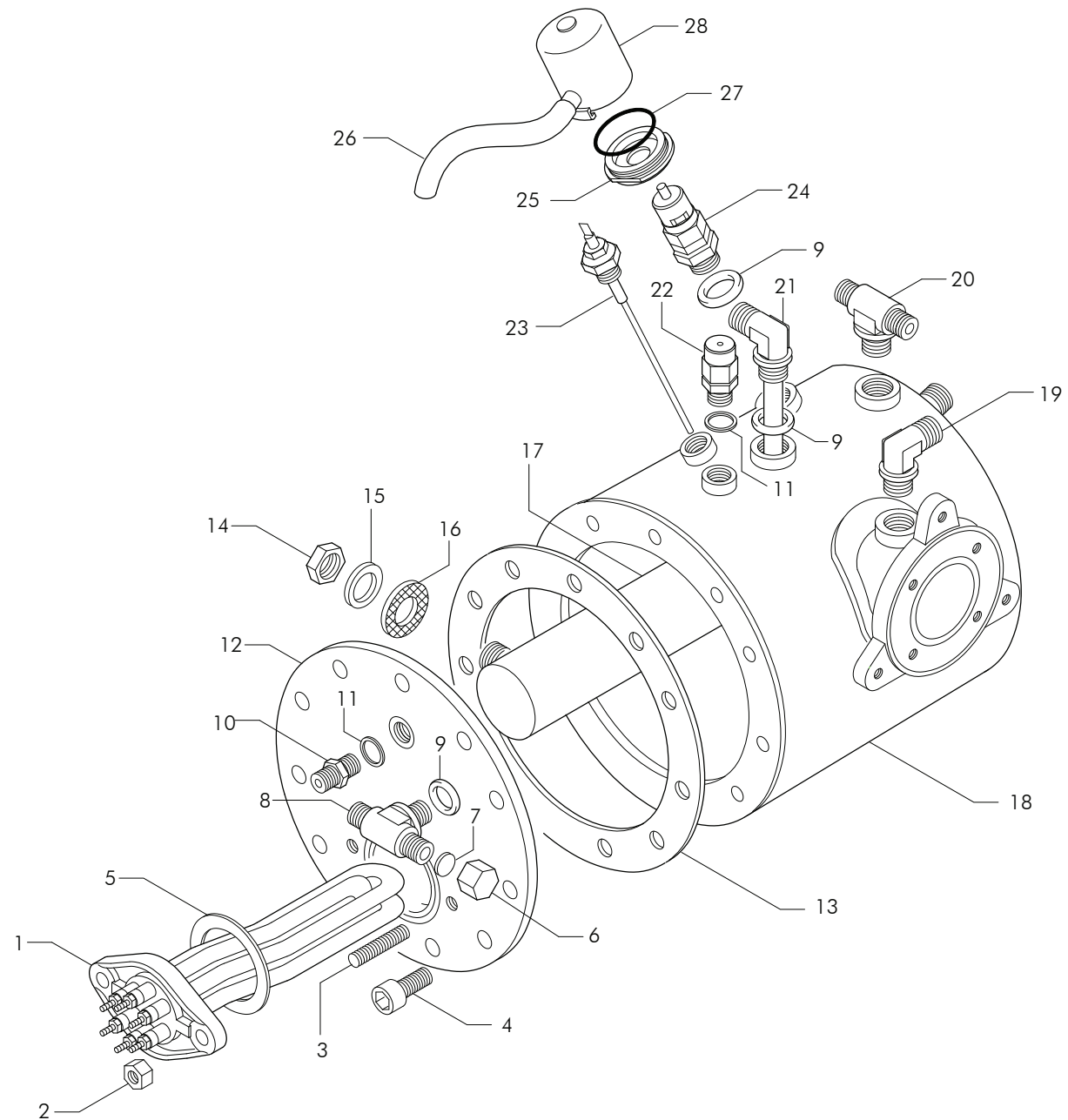
**CLD-10**

2 - 3 - 4 GR

rev.

**00**

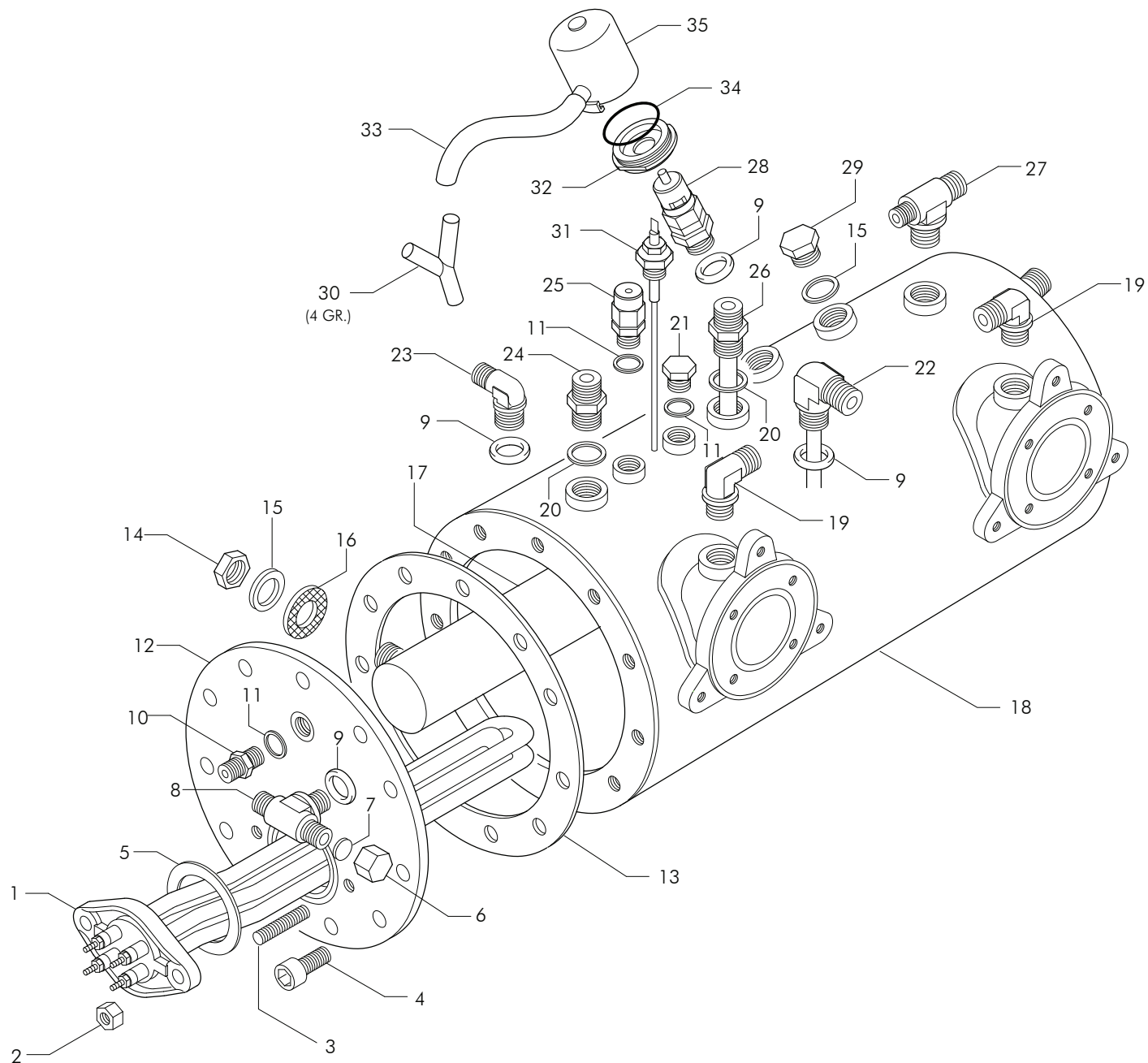
05/2002



Pos	Cod.	Denominazione - IT -	Denomination - GB -	Denomination - FR -	Denomination - DE -
1	17000	RES.1GR 4P 120V 1700W	HEATING ELEMENT 1GR 120V 1700W	RESISTANCE 1GR 120V 1700W	HEIZKORPER 1GR 120V 1700W
1	17001	RESISTENZA 1GR 4P 120V 2000W	HEATING ELEMENT 1GR 110V-2000W	RESISTANCE ELECTRIQUE 1GR 110V2000W	HEIZKORPER 1 GR 110V 2000W
1	17002	RES.1GR 4P 230/240V 2000W	HEATING ELEMENT 1GR 220V/240V 2000W	RESISTANCE ELEC.1GR 220V/240V 2000W	HEIZKORPER 1GR 220V/240V 2000W
1	17003	RES.1GR 4P 230/240V 1700W	HEATING ELEMENT 1GR 230/240V 1700W	RESISTANCE 1GR 230/240V 1700W	HEIZKORPER 1GR 230/240V 1700W
1	17006	RESISTENZA 1GR 6P 230/380V 1800W	HEAT.ELEMENT 1GR 220/380 2000W 6P	RESISTANCE 1GR 220/380 2000W 6POLES	HEIZKORPER 1GR 220/380 2000W
2	23049	DADO OTTONE M8 UNI 5587	BRASS NUT M8 UNI 5587	ECROU LAITON M8 UNI 5587	MESSING-SCHRAUBENMUTTER M8 UNI 5587
3	23133	PRIGIONIERO INOX AISI304 8X30 DIN 939	STAINLESS STEEL BOLT AISI304 8X40	VIS INOX AISI304 8X40	STAHLSCHRAUBE 8X40 AISI304 8X40
4	23556	VITE TCEI INOX 10X20 UNI5931 DIN912	STEEL SCREW TCCE 10X20	VIS INOX TCCE 10X20	STAHLSCHRAUBE TCCE 10X20
5	12001	GUARNIZIONE TEFLON VERGINE X RES/SCA	TEFLON GASKET ELEMENT/EXCH. 58X43X2	JOINT TEFLON RESIST/ECHANG. 58X43X2	TEFLON DICHTUNG 58X23X2
6	25782	TAPPO FEMMINA 1/4 GAS	1/4 GAS FEMALE TAP	BOUCHON FEMELLE 1/4 GAZ	INNENANSCHLUSSSTÖPSEL 1/4 GAS
7	12007	GUARNIZIONE KLINGERSIL4400	KLINGERSIL4400 COPPER SEAL	JOINT KLINGERSIL4400 POUR BOUCHON	DICHTUNG KLINGER SIL4400 X DECKEL
8	43060	RACCORDO 1/4X1/4X1/4 T	'T' CONNECTOR 1/4 + 1/4 + 1/4	RACCORD 'T' 1/4 + 1/4 + 1/4	T'-ANSCHLUSS 1/4+1/4+1/4
9	12101	GUARNIZIONE CU/ALIM 3/8 22X17X3	3/8 22X17X3 FEEDER/COPPER SEAL	JOINT CUIVRE/ALIM 3/8 22X17X3	KUPFERDICHTUNG/SPEIS. 3/8 22X17X3
10	25686	RACCORDO 1/4X1/4 FLANGIA	CONNECTOR 1/4 X 1/4 FLANGE	RACCORD 1/4 X 1/4 BRIDE	ANSCHLUSS 1/4X1/4 FLANSCH
11	12153	GUARNIZIONE CU 1/4 17X13.3X1.5	1/4 17X13.3X1.5 COPPER SEAL	JOINT CUIVRE 1/4 17X13.3X1.5	KUPFERDICHTUNG 1/4 17X13.3X1.5
12	53011	FLANGIA NORMALE SENZA FORI	FLANGE WITHOUT HOLES	BRIDE CUIVRE TROUS	NORMALER FLANSCH OHNE LÖCHER
13	12003	GUARNIZIONE TEFLON VERGINEXCALDAIA	BOILER TEFLON GASKET 190X139X2	JOINT CHAUDIERE TEFLON 190X139X2	TEFLON KESSELDICHTUNG 190X139X2
14	25356	CONTRODADO OTTONE 3/8	BRASS LOCK NUT 3/8	CONTRE-ECROU LAITON 3/8	MESSING-GENGENMUTTER 3/8
15	25651	RONDELLA OTTONE 3/8	BRASS WASHER 3/8	RONDELLE LAITON 3/8	MESSINGSCHLEIBE 3/8
16	12005	GUARNIZIONE REINXSCAMB.CAR.28X17X2	GASKET REINZ EXCH.28X17X2	JOINT REINZ D'ECHANGEUR 28X17X2	AUSTAUSCH DICHTUNG AUSTAUSCHER 28X17X2 A
17	63001	SCAMBIATORE CARTUCCIA5LITRI/JUN	CARTRIDGE EXCHANGER LT.5/JUN	ECHANGEUR A CARTOUCHE LT.5/JUN	EINSATZWARMETAUSCHER LT.5/JUN
17	63002	SCAMBIATORE CARTUCCIA NORMALE	NORMAL CARTRIDGE EXCHANGER	ECHANGEUR A CARTOUCHE NORMAL	EINSATZWARMETAUSCHER NORMAL
18	62016	CALDAIA 1GR ER CART AEA	BOILER 1GR - AUT.WATER REFILL	CHAUDIERE 1GR - REM.EAU.AUT.	KESSEL 1GR - AUT.WASSERFULLUNG
18	62020	CALDAIA 1GR CARTUCCIA OVE	BOILER 1GR OVE	CHAUDIERE 1GR OVE	KESSEL 1GR OVE
18	62029	CALDAIA JUNIOR CART + 3/8 AEA	BOILER 1GR CARTRIDGE JUN SPA A.W.R.	CHAUDIERE 1GR CARTOUCHE JUN SPA REA	EINSATZKESSEL 1GR JUN SPA A.W.F.
18	62032	CALDAIA JUNIOR CARTUCCIA OVE	BOILER 1 GR CARTRIDGE JUNIOR OVE	CHAUDIERE 1GR CARTOUCHE JUNIO OVE	KESSEL 1GR EINSATZ JUNIOR OVE
18	62035	CALDAIA JUNIOR CART AEA	BOILER JUN CARTRIDGE A.W.R.	CHAUDIERE JUN CARTOUCHE R.E.A.	KESSEL JUN EINSATZ A.W.F.
19	43052	RACCORDO "L" 3/8	CONNECTOR 'L' 3/8	RACCORD 'L' 3/8	ANSCHLUSS 'L' 3/8
20	43033	RACCORDO "T" 3/8X3/8X1/4	3/8X3/8X1/4 T FITTING	RACCORD "T" 3/8X3/8X1/4	ANSCHLUSS 3/8X3/8X1/4 T
21	52000119	TBS.D-10 L.125 PESCANTE "L" A 50/A	D-10 125 L PIPE CUPWARMER AT 50/A	TUYAU D-10 L.125 POUR ASPIRATION "L"	ROHR D.10 L.125 A 50/A
22	56150	VALVOLA ANTIRISUCCHIO V.A.R.	ANTI-EDDY VALVE V.A.R.	SOUPAPE ANTI-DEPRESSION V.A.R.	VENTIL UNTERDRUCKFREI V.A.R.
23	20251	SONDA LIVELLO TL 10/B L125 908600	TL 10/B L125 900000 LEVEL PROBE	JAUGE TL 10/B L125 900000	PEGELFÜHLER TL 10/B L125 900000
24	20352	VALVOLA DI SICUREZZA *CE*	*CE* SAFETY VALVE	SOUPAPE DE SECURITE *CE*	SICHERHEITSVENTIL *CE*
25	15006001	FLANGIA GRIGOLY VALVOLA SIC.	FLANGE GRIVORY VALVE	JOINT GRIVORY VANNE	FLANSCH GRIVORY VENTIL
26	15478002	TUBO SILICONE 8X11 L.70CM	SILICONE TUBE 8X11 L.70CM	TUYAU SILICONE 8X11 L.70CM	SILIKONROHR 8X11 L.70CM
27	12300000	GUARNIZIONE OR 3156 VITON X PISTONI	O RING VITON	JOINT OR VITON	OR DICHTUNG VITON
28	56009980	ASSIEME PROTEZIONE VALVOLE SICUREZZA	UNIT PROTECTION VALVE	ENSEMBLE PROTECTION VANNE	SATZ-SCHUTZGITTER VENTIL



Pos	Cod.	Denominazione - IT -	Denomination - GB -	Denomination - FR -	Denomination - DE -
1	17050	RES.2GR 4P 120V 2600W	HEATING ELEMENT 2GR 110V-2600W	RESISTANCE ELEC. 2GR 110V-2600W	HEIZKORPER 2GR 110V-2600W
1	17051	RESISTENZA 2GR 4P 230/240V 2600W	HEATING ELEMENT 2GR 220V/240V-2600W	RESISTANCE ELEC.2GR 220V/240V-2600W	HEIZKORPER 2GR 220V/240V 2600W
1	17053	RES.2GR 4P 380V 4000W	HEATING ELEMENT 2GR 380V 4000W	RESISTANCE ELEC. 2GR 380V 4000W	HEIZKORPER 2GR 380V 4000W
1	17054	RESISTENZA 2GR 6P 230/380V 2600W	HEATING EL.2GR 220/380V-2600W 6POLE	RESISTANCE 2GR 220V/380V-2600W 6P	HEIZKORPER 2GR 220V/380V-2600 6P
1	17056	RES.2GR 4P 230/240V 4000W	HEATING ELEMENT 2GR 220/240V 4000W	RESISTANCE ELEC. 2GR 220/240V 4000W	HEIZKORPER 2GR 220/240V 4000W
1	17057	RESISTENZA 2GR 6P 230/380V 4000W	HEATING EL. 2GR 220/380V-4000W 6P	RESISTANCE 2GR 220/380V 4000W 6P.	HEIZKORPER 2GR 220/380V 4000W 6P
1	17058	RES.2GR 6P 230/380V 3000V	HEATING EL.2GR 220/380V-3000W 6POLE	RESISTANCE 2GR 220/380V-3000W 6POLE	HEIZKORPER 2GR 220/380V-3000W 6P
1	17059	RESISTENZA 2GR 6P 230/380V 3400W	HEATING EL.2GR 220/380V-3400W 6POLE	RESISTANCE 2GR 220/380V-3400W 6POLE	HEIZKORPER 2GR 220/380V-3400W 6P
1	17060	RESISTENZA 2GR 6P 230/380V 4500W	HEATING EL.2GR 230/380V 4500W 6POLE	RESISTANCE 2GR 230/380V 4500W 6POLE	HEIZKORPER 2GR 230/380V 4500W 6P
1	17061	RES.2GR 4P 440V 2600W	HEATING ELEMENT 2GR 440V 2600W 4P	RESISTANCE ELEC. 2GR 440V 2600W 4P	HEIZKORPER 2GR 440V 2600W 4P
1	17062	RES.2GR 4P 440V 4000W	HEATING ELEMENT 2GR 440V 4000W 4P	RESISTANCE ELEC. 2GR 440V 4000W 4P	HEIZKORPER 2GR 440V 4000W 4P
1	17100	RES.3GR 4P 120V 3700W	HEATING ELEMENT 3 GR 110V 3700W	RESISTANCE ELEC. 3GR 110V 3700W	HEIZKORPER 3GR 110V 3700W
1	17101	RES.3GR 4P 230/240V 3700W	HEATING ELEMENT 3GR 220/240V 3700W	RESISTANCE ELEC. 3GR 220/240V 3700W	HEIZKORPER 3GR 220/240V-3700W
1	17103	RES.3GR 4P 380V 5000W	HEATING ELEMENT 3GR 380V 3700W	RESISTANCE ELEC. 3GR 380V 3700W	HEIZKORPER 3GR 380V 3700W
1	17104	RES.3GR 6P 230/380V 3700W	HEATING EL. 3GR 220/380V 3700W 6P	RESISTANCE 3GR 220/380V 3700W 6P	HEIZKORPER 3GR 220/380V 3700W 6P
1	17106	RES.3GR 4P 230/240V 5000W	HEATING ELEMENT 3GR 220/240V 5000W	RESISTANCE ELEC. 3GR 220/240V 5000W	HEIZKORPER 3GR 220/240V 5000W
1	17107	RESISTENZA 3GR 6P 230/380V 5000W	HEATING EL. 3GR 220/380V 5000W 6P	RESISTANCE 3GR 220/380V 5000W 6P	HEIZKORPER 3GR 220/380V 5000W 6P
1	17114	RES.3GR 4P 440V 3700W	HEATING EL. 3GR 440V 3700W 4POLE	RESISTANCE 3GR 440V 3700W 4POLE	HEIZKORPER 3GR 440V 3700W 4P
1	17150	RES.4GR 4P 230/240V 5000W	HEATING ELEMENT 4GR 220/240V 5000W	RESISTANCE ELEC. 4GR 220/240V 5000W	HEIZKORPER 4GR 220/240V 5000W
1	17151	RES.4GR 6P 230/380V 5000W	HEATING EL. 4GR 220/380V 5000W 6P	RESISTANCE 4GR 220/380V 5000W 6P	HEIZKORPER 4GR 220/380V 5000W 6P
1	17152	RES.4GR 4P 230/240V 7000W	HEATING ELEMENT 4GR 220/240V 7000W	RESISTANCE ELEC. 4GR 220/240V 7000W	HEIZKORPER 4GR 220/240V 7000W
1	17153	RES.4GR 6P 230/380V 6000W	HEATING EL. 4GR 220/380V 7000W 6P	RESISTANCE 4GR 220/380V 7000W 6P	HEIZKORPER 4GR 220/380V 7000W 6P
1	17155	RES.4GR 4P 440V 5000W	HEATING EL. 4GR 440V 5000W 4POLES	RESISTANCE 4GR 440V 5000W 4POLES	HEIZKORPER 4GR 440V 5000W 4POLEN
2	23049	DADO OTTONE M8 UNI 5587	BRASS NUT M8 UNI 5587	ECROU LAITON M8 UNI 5587	MESSING-SCHRAUBENMUTTER M8 UNI 5587
3	23133	PRIGIONIERO INOX AISI304 8X30 DIN 939	STAINLESS STEEL BOLT AISI304 8X40	VIS INOX AISI304 8X40	STAHLSCHRAUBE 8X40 AISI304 8X40
4	23556	VITE TCEI INOX 10X20 UNI5931 DIN912	STEEL SCREW TCCE 10X20	VIS INOX TCCE 10X20	STAHLSCHRAUBE TCCE 10X20
5	12001	GUARNIZIONE TEFLON VERGINE X RES/SCA	TEFLON GASKET ELEMENT/EXCH. 58X43X2	JOINT TEFLON RESIST/ECHANG. 58X43X2	TEFLON DICHTUNG 58X23X2
6	25782	TAPPO FEMMINA 1/4 GAS	1/4 GAS FEMALE TAP	BOUCHON FEMELLE 1/4 GAZ	INNENANSCHLUSSSTÖPSEL 1/4 GAS
7	12007	GUARNIZIONE KLINGERSIL4400	KLINGERSIL4400 COPPER SEAL	JOINT KLINGERSIL4400 POUR BOUCHON	DICHTUNG KLINGER SIL4400 X DECKEL
8	43060	RACCORDO 1/4X1/4X1/4 T	'T' CONNECTOR 1/4 + 1/4 + 1/4	RACCORD 'T' 1/4 + 1/4 + 1/4	T'-ANSCHLUSS 1/4+1/4+1/4
9	12101	GUARNIZIONE CU/ALIM 3/8 22X17X3	3/8 22X17X3 FEEDER/COPPER SEAL	JOINT CUIVRE/ALIM 3/8 22X17X3	KUPFERDICHTUNG/SPEIS. 3/8 22X17X3
10	25686	RACCORDO 1/4X1/4 FLANGIA	CONNECTOR 1/4 X 1/4 FLANGE	RACCORD 1/4 X 1/4 BRIDE	ANSCHLUSS 1/4X1/4 FLANSCH
11	12153	GUARNIZIONE CU 1/4 17X13.3X1.5	1/4 17X13.3X1.5 COPPER SEAL	JOINT CUIVRE 1/4 17X13.3X1.5	KUPFERDICHTUNG 1/4 17X13.3X1.5
12	53011	FLANGIA NORMALE SENZA FORI	FLANGE WITHOUT HOLES	BRIDE SANS TROUS	NORMALER FLANSCH OHNE LÖCHER
13	12003	GUARNIZIONE TEFLON VERGINEXCALDAIA	BOILER TEFLON GASKET 190X139X2	JOINT CHAUDIERE TEFLON 190X139X2	TEFLON KESSELDICHTUNG 190X139X2
14	25356	CONTRODADO OTTONE 3/8	BRASS LOCK NUT 3/8	CONTRE-ECROU LAITON 3/8	MESSING-GEGENMUTTER 3/8
15	25651	RONDELLA OTTONE 3/8	BRASS WASHER 3/8	RONDELLE LAITON 3/8	MESSINGSCHIEBE 3/8
16	12005	GUARNIZIONE REINXSCAMB.CAR.28X17X2	GASKET REINZ EXCH.28X17X2	JOINT REINZ D'ECHANGEUR 28X17X2	AUSTAUSCH DICHTUNG AUSTAUSCHER 28X17X2 A
17	63002	SCAMBIATORE CARTUCCIA NORMALE	NORMAL CARTRIDGE EXCHANGER	ECHANGEUR A CARTOUCHE NORMAL	EINSATZWARMETAUSCHER NORMAL



Pos	Cod.	Denominazione - IT -	Denomination - GB -	Denomination - FR -	Denomination - DE -
18	62142	CALDAIA 2GR ER AEA - CARTUCCIA	BOILER 2GR DISTRIBUTION A.W.R.	CHAUDIERE 2GR DEBIT R.E.A.	KESSEL 2GR AUSGABE A.W.F.
18	62144	CALDAIA 2GR ER CART + 3/8 AEA	BOILER 2GR DISTRIBUTION+3/8 A.W.R.	CHAUDIERE 2GR DEBIT+3/8 R.E.A.	KESSEL 2GR AUSGABE + 3/8 A.W.F.
18	62145	CALDAIA 2GR CARTUCCIA OVE	BOILER 2GR DISTRIBUTION - OVE	CHAUDIERE 2GR DEBIT - OVE	KESSEL 2GR AUSGABE - OVE
18	62223	CALDAIA 2GR ER CART + 1TR AEA	BOILER 2GR DIST.+1BULK UNIT A.W.R.	CHAUDIERE 2GR DEBIT+1 THERMO R.E.A.	KESSEL 2GR AUSGABE+1BRUHGRUPPE AWF
18	62225	CALDAIA 2GR CARTUCCIA + 1TR OVE	BOILER 2GR DIST. + 1 BULK UNIT OVE	CHAUDIERE 2GR DIST.+1 THERMO R. OVE	KESSEL 2GR AUSGABE + 1 BRUHGRUPPE
18	62251	CALDAIA 3GR ER CART AEA	BOILER 3GR DISTRIBUTION - A.W.R.	CHAUDIERE 3GR DEBIT - R.E.A.	KESSEL 3GR AUSGABE - A.W.F.
18	62253	CALDAIA 3GR ER CART + 3/8 AEA	BOILER 3GR DIST. A.W.R. 2V+3/8	CHAUDIERE 3GR DEBIT R.E.A. 2V+3/8	KESSEL 3GR AUSGABE A.W.F. 2V+3/8
18	62255	CALDAIA 3GR CARTUCCIA OVE	BOILER 3GR DISTRIBUTION - OVE	CHAUDIERE 3GR DEBIT - OVE	KESSEL 3GR AUSGABE - OVE
18	62301	CALDAIA 3GR ER CART + 1TR AEA	BOILER 3GR DIST.+1BULK UNIT A.W.R.	CHAUDIERE 3GR DEBIT+1THERMO R.E.A.	KESSEL 3GR AUSGABE+1BRUHGRUPPE AWF
18	62303	CALDAIA 3GR CARTUCCIA + 1TR OVE	BOILER 3GR DIST.+1 BULK UNIT OVE	CHAUDIERE 3GR DEBIT+1 THERMO OVE	KESSEL 3GR AUSGABE + 1 BRUHGRUPPE
18	62321	CALDAIA 3GR ER CART + 2TR AEA	BOILER 3GR DIST.+2 BULK UNITS A.W.R	CHAUDIERE 3GR DEBIT+2 THERMO R.E.A.	KESSEL 3GR AUSGABE +2 BRUHGR. A.W.F
18	62323	CALDAIA 3GR CARTUCCIA + 2TR OVE	BOILER 3GR DIST.+2 BULK UNITS OVE	CHAUDIERE 3GR DEBIT+2 THERMO R. OVE	KESSEL 3GR AUSGABE + 2BRUHGR. OVE
18	62357	CALDAIA 4GR ER CART.+3/8 AEA	BOILER 4GR 2V - AUT.WATER REFILL	CHAUDIERE 4GR 2V - REM.EAU AUT.	KESSEL 4GR 2V - AUT.WASSERFULLUNG
18	62358001	CALDAIA 4GR CARTUCCIA OVE	BOILER 4GR DISTRIBUTION OVE	CHAUDIERE 4GR DEBIT OVE	KESSEL 4GR AUSGABE OVE
18	62391	CALDAIA 4GR ER CART + 1TR AEA	BOILER 4GR DIST.+1 BULK U. A.W.R.	CHAUDIERE 4GR DEBIT+1 THERMO R.E.A.	KESSEL 4GR AUSGABE + 1BRUHGR. A.W.F
18	62393	CALDAIA 4GR ER CART + 2TR AEA	BOILER 4GR DIST.+2 BULK U. A.W.R.	CHAUDIERE 4GR DEBIT+2 THERMO R.E.A.	KESSEL 4GR AUSGABE + 2BRUHGR. A.W.F
19	43052	RACCORDO "L" 3/8	CONNECTOR 'L' 3/8	RACCORD 'L' 3/8	ANSCHLUSS 'L' 3/8
20	12154	GUARNIZIONE CU 3/8 22X17X1.5	3/8 22X17X1.5 COPPER SEAL	JOINT CUIVRE 3/8 22X17X1.5	KUPFERDICHTUNG 3/8 22X17X1.5
21	25780	TAPPO MASCHIO OTTONE 1/4	BRASS MALE CAP 1/4	BOUCHON MALE LAITON 1/4	MESSING-STOPFEN 1/4
22	52000119	TBS.D-10 L.125 PESCANTE "L" A 50/A	D-10 125 L PIPE CUPWARMER AT 50/A	TUYAU D-10 L.125 POUR ASPIRATION "L"	ROHR D.10 L.125 A 50/A
23	43052	RACCORDO "L" 3/8	CONNECTOR 'L' 3/8	RACCORD 'L' 3/8	ANSCHLUSS 'L' 3/8
24	25687	RACCORDO 3/8X3/8 GAS	3/8X3/8 GAS FITTING	RACCORD 3/8X3/8 GAZ	ANSCHLUSS 3/8X3/8 GAS
25	56150	VALVOLA ANTIRISUCCHIO V.A.R.	ANTI-EDDY VALVE V.A.R.	SOUPAPE ANTI-DEPRESSION V.A.R.	VENTIL UNTERDRUCKFREI V.A.R.
26	52000118	TBS.D-10 L.130 AL - ER A 50 PESCANTE	TUBE D-10 L.100 AL A50	TUYAU D-10 L.100 AL A50	ROHR D-10 L.100 AL A50
27	43033	RACCORDO "T" 3/8X3/8X1/4	3/8X3/8X1/4 T FITTING	RACCORD "T" 3/8X3/8X1/4	ANSCHLUSS 3/8X3/8X1/4 T
28	20352	VALVOLA DI SICUREZZA *CE*	*CE* SAFETY VALVE	SOUPAPE DE SECURITE *CE*	SICHERHEITSVENTIL *CE*
29	25785	TAPPO MASCHIO 3/8	MALE CAP 3/8	BOUCHON MALE 3/8	STOPFEN 3/8
30	15422010	RACCORDO "Y" POLIPROPILENE D-10	"Y" POLIPROPILENE FITTING	RACCORD "Y" POLIPROPILENE	ANSCHLUSS "Y" POLIPROPILENE
31	20251	SONDA LIVELLO TL 10/B L125 908600	TL 10/B L125 900000 LEVEL PROBE	JAUGE TL 10/B L125 900000	PEGELFÜHLER TL 10/B L125 900000
32	15006001	FLANGIA GRIGOLY VALVOLA SIC.	FLANGE GRIVORY VALVE	JOINT GRIVORY VANNE	FLANSCH GRIVORY VENTIL
33	15478002	TUBO SILICONE 8X11 L.70CM	SILICONE TUBE 8X11 L.70CM	TUYAU SILICONE 8X11 L.70CM	SILIKONROHR 8X11 L.70CM
34	12300000	GUARNIZIONE OR 3156 VITON X PISTONI	O RING VITON	JOINT OR VITON	OR DICHTUNG VITON
35	56009980	ASSIEME PROTEZIONE VALVOLE SICUREZZA	UNIT PROTECTION VALVE	ENSEMBLE PROTECTION VANNE	SATZ-SCHUTZGITTER VENTIL