

**Caldia e Scambiatore C.T.S.  
C.T.S. heating Boiler and Exchanger  
Chaudière et Echangerur à C.T.S.  
Dampkessel C.T.S.**

---

**CLD-15**

JUN - 1 GR

rev.

**02**

04/2009

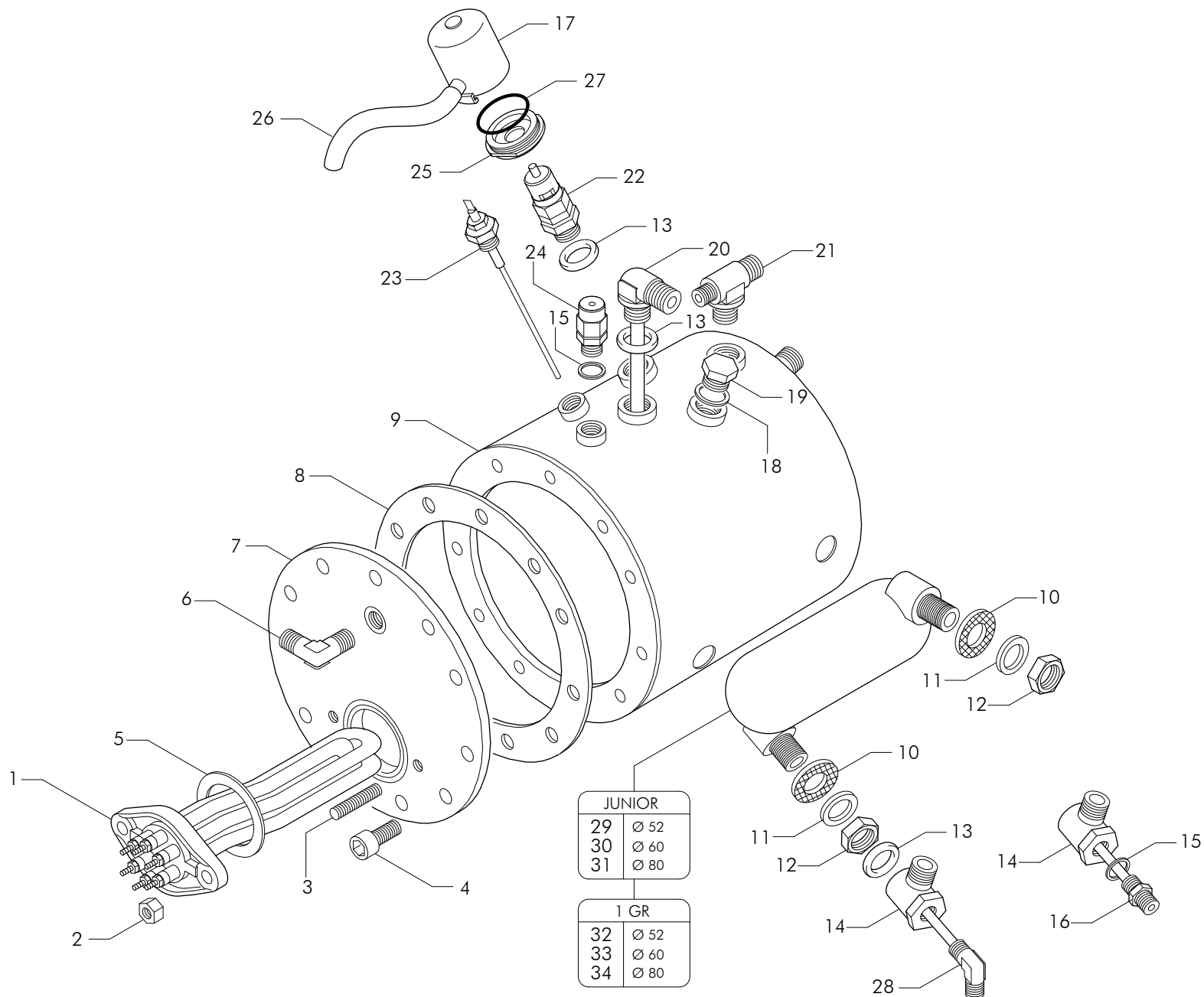
**CLD-20**

2 - 3 - 4 GR

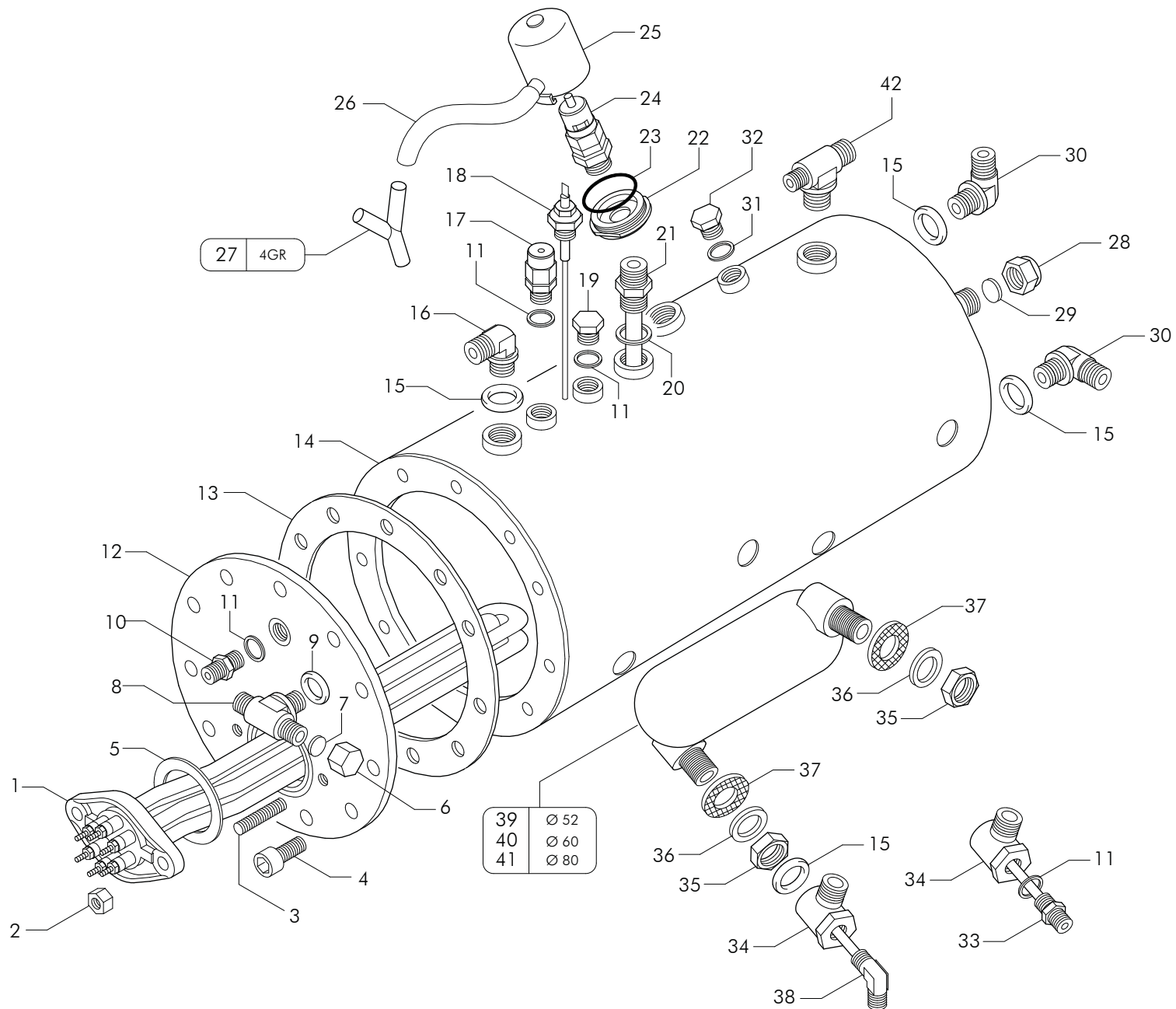
rev.

**02**

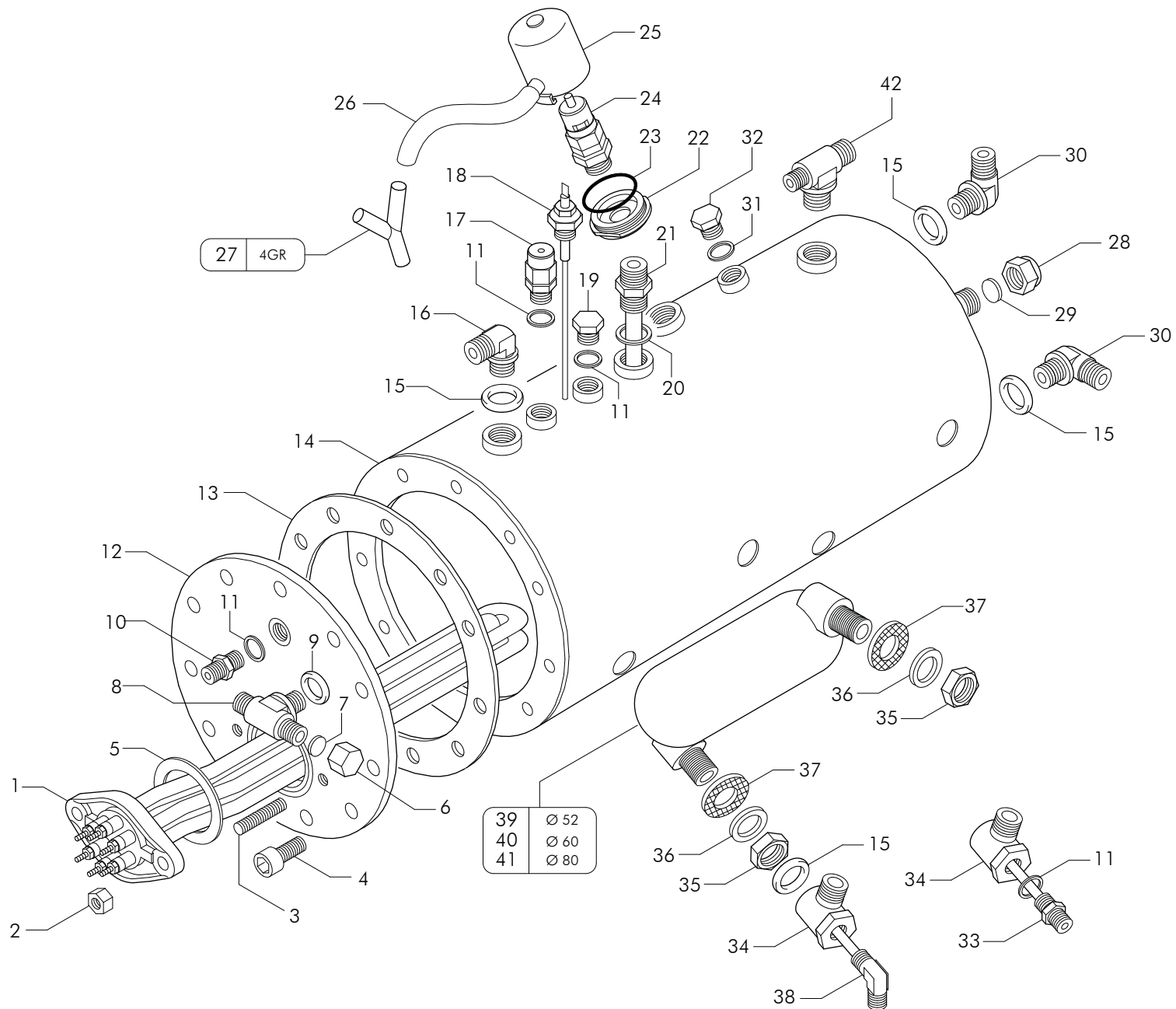
04/2009



Pos	Cod.	Denominazione - IT -	Denomination - GB -	Denomination - FR -	Denomination - DE -
1	17000	RESISTENZA 1GR 4P 120V 1700W	HEATING ELEMENT 1GR 120V 1700W	RESISTANCE 1GR 120V 1700W	HEIZKORPER 1GR 120V 1700W
1	17001	RESISTENZA 1GR 4P 120V 2000W	HEATING ELEMENT 1GR 110V-2000W	RESISTANCE ELECTRIQUE 1GR 110V2000W	HEIZKORPER 1 GR 110V 2000W
1	17006	RESISTENZA 1GR 6P 230/240V 2000/2177W	HEAT.ELEMENT 1GR 220/240 2000/2177W 6P	RESISTANCE 1GR 220/240 2000/2177W 6P	HEIZKORPER 1GR 220/240 2000/2177W
1	17015	RESISTENZA 1GR 4P 440V 2000W	HEATING EL.1GR 440V-2000W 4POLES	RESISTANCE 1GR 440V-2000W 4POLES	HEIZKORPER 1GR 440V-2000W 4POLEN
2	23049	DADO OTTONE M8 UNI 5587	BRASS NUT M8 UNI 5587	ECROU LAITON M8 UNI 5587	MESSING-SCHRAUBENMUTTER M8 UNI 5587
3	23133	PRIGIONIERO INOX AISI304 8X30 DIN 939	STAINLESS STEEL BOLT AISI304 8X40	VIS INOX AISI304 8X40	STAHLSCHRAUBE 8X40 AISI304 8X40
4	23556	VITE TCEI INOX 10X20 UNI5931 DIN912	STEEL SCREW TCCE 10X20	VIS INOX TCCE 10X20	STAHLSCHRAUBE TCCE 10X20
5	12001	GUARNIZIONE TEFLON VERGINE	TEFLON GASKET ELEMENT/EXCH. 58X43X2	JOINT TEFLON RESIST/ECHANG. 58X43X2	TEFLON DICHTUNG 58X23X2
6	23203	RACCORDO OTT.GOM.D6.2 1/4X1/4 CON	ELBOW BRASS CONNECTOR D6.2 1/4X1/4	RACCORD COUDE LAITON D6.2 1/4X1/4	MESSING-ANSCHLUSS D6.2 1/4X1/4
7	53011	FLANGIA NORMALE SENZA FORI	FLANGE WITHOUT HOLES	BRIDE SANS TROUS	NORMALER FLANSCH OHNE LÖCHER
8	12003	GUARNIZIONE TEFLON	BOILER TEFLON GASKET 190X139X2	JOINT CHAUDIERE TEFLON 190X139X2	TEFLON KESSELDICHTUNG 190X139X2
9	62020001	CALDAIA JUN CTS AEA 5LT	CTS AEA 5LT JUN BOILER	CHAUDIERE JUN CTS AEA 5L. F	HEIZKESSEL JUNIOR CTS AEA 5L
9	62020002	CALDAIA 1GR CTS AEA 6LT	CTS AEA 6LT BOILER 1 UNIT	CHAUDIERE 1GR CTS AEA 6L. F	HEIZKESSEL 1GR CTS AEA 6LT
9	62020003	CALDAIA JUN CTS AEA OVE	CTS AEA JUN OVE BOILER	CHAUDIERE JUN CTS AEA OVE	HEIZKESSEL JUN CTS AEA OVE
9	62020004	CALDAIA 1GR CTS AEA OVE	CTS AEA OVE BOILER 1 UNIT	CHAUDIERE 1GR CTS AEA OVE	HEIZKESSEL 1GR CTS AEA OVE
10	12005	GUARNIZIONE REINZXCAMB.CAR.28X17X2	GASKET REINZ EXCH.28X17X2	JOINT REINZ D'ECHANGEUR 28X17X2	AUSTAUSCH DICHTUNG AUSTAUSCHER 28X17X2
11	25651	RONDELLA OTTONE 3/8	BRASS WASHER 3/8	RONDELLE LAITON 3/8	MESSINGSCHLEIBE 3/8
12	25356	CONTRODADO OTTONE 3/8	BRASS LOCK NUT 3/8	CONTRE-ECROU LAITON 3/8	MESSING-GEGENMUTTER 3/8
13	12101	GUARNIZIONE CU/ALIM 3/8 22X17X3	3/8 22X17X3 FEEDER/COPPER SEAL	JOINT CUIVRE/ALIM 3/8 22X17X3	KUPFERDICHTUNG/SPEIS. 3/8 22X17X3
14	43030001	RACCORDO INIETTORE ITALIA 3/8FX3/8MX14F	3/8FX3/8MX14F INJECTOR FITTING	RACC. INJECTEUR 3/8FX3/8MX14F	ANSCHLUSS EINSPRITZER 3/8FX3/8MX14F
14	43030001	RACCORDO INIETTORE ITALIA 3/8FX3/8MX14F	3/8FX3/8MX14F INJECTOR FITTING	RACC. INJECTEUR 3/8FX3/8MX14F	ANSCHLUSS EINSPRITZER 3/8FX3/8MX14F
15	12153	GUARNIZIONE CU 1/4 17X13.3X1.5	1/4 17X13.3X1.5 COPPER SEAL	JOINT CUIVRE 1/4 17X13.3X1.5	KUPFERDICHTUNG 1/4 17X13.3X1.5
16	25686001	RACC.1/4-1/4 INIET. CTS + TUB.L-80	1/4-1/4 CTS INJECTOR FITTING+80L PI	RACC.1/4 .1/4 INJECT.+TUYAU L.80	ANSCHLUSS 1/4-1/4 EINSPRITZER+ROHR
17	56009980	ASSIEME PROTEZIONE VALVOLE SICUREZZA	UNIT PROTECTION VALVE	ENSEMBLE PROTECTION VANNE	SATZ-SCHUTZGITTER VENTIL
18	12154	GUARNIZIONE CU 3/8 22X17X1.5	3/8 22X17X1.5 COPPER SEAL	JOINT CUIVRE 3/8 22X17X1.5	KUPFERDICHTUNG 3/8 22X17X1.5
19	25780	TAPPO MASCHIO OTTONE 1/4	BRASS MALE CAP 1/4	BOUCHON MALE LAITON 1/4	MESSING-STOPFEN 1/4
20	52000119	TBS.D-10 L.125 PESCANTE "L" A 50/A	D-10 125 L PIPE CUPWARMER AT 50/A	TUYAU D-10 L.125 POUR ASPIRATION "L"	ROHR D.10 L.125 A 50/A
21	43033	RACCORDO "T" 3/8X3/8X1/4	3/8X3/8X1/4 T FITTING	RACCORD "T" 3/8X3/8X1/4	ANSCHLUSS 3/8X3/8X1/4 T
22	20352	VALVOLA DI SICUREZZA *CE*	*CE* SAFETY VALVE	SOUPAPE DE SECURITE *CE*	SICHERHEITSVENTIL *CE*
22	20356	VALVOLA DI SICUREZZA CE ITALIA	*CE* SAFETY VALVE ITALY	SOUPAPE DE SECURITE *CE* ITALY	SICHERHEITSVENTIL *CE* ITALY
23	20251	SONDA LIVELLO	LEVEL PROBE	JAUG	PEGELFÜHLER
24	56150	VALVOLA ANTIRISUCCHIO V.A.R.	ANTI-EDDY VALVE V.A.R.	SOUPAPE ANTI-DEPRESSION V.A.R.	VENTIL UNTERDRUCKFREI V.A.R.
25	15006001	FLANGIA VALVOLA SICUREZZA	FLANGE VALVE	JOINT VANNE	FLANSCH VENTIL
26	15478002	TUBO SILICONE 8X11 L.70CM	SILICONE TUBE 8X11 L.70CM	TUYAU SILICONE 8X11 L.70CM	SILIKONROHR 8X11 L.70CM
27	12300000	GUARNIZIONE OR 3156 HNBR	O RING	JOINT OR	OR DICHTUNG
28	52000410	TUBO D-6 L.85 AEP-SAE/2GR GL11	TUBE D-6 L.85 GL11	TUYAU D-6 L.85 GL11	ROHR D-6 L.85 GL11
29	63201	SCAMB. A CIRC.TERMOSIFONICA JUNIOR	JUNIOR EXCHANGER W/THERMOSIPH. CIRC	ECHANG.CIRCUL.A THERMOSI. JUNIOR	AUSTAUSCHER MIT R\205HREN JUNIOR
30	63201001	SCAMB.CIRC.TERMOSIFONICA JUN D-60	EXCHANGER WITH THERM.CIRCULATI JUN D-60	ECHANG. CIRCUL. A THERMOSIPHON JUN D-60	AUSTAUSCHER MIT ROHREN JUN D-60
31	63201002	SCAMB.CIRC.TERMOSIFONICA JUN D-80	EXCHANGER WITH THERM.CIRCULATI JUN D-80	ECHANG. CIRCUL. A THERMOSIPHON JUN D-80	AUSTAUSCHER MIT ROHREN JUN D-80
32	63200	SCAMBIATORE A CIRC.TERMOSIFONICA D.52	EXCHANGER WITH THERMOS.CIRCULATI D.52	ECHANG. CIRCUL. A THERMOSIPHON D.52	AUSTAUSCHER MIT ROHREN D.52
33	63200001	SCAMB.CIRC.TERMOSIFONICA D-60	EXCHANGER WITH THERMOS.CIRCULATI D-60	ECHANG. CIRCUL. A THERMOSIPHON D-60	AUSTAUSCHER MIT ROHREN D-60
34	63200002	SCAMB.CIRC.TERMOSIFONICA D-80	EXCHANGER WITH THERMOS.CIRCULATI D-80	ECHANG. CIRCUL. A THERMOSIPHON D-80	AUSTAUSCHER MIT ROHREN D-80



Pos	Cod.	Denominazione - IT -	Denomination - GB -	Denomination - FR -	Denomination - DE -
1	17050	RESISTENZA 2GR 4P 120V 2600W	HEATING ELEMENT 2GR 110V-2600W	RESISTANCE ELEC. 2GR 110V-2600W	HEIZKORPER 2GR 110V-2600W
1	17054	RESISTENZA 2GR 6P 230/380V 2600W	HEATING EL.2GR 220/380V-2600W 6POLE	RESISTANCE 2GR 220V/380V-2600W 6P	HEIZKORPER 2GR 220V/380V-2600 6P
1	17057	RESISTENZA 2GR 6P 230/240V 4000/4350W	HEATING EL. 2GR 220/380V-4000W 6P	RESISTANCE 2GR 220/380V 4000W 6P.	HEIZKORPER 2GR 220/380V 4000W 6P
1	17058	RESISTENZA 2GR 6P 230/380V 3000V	HEATING EL.2GR 220/380V-3000W 6POLE	RESISTANCE 2GR 220/380V-3000W 6POLE	HEIZKORPER 2GR 220/380V-3000W 6P
1	17059	RESISTENZA 2GR 6P 230/240V 3400/3700W	HEATING EL.2GR 220/240V 3400/3700W 6P	RESISTANCE 2GR 220/240V 3400/3700W 6P	HEIZKORPER 2GR 220/240V 3400/3700W 6P
1	17060	RESISTENZA 2GR 6P 230/380V 4500W	HEATING EL.2GR 230/380V 4500W 6POLE	RESISTANCE 2GR 230/380V 4500W 6POLE	HEIZKORPER 2GR 230/380V 4500W 6P
1	17061	RESISTENZA 2GR 4P 440V 2600W	HEATING ELEMENT 2GR 440V 2600W 4P	RESISTANCE ELEC. 2GR 440V 2600W 4P	HEIZKORPER 2GR 440V 2600W 4P
1	17062	RESISTENZA 2GR 4P 440V 4000W	HEATING ELEMENT 2GR 440V 4000W 4P	RESISTANCE ELEC. 2GR 440V 4000W 4P	HEIZKORPER 2GR 440V 4000W 4P
1	17063	RESISTENZA 2GR 6P 230/380V 6000	HEATING EL. 2GR 220/380V 6000W 6P	RESISTANCE ELEC. 220/380V 6000W 6P	HEIZKORPER 2GR 220/380V 6000W 6P
1	17100	RESISTENZA 3GR 4P 120V 3700W	HEATING ELEMENT 3 GR 110V 3700W	RESISTANCE ELEC. 3GR 110V 3700W	HEIZKORPER 3GR 110V 3700W
1	17104	RESISTENZA 3GR 6P 230/380V 3700W	HEATING EL. 3GR 220/380V 3700W 6P	RESISTANCE 3GR 220/380V 3700W 6P	HEIZKORPER 3GR 220/380V 3700W 6P
1	17107	RESISTENZA 3GR 6P 230/240V 5000/5440W	HEATING EL. 3GR 220/240V 5000/5440 6P	RESISTANCE 3GR 220/240V 5000/5440W	HEIZKORPER 3GR 220/240V 5000/5440W
1	17114	RESISTENZA 3GR 4P 440V 3700W	HEATING EL. 3GR 440V 3700W 4POLE	RESISTANCE 3GR 440V 3700W 4POLE	HEIZKORPER 3GR 440V 3700W 4P
1	17115	RESISTENZA 3GR 6P 230/400V 6000W	HEATING EL. 3GR 220/380V 6000W 6P	RESISTANCE 3GR 220/380V 6000W 6P	HEIZKORPER 3GR 220/380V 6000W 6P
1	17151	RESISTENZA 4GR 6P 230/380V 5000W	HEATING EL. 4GR 220/380V 5000W 6P	RESISTANCE 4GR 220/380V 5000W 6P	HEIZKORPER 4GR 220/380V 5000W 6P
1	17152001	RESISTENZA 4GR 6P 230/380V 7000W	HEATING EL. 4GR 220/380V 7000W 6P	RESISTANCE 4GR 220/380V 7000W 6P	HEIZKORPER 4GR 220/380V 7000W 6P
1	17155	RESISTENZA 4GR 4P 440V 5000W	HEATING EL. 4GR 440V 5000W 4POLES	RESISTANCE 4GR 440V 5000W 4POLES	HEIZKORPER 4GR 440V 5000W 4POLEN
2	23049	DADO OTTONE M8 UNI 5587	BRASS NUT M8 UNI 5587	ECROU LAITON M8 UNI 5587	MESSING-SCHRAUBENMUTTER M8 UNI 5587
3	23133	PRIGIONIERO INOX AISI304 8X30 DIN 939	STAINLESS STEEL BOLT AISI304 8X40	VIS INOX AISI304 8X40	STAHLSCHRAUBE 8X40 AISI304 8X40
4	23556	VITE TCEI INOX 10X20 UNI5931 DIN912	STEEL SCREW TCCE 10X20	VIS INOX TCCE 10X20	STAHLSCHRAUBE TCCE 10X20
5	12001	GUARNIZIONE TEFLON VERGINE	TEFLON GASKET ELEMENT/EXCH. 58X43X2	JOINT TEFLON RESIST/ECHANG. 58X43X2	TEFLON DICHTUNG 58X23X2
6	25782	TAPPO FEMMINA 1/4 GAS	1/4 GAS FEMALE TAP	BOUCHON FEMELLE 1/4 GAZ	INNENANSCHLUSSSTÖPSEL 1/4 GAS
7	12007	GUARNIZIONE KLINGERSIL4400	KLINGERSIL4400 SEAL	JOINT KLINGERSIL4400 POUR BOUCHON	DICHTUNG KLINGER SIL4400 X DECKEL
8	43060	RACCORDO 1/4X1/4X1/4 T	'T' CONNECTOR 1/4 + 1/4 + 1/4	RACCORD 'T' 1/4 + 1/4 + 1/4	T'-ANSCHLUSS 1/4+1/4+1/4
9	12100	GUARNIZIONE CU/ALIM 1/4 18.7X13.2X2.5	CU GASKET 1/4 18.7X13.2X2.5	JOINT CU 1/4 18.7X13.2X2.5	CU DICHTUNG 1/4 18.7X13.2X2.5
10	25686	RACCORDO 1/4X1/4 FLANGIA	CONNECTOR 1/4 X 1/4 FLANGE	RACCORD 1/4 X 1/4 BRIDE	ANSCHLUSS 1/4X1/4 FLANSCH
11	12153	GUARNIZIONE CU 1/4 17X13.3X1.5	1/4 17X13.3X1.5 COPPER SEAL	JOINT CUIVRE 1/4 17X13.3X1.5	KUPFERDICHTUNG 1/4 17X13.3X1.5
12	53011	FLANGIA NORMALE SENZA FORI	FLANGE WITHOUT HOLES	BRIDE SANS TROUS	NORMALER FLANSCH OHNE LÖCHER
13	12003	GUARNIZIONE TEFLON	BOILER TEFLON GASKET 190X139X2	JOINT CHAUDIERE TEFLON 190X139X2	TEFLON KESSELDICHTUNG 190X139X2
14	62143001	CALDAIA 2GR CTS AEA	CTS AEA BOILER 2 UNIT	CHAUDIERE 2GR CTS AEA	HEIZKESSEL 2GR CTS AEA
14	62143002	CALDAIA 2GR CTS AEA OVE	CTS AEA OVE BOILER 2 UNIT	CHAUDIERE 2GR CTS AEA OVE	HEIZKESSEL 2GR CTS AEA OVE
14	62250001	CALDAIA 3GR CTS AEA	CTS AEA BOILER 3 UNIT	CHAUDIERE 3GR CTS AEA	HEIZKESSEL 3GR CTS AEA
14	62250002	CALDAIA 3GR CTS AEA OVE	CTS AEA OVE BOILER 3 UNIT	CHAUDIERE 3GR CTS AEA OVE	HEIZKESSEL 3GR CTS AEA OVE
14	62356001	CALDAIA 4GR CTS AEA	CTS AEA BOILER 4 UNIT	CHAUDIERE 4GR CTS AEA	HEIZKESSEL 4GR CTS AEA
14	62356002	CALDAIA 4GR CTS AEA OVE	CTS AEA OVE BOILER 4 UNIT	CHAUDIERE 4GR CTS AEA OVE	HEIZKESSEL 4GR CTS AEA OVE
15	12101	GUARNIZIONE CU/ALIM 3/8 22X17X3	3/8 22X17X3 FEEDER/COPPER SEAL	JOINT CUIVRE/ALIM 3/8 22X17X3	KUPFERDICHTUNG/SPEIS. 3/8 22X17X3



Pos	Cod.	Denominazione - IT -	Denomination - GB -	Denomination - FR -	Denomination - DE -
16	43052	RACCORDO "L" 3/8	CONNECTOR "L" 3/8	RACCORD "L" 3/8	ANSCHLUSS "L" 3/8
17	56150	VALVOLA ANTIRISUCCHIO V.A.R.	ANTI-EDDY VALVE V.A.R.	SOUPAPE ANTI-DEPRESSION V.A.R.	VENTIL UNTERDRUCKFREI V.A.R.
18	20251	SONDA LIVELLO	LEVEL PROBE	JAUG	PEGELFÜHLER
19	25780	TAPPO MASCHIO OTTONE 1/4	BRASS MALE CAP 1/4	BOUCHON MALE LAITON 1/4	MESSING-STOPFEN 1/4
20	12154	GUARNIZIONE CU 3/8 22X17X1.5	3/8 22X17X1.5 COPPER SEAL	JOINT CUIVRE 3/8 22X17X1.5	KUPFERDICHTUNG 3/8 22X17X1.5
21	52000118	TUBO D-10 L.130	TUBE D-10 L.130	TUYAU D-10 L.130	ROHR D-10 L.130
22	15006001	FLANGIA VALVOLA SICUREZZA	FLANGE VALVE	JOINT VANNE	FLANSCH VENTIL
23	12300000	GUARNIZIONE OR 3156 HNBR	O RING	JOINT OR	OR DICHTUNG
24	20352	VALVOLA DI SICUREZZA *CE*	*CE* SAFETY VALVE	SOUPAPE DE SECURITE *CE*	SICHERHEITSVENTIL *CE*
24	20356	VALVOLA DI SICUREZZA CE ITALIA	*CE* SAFETY VALVE ITALY	SOUPAPE DE SECURITE *CE* ITALY	SICHERHEITSVENTIL *CE* ITALY
25	56009980	ASSIEME PROTEZIONE VALVOLE SICUREZZA	UNIT PROTECTION VALVE	ENSEMBLE PROTECTION VANNE	SATZ-SCHUTZGITTER VENTIL
26	15478002	TUBO SILICONE 8X11 L.70CM	SILICONE TUBE 8X11 L.70CM	TUYAU SILICONE 8X11 L.70CM	SILIKONROHR 8X11 L.70CM
27	15422010	RACCORDO "Y" POLIPROPILENE D-10	"Y" POLIPROPILENE FITTING	RACCORD "Y" POLIPROPILENE	ANSCHLUSS "Y" POLIPROPILENE
28	25781	TAPPO FEMMINA 3/8	FEMALE CAP 3/8	BOUCHON FEMELLE 3/8	STOPFEN 3/8
29	12402	GUARNIZIONE PASTICCA KLINGERSIL4400	GASKET KLINGERSIL4400 15X3	JOINT KLINGERSIL4400 15X3	DICHTUNG KLINGERSIL4400 15X3
30	43052	RACCORDO "L" 3/8	CONNECTOR 'L' 3/8	RACCORD 'L' 3/8	ANSCHLUSS 'L' 3/8
31	12154	GUARNIZIONE CU 3/8 22X17X1.5	3/8 22X17X1.5 COPPER SEAL	JOINT CUIVRE 3/8 22X17X1.5	KUPFERDICHTUNG 3/8 22X17X1.5
32	25785	TAPPO MASCHIO 3/8	MALE CAP 3/8	BOUCHON MALE 3/8	STOPFEN 3/8
33	25686001	RACC.1/4-1/4 INIET. CTS + TUB.L-80	1/4-1/4 CTS INJECTOR FITTING+80L PI	RACC.1/4 .1/4 INJECT.+TUYAU L.80	ANSCHLUSS 1/4-1/4 EINSPRITZER+ROHR
34	43030001	RACCORDO INIETTORE ITALIA 3/8FX3/8MX14F	3/8FX3/8MX14F INJECTOR FITTING	RACC. INJECTEUR 3/8FX3/8MX14F	ANSCHLUSS EINSPRITZER 3/8FX3/8MX14F
35	25356	CONTRODADO OTTONE 3/8	BRASS LOCK NUT 3/8	CONTRE-ECROU LAITON 3/8	MESSING-GEGENMUTTER 3/8
36	25651	RONDELLA OTTONE 3/8	BRASS WASHER 3/8	RONDELLE LAITON 3/8	MESSINGSCHIEBE 3/8
37	12005	GUARNIZIONE REINZXCAMB.CAR.28X17X2	GASKET REINZ EXCH.28X17X2	JOINT REINZ D'ECHANGEUR 28X17X2	AUSTAUSCH DICHTUNG AUSTAUSCHER 28X17X2
38	52000410	TUBO D-6 L.85 AEP-SAE/2GR GL11	TUBE D-6 L.85 GL11	TUYAU D-6 L.85 GL11	ROHR D-6 L.85 GL11
39	63200	SCAMBIATORE A CIRC.TERMOSIFONICA D.52	EXCHANGER WITH THERMOS.CIRCULATI D.52	ECHANG. CIRCUL. A THERMOSIPHON D.52	AUSTAUSCHER MIT ROHREN D.52
40	63200001	SCAMB.CIRC.TERMOSIFONICA D-60	EXCHANGER WITH THERMOS.CIRCULATI D-60	ECHANG. CIRCUL. A THERMOSIPHON D-60	AUSTAUSCHER MIT ROHREN D-60
41	63200002	SCAMB.CIRC.TERMOSIFONICA D-80	EXCHANGER WITH THERMOS.CIRCULATI D-80	ECHANG. CIRCUL. A THERMOSIPHON D-80	AUSTAUSCHER MIT ROHREN D-80
42	43033	RACCORDO "T" 3/8X3/8X1/4	3/8X3/8X1/4 T FITTING	RACCORD "T" 3/8X3/8X1/4	ANSCHLUSS 3/8X3/8X1/4 T