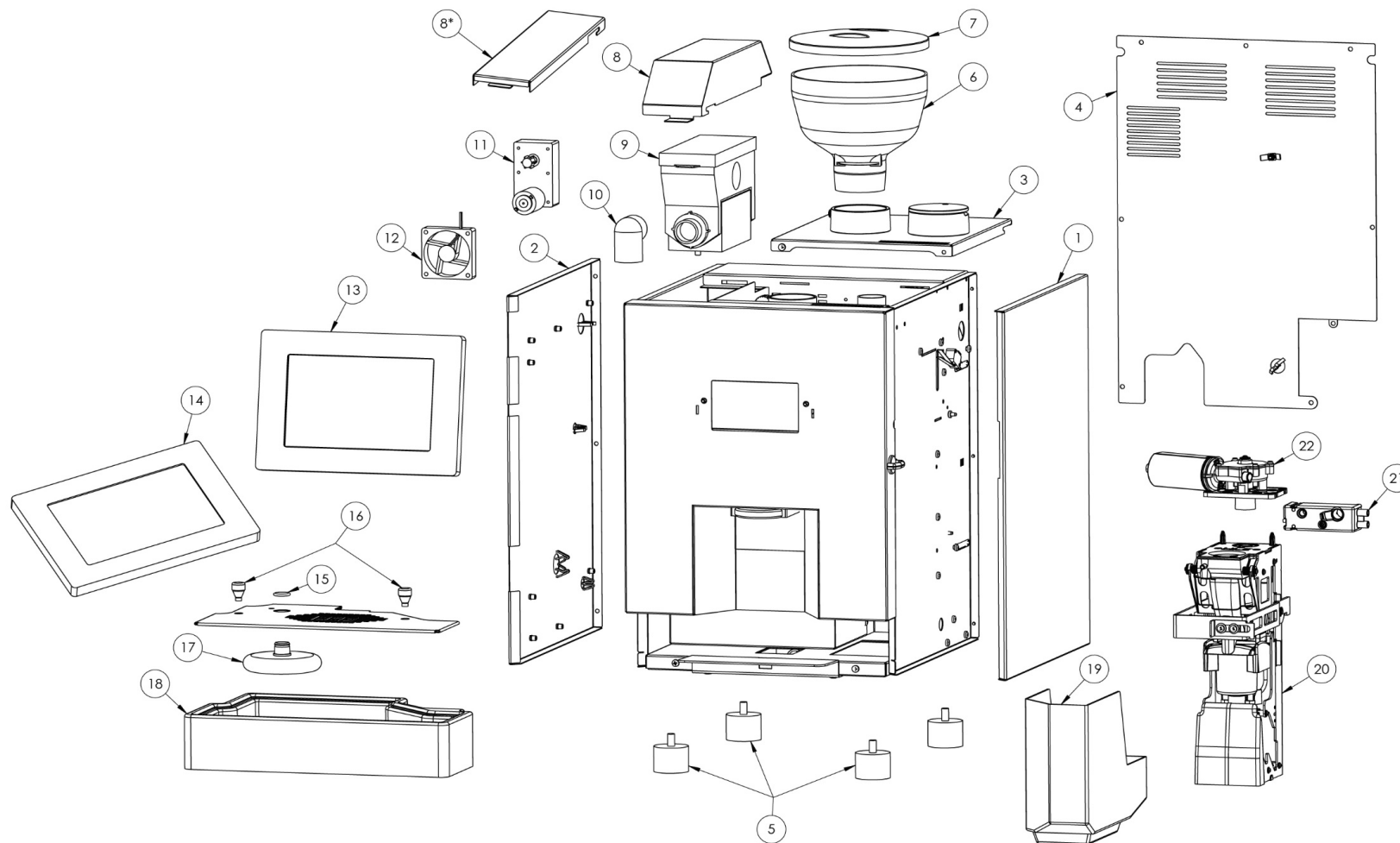


HLF
ITALIAN DESIGN

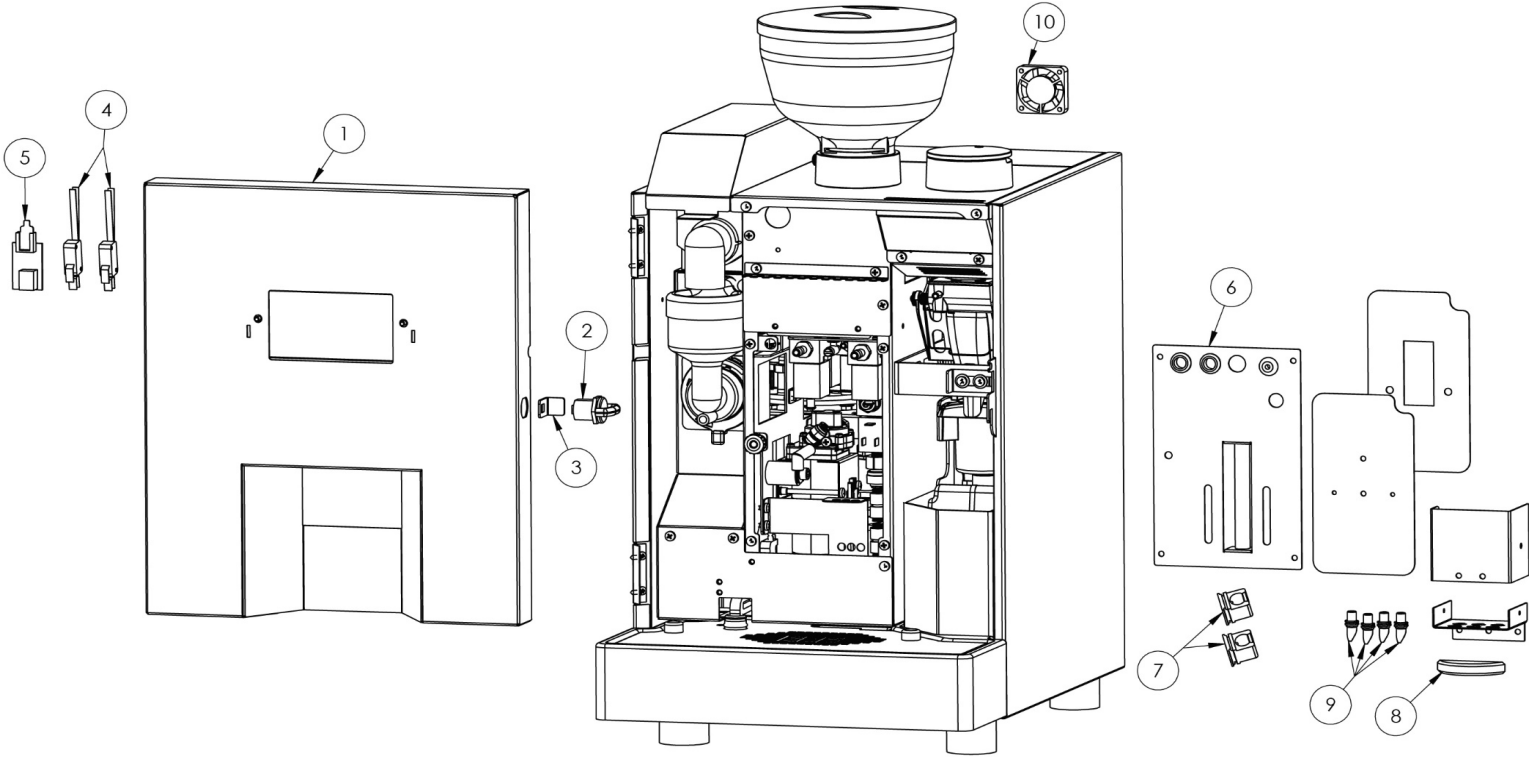
HLF 1700
SPARE PARTS
AND DIAGRAMS

HLF 1700
DRAW N.1



N.	CODE	DESCRIZIONE	DESCRIPTION
1	5MCLVN090	COPERTURA LATERALE ESTERNA DX 1700 VERN.NERA	RIGHT SIDE PANEL 1700
2	5MCLVN092	COPERTURA LATERALE ESTERNA SX 1700 VERN.NERA	LEFT SIDE PANEL 1700
3	3A0001198	COPERCHIO SUPERIORE ASSEMBLATO 1700R	TOP LID ASSEMBLY 1700R
4	3A0001201	ASSIEME PANNELLO BACK 1700 R	BACK PANEL ASSEMBLY 1700R
5	9RPIN4009	PIEDINO PROTEZIONE D.40 H. 30 GOMMA NERO - M8X14.5 - SH. 55	RUBBER FEET D.40 H. 30 - M8X14.5
6	9PCOC0319	CONTENITORE CAFFE' + GHIERA MAZZER - 0,32 KG	EXTERNAL COFFEE BEANS HOPPER
6*	9PCOC0325	CONTENITORE CAFFÈ + GHIERA MAZZER - 1 KG	EXTERNAL COFFEE BEANS HOPPER - 1 KG
7	9PCPC0322	COPERCHIO CONT.CAFFE' 0,32KG - 0,65KG	BLACK EXTERNAL COFFEE BEANS HOPPER TOP LID
7*	9PCPC0326	COPERCHIO CONT. CAFFE' NERO - 1 KG	1 KG BLACK EXTERNAL COFFEE BEANS HOPPER TOP LID
8	5M0001486	COPERCHIO SUPERIORE SOLUBILE 1700R	1700R SOLUBLE TOP COVER
8*	5M0001475	COPERCHIO SUPERIORE TANICA 1700R	TOP COVER 1700R TANK
9	5PCOSA275	CONTENITORE SOLUBILI 17/3600	PROD.CANISTER 64 NSF L.120 PLASTIC AUGER W/SPRINGS
10	9PPDR0342	PIPA CENTRALE L.50 PLAST.NATURALE	WHITE PLASTIC PIPE
11	5EMRSM385	MOTORIDUTTORE SOLUBILI 24DC 130 - ASS. CONTRARIO	SOLUBLE GEARMOTOR - M.1000/3700/4700
12	3S0001005	MINIVENTOLA PLASTICA MOD.60x60X15 24VDC - CABLATA	MINI PLASTIC FAN 60X60X15 24VDC
13	3A0001229	FRONTALE DISPLAY TOUCH SCREEN M.1700 8" - V.02	M.1700 8" TOUCH SCREEN DISPLAY - ASSEMBLY V.02
13*	0HLKIT1022	KIT DISPLAY TOUCH SCREEN 8" V.02 1700R	KIT DISPLAY TOUCH SCREEN 8" V.02 1700R
13**	0HLKIT1023	KIT DISPLAY TOUCH SCREEN 8" V.02 1700	KIT DISPLAY TOUCH SCREEN 8" V.02 1700
14	9BFTP0166	FRONTALE DISPLAY NERO 1700 8" - 240x166 SP.15mm	M.1700 DISPLAY 240x166x15
15	9RORN3018	GUARNIZIONE OR 2,62 X 13,95 NBR	O-RING FOR DRIP TRAY FLOAT
16	9RPPN0965	PARACOLPI GOMMA D. 15 MM H. 8,5	RUBBER BUMPER D.15 H. 8,5
17	5PGAR0151	GALLEGGIANTE ROSSO VASCHETTA RACCOGLI GOCCE - SALDATO	RED DRIP TRAY FLOAT
18	9PVGNO271	VASCHETTA RACCOGLI GOCCE NERA 1700 M. 2015 V.01	PLASTIC DRIP TRAY 1700/2700 M.2015 V.01 - BLACK
19	9PVFN3464	CASSETTO PLASTICA FONDI NERO 17/37/4700 M. 2015 V.02	17/37/4700 PLASTIC PUCKS DRAWER - BLACK
20	3A0001069	MD 400 E COFFEE UNIT	MD 400 E COFFEE UNIT
20*	0HLKIT1028	10.000 CICLI GRUPPO CAFFE' MD400E - BUSTA	10.000 DRINKS MD400E COFFEE GROUP - BAG
20**	0HLKIT1033	40.000 CICLI GRUPPO CAFFE' MD400E + MACINE PIANE G1 - BOX	40.000 CYCLES COFFEE GROUP MD400E - BAG
21	3A0001154	ASSIEME BLOCCHETTO FEMMINA MD 400 E-1700R	FEMALE BLOCK ASSEMBLY MD 400 E-1700R
22	3A0001180	ASSIEME MOTORIDUTTORE MD 400 E COFFEE UNIT 1700R	GEAR MOTOR ASSEMBLY MD400E COFFEE UNIT 1700R

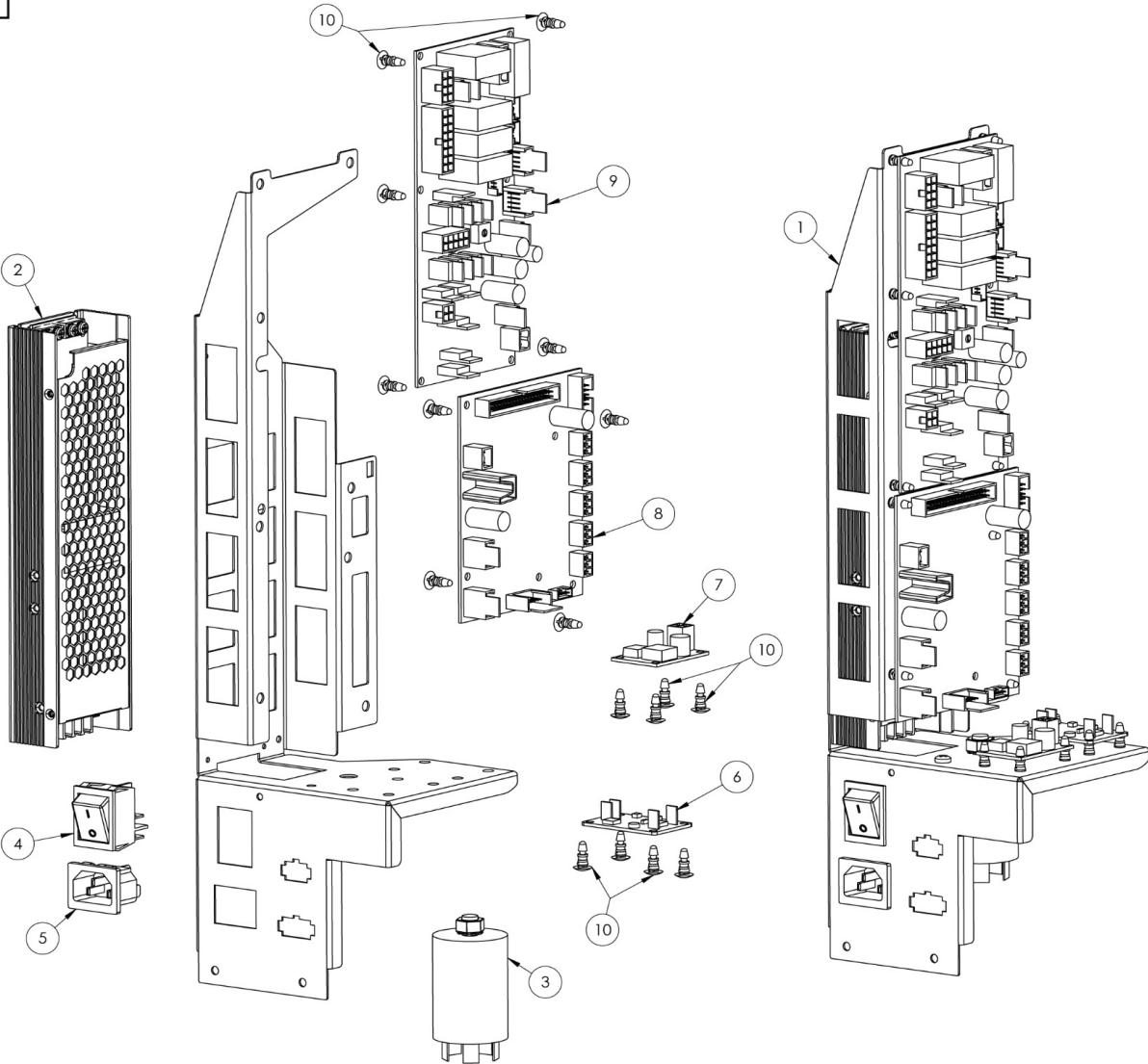
HLF 1700
DRAW N.2



HLF 1700 - draw n.2

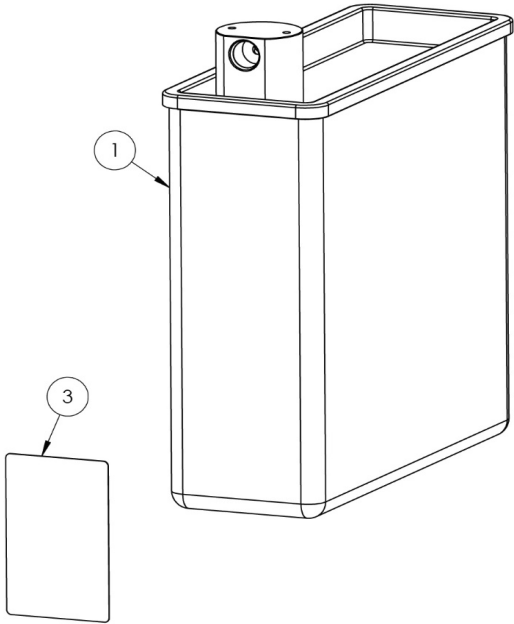
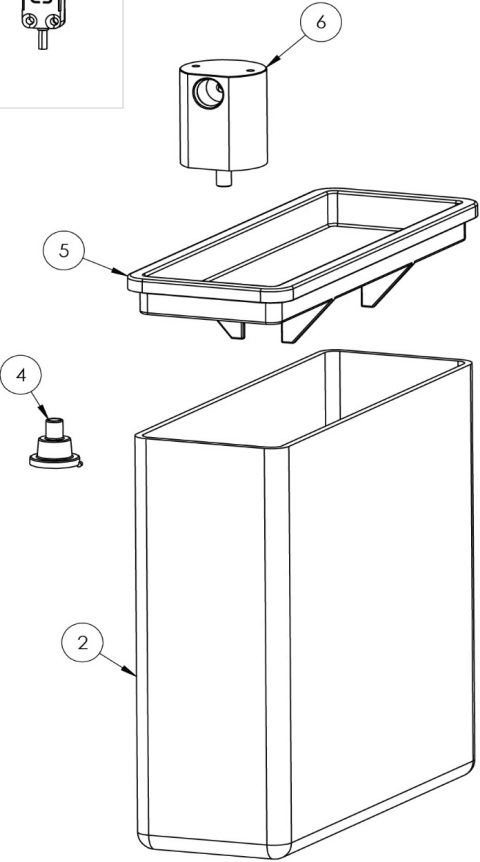
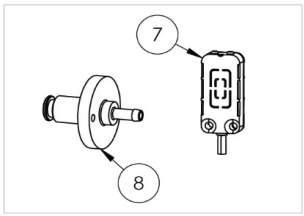
N.	CODE	DESCRIZIONE	DESCRIPTION
1	5MPTVN095	PORTA ANTERIORE 1700 TOUCH - VERN. NERO MN300M	BLACK FRONT DOOR 1700 - TOUCH DISPLAY
2	9ISEC0231	SERRATURA GIUSSANI PGA 2 20MM - ROT. 90° NO USC.	FRONT DOOR LOCK BOX 4
3	9MGNF0316	GANCIO CHIUSURA 17/2700 INOX 15/10	FRONT DOOR LOCK HOOK A. 1700
4	9E0001034	MICROINT. CROUZET LEVA DRITTA L.60 cod.83263025	MICROSWITCH STRAIGHT LEVER
5	5SSCU0001	SCHEDA CONNESSIONE USB > UART-1 VASCHETTA 6 POLI	USB SERIAL CONNECTION BOARD
6	3M0001044	ASSIEME SUPPORTO TUBI EROGATORI	SUPPORT FOR DISPENSER TUBES
7	9RCFT0013	COLLARE FERMATUBI D.13 MM - PLASTICA NERA	PIPES-CLAMP RING D.13 MM - BLACK PLASTIC
8	9PATN0171	MANIGLIA REGOLAZIONE FUORIUSCITE M.1700 - POM NERO	ADJUSTMENT HANDLE FOR RELEASE M.1700 - BLACK PLASTIC
9	9PFUG0270	FUORIUSCITE GRIGIE	GREY DRINK SPOUT
10	5SVEPC402	MINIVENTOLA 40X40X10 CABLATA C/MORS. 2 POLI - 10 CM	MINI FAN 40X40X10 W/2 WAY CLAMP - 10 CM

HLF 1700
DRAW N.3



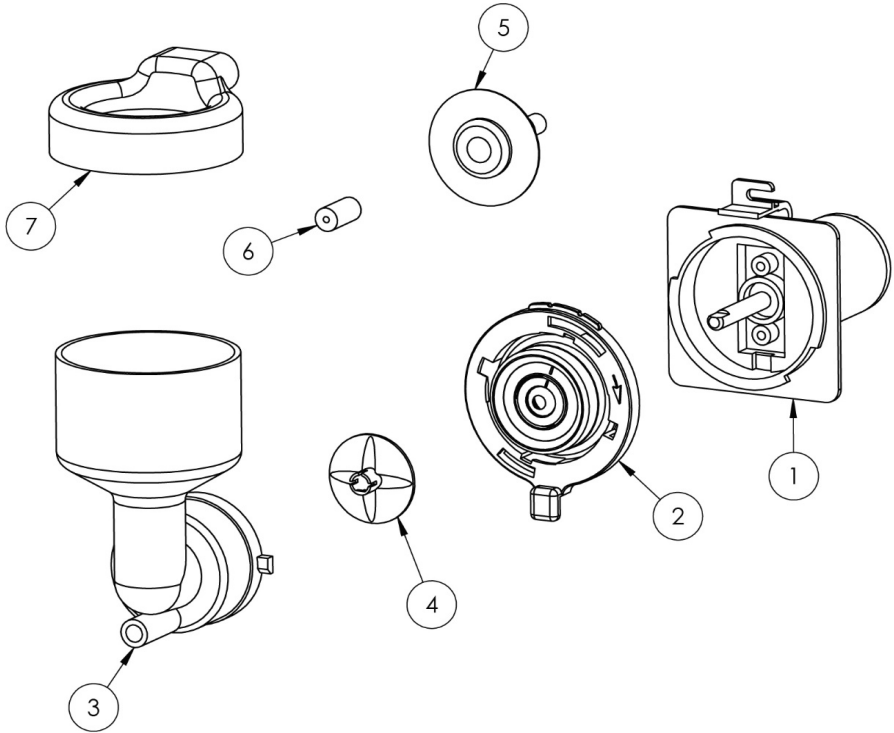
N.	CODE	DESCRIZIONE	DESCRIPTION
1	3A0001200	ASSIEME ALIMENTAZIONE 1700R	POWER SUPPLY ASSEMBLY 1700R
2	9E0001007	ALIMENTATORE AC/DC 90-264 VAC 24 VDC 350W MW	POWER 90-264 VAC - 24 VDC 350W MW
3	9SFIA0230	FILTRO ANTIDISTURBO RETE 230V NERO	NET FILTER 230V
4	9EINR3210	INTERRUTTORE NERO 1/0 22X30 BIPOLARE 20A	MAIN SWITCH I/O 22X30 20A
5	9EPR03017	PRESA SNAP-IN NERA F.6,3 2P+T 30X22 - CS	ELECTRIC SOCKET 30X22 - CS
6	3E0001011	ASSIEME SCHEDA CONTROLLER POMPA AC + MICROCHIP	PUMP CONTROL BOARD ASSEMBLY + MICROCHIP
7	9E0001016	SCHEDA ALIM. BUCK 24-12V TOUCH	POWER BOARD BUCK 24-12V TOUCH
8	9SSMB0104	SCHEDA ELETTRONICA MODULARE HLF - SC.MADRE V.04 C/CLIP CONN.INGRESSI	HLF MODULAR BOARD - MAIN BOARD V.04
9	3E0001008	ASSIEME SCHEDA USCITE V.05 + RELE' STATICO	ASSEMBLY OUTPUT BOARD + STATIC RELAY
10	9PDIN0360	DISTANZIALE SCHEDA H 6mm C/CLIP	PLASTIC FITTING H6 W/CLIP

HLF 1700
DRAW N.4



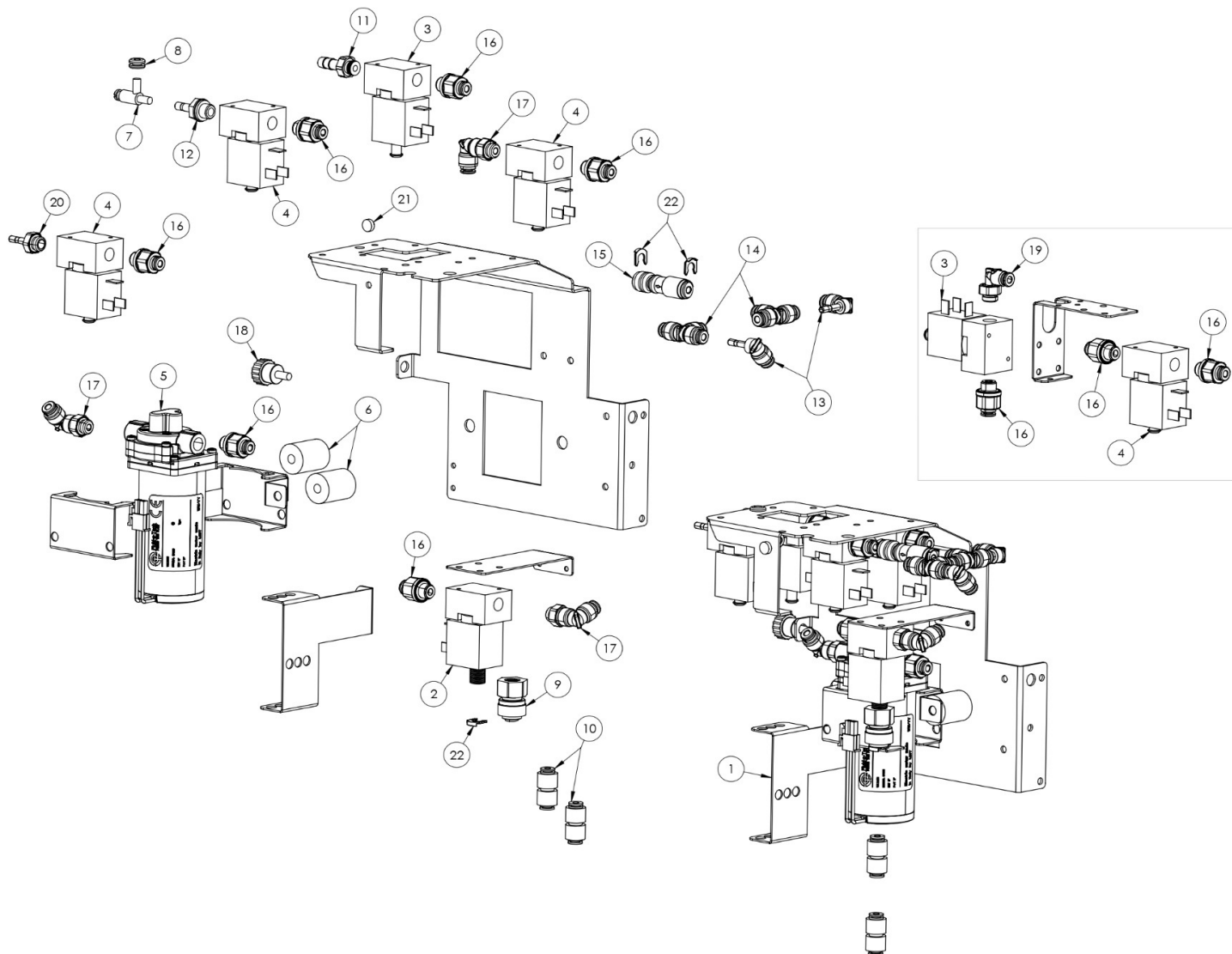
N.	CODE	DESCRIZIONE	DESCRIPTION
1	3A0001091	ASSIEME TANICA DETERGENTE H.180	DETERGENT TANK ASSEMBLY H.180
2	8P0001022	TANICA DETERGENTE H.180MM	PLASTIC WATER TANK H.180MM
2*	9PSEA1580	SERBATOIO H2O PLAST. BIA/TR. 265X70X200 FOR. 50mm + TAPPO 9PTPB0500	PLASTIC WATER TANK 265X70X200
3	9L0001001	ETICHETTA BLU DETERGENTE ACIDO + LIVELLO MAX 2L	BLUE ACID DETERGENT LABEL + MAXIMUM LEVEL 2L
4	9PFIB0241	FILTRO MINI PLAST. D.15/D.5 BIANCO - FORI 0.50	WATER FILTER D.15/D.5
5	8P0001023	COPERCHIO TANICA 62X189,5 FORATO	PERFORATED TANK LID 62X189,5 - 5700
5*	9PTPB0500	TAPPO TRASPARENTE D.50 X SERB. H2O 17/27/5700	WATER TANK CAP D.50 17/27/5700
6	9I0001049	RACCORDO DETERGENTE COPERCHIO TANICA	DETERGENT CONNECTION TANK COVER
7	5ESCPC001	SENSORE CAPACITIVO LIVELLO DETERGENTE SELF CLEANING - CABLATO	CAPACITIVE SENSOR SELF CLEANING
8	9I0001048	UGELLO DETERGENTE MACCHINA	MACHINE CLEANER NOZZLE
-	0HLCLKIT07	KIT HLF DETERGENTE 5 BLU + 1 ROSSA	HLF Milk Cleaning Agent 5 blue + 1 red

HLF 1700
DRAW N.5



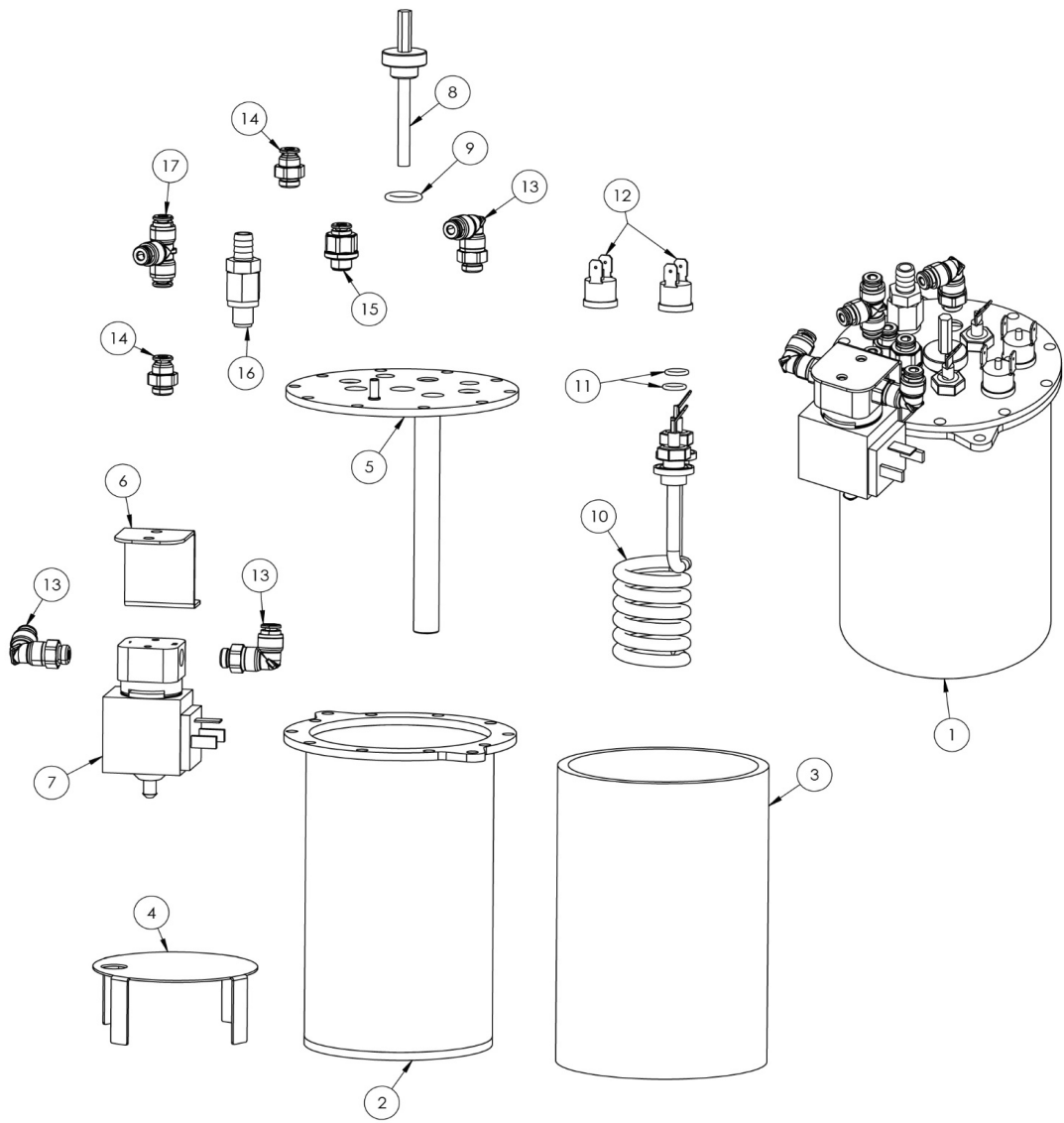
N.	CODE	DESCRIZIONE	DESCRIPTION
1	9EFRF3062	FRULLATORE 24VDC 13000 AL31 X NEW SIST.MIX	WHIPPER MOTOR 24VDC 13000 RPM AL 31
2	9PBTM3002	ASS.BASETTA C/FL.SCATTO MIX2003 GRIGIA	PLASTIC MIXING BOWL FITTING 2003
3	9PVAS2009	VASCETTA MIXER GRIGIA	MIXING BOWL NEW SYSTEM
4	9PVEC2004	VENTOLINA CORTA CON ALETTE	MIXING BLADE
5	9PADP2010	ADAPTOR X VASCETTA MIXER PORTAG. 5/7	MIXING PLASTIC ADAPTOR 5/7
6	9PRIP0081	RIDUTTORE FLUSSO X VASCETTA MIXER PLAST. FORO 2,2	MIXING BOWL WATER RESTRICTOR 2,2
7	9PPSP2051	PARASPRUZZI X CORPO MIX SCATTO M2003	MIXING BOWL COVER M2003

HLF 1700
DRAW N.6



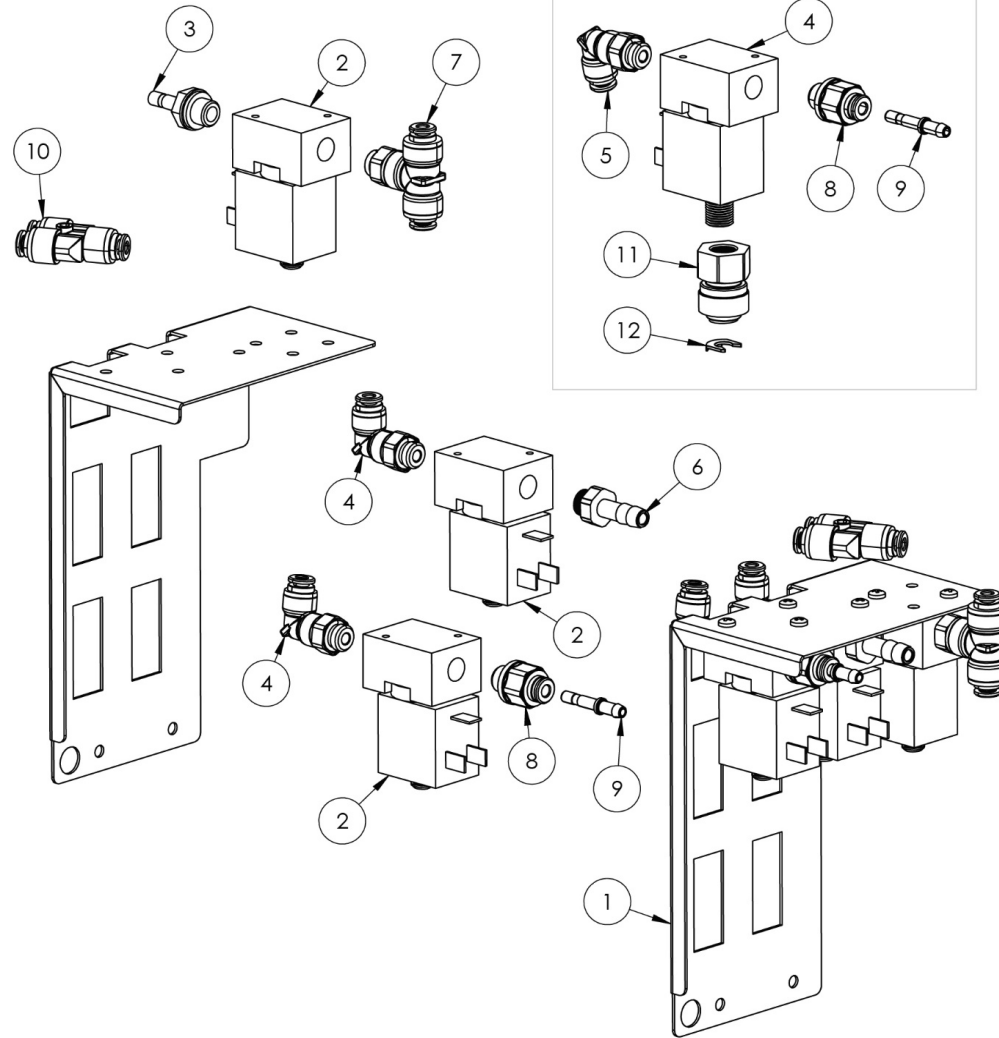
N.	CODE	DESCRIZIONE	DESCRIPTION
1	3A0001204	ASSIEME MODULO LATTE 1700R	MILK MODULE 1700R ASSEMBLY
1*	3A0001197	ASSIEME MODULO LATTE SC 1700R	MILK MODULE SC 1700R ASSEMBLY
2	9EELI3661	E.V.3VIE INOX PIC.1/8FF DN1,9-1,9 24VDC-PTG FIL AE	3 WAY E.V.24V ST.STEEL 1.9 MM W/1,9 THREAD.OUTLET
3	9EELI3680	E.V. 3 VIE INOX PIC. 1/8FF DN 2,9-2,4 24VDC - PTG	3 WAY E.V.24V STAIN.STEEL 2.9 MM W/ OUTLET
4	9EELI3560	ELETTRIVALVOLA 2 VIE INOX 1/8FF DN 1,9 24VDC	2 WAY ELECTROVALVE 24V STAINLESS STEEL 1,9 MM
5	5EMPIC303	POMPA AD INGRAN. MOT. TONDO 24VDC STANDEX LATTE FRESCO CABL. V.03	GEAR PUMP 24VDC PRC - FRESH MILK W/CONNEC v.03
6	9RPAN2025	PIEDINO ANTIVIBRANTE NERO F-F - M6x6 D.20 H.25	ANTI-VIBRATING RUBBER FEET
7	9PREA0600	REGOLATORE DI FLUSSO AIR LOGIC - CAPPUCCINATORE	AIR LOGIC REGULATOR - MILK FROTHIER
8	9RPCN0410	PASSACAVO D.10 INTERNO D.4 SP. LAM. 1,5 - PVC NERO	RUBBER WASHER D.10 INTERNAL D.4
9	9I0001012	RACCORDO 1-8F DIAM 4MM POM TIERRE	UNION TEE 4MM 1-8F
10	9I0001034	RESTRITTORE D.4 - D.0,75 AVS PPSU	RESTRICTOR D.4- D.0,75 AVS PPSU
11	9IPTI1806	PORTAGOMMA 1/8M D.6 INOX C.OR E RESCHE	METAL STRAIGHT HOSE CONNECTOR 1/8M-OR - INOX
12	9IPTM4000	PORTAGOMMA DRITTO 1/8M D.5 C/OR	METAL STRAIGHT HOSE CONNECTOR 1/8M-OR
13	9IROG0404	RACC ANGOLO DA INN RAPIDO A CODOLO Ø4 - Ø4 MM - PPSU AVS	QUICK ELBOW CONNECTOR 4-4MM
14	9IROT0444	RACCORDO AUTOMATICO A T PPSU PER TUBO DA 4-4-4 MM - AVS	UNION TEE 4MM
15	9I0001005	VALVOLA NON RITORNO D.4 - D.4 POM	UNION TEE 4MM
16	9IPTP4003	RACCORDO DRITTO 1/8M C/OR D.4 INN.RAPIDO PPSU - AVS	PPSU QUICK CONN. STRAIGHT FIT.1/8M D.4
17	9IANP4103	RACCORDO GIREVOLE 1/8M C/OR D.4 INN.RAPIDO PPSU - AVS	PPSU QUICK CONN. ELBOW FIT.1/8M D.4
18	9IVON0302	VOLANTINO DI FISSAGGIO ZIGRINATO NERO - M5 L.10 FE ZN	BLACK ROUND KNOB M5
19	9IANI1804	RACCORDO GIREVOLE 1/8M C/OR D.4 INN.RAPIDO INOX - AVS	INOX QUICK CONN. ELBOW FIT.1/8M D.4
20	9IPTI1824	RACCORDO DRITTO 1/8 M CODOLO D.4 INOX - AVS	INOX QUICK CONN. STRAIGHT FIT.1/8M D.4
21	9RPPN0825	PARACOLPI GOMMA D8 H. 2,5	RUBBER BUMPER D.8 H. 2,5

HLF 1700
DRAW N.7



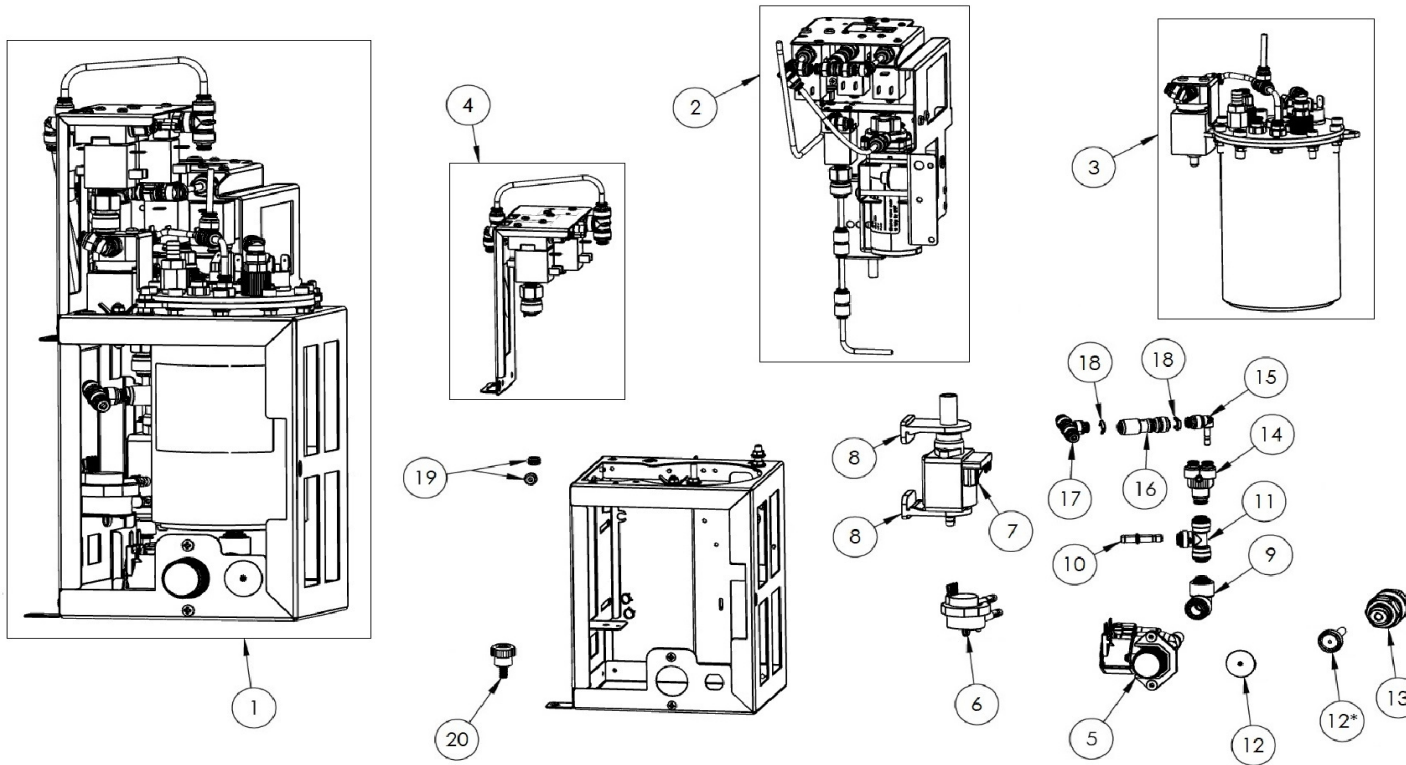
N.	CODE	DESCRIZIONE	DESCRIPTION
1	3A0001195	CALDAIA 1700R 1800W - 230V C-SPIRALE	BOILER 1700R 1800W - 230V C-SPIRAL
2	9MCAS0130	CALDAIA D.89 C/FLANGIA D.110 V.01 SALDATA H.158 - INOX 316	1 LITER BOILER STAINLESS STEEL
3	9RGUVF086	GUAINA ISOLANTE CALDAIA 158X303 SP.5MM ZOTEKN/NB50	BOILER HEAT INSULATION 158X303
4	9MCAI0050	DISCO RIPARA CALORE 17/27/37/4700 - INOX 10/10 2B	HEATING METAL DISC MOD.4700
5	9M0001193	COPERCHIO SUP. CALDAIA C/SPIRALE D.89-110	1 LITER BOILER TOP LID
6	8M0001456	STAFFA EV CAFFE 1700R	BRACKET 1700R
7	9EELI3825	ELETTROV.3 VIE INOX BIG. 1/8FF DN1,4-PTG 24DC AE	COFFEE GROUP ELECTROVALVE 24 VDC STAINLESS STEEL
8	5SSOTM902	SONDA TEMPER.INOX C/SEDE OR 180° CABL.COMP L.200MM	BOILER TEMPERATURE PROBE L.200MM W/CONNECTORS
9	9RORS3050	ELETTROV.3 VIE INOX BIG. 1/8FF DN1,4-PTG 24DC	COFFEE GROUP ELECTROVALVE 24 VDC STAINLESS STEEL
10	9E0001005	RESISTENZA 230V 1750W INCOLOY RAC.TIG - IRCA	HEATING ELEMENT 230V 1750W INCOLOY - IRCA
11	9R0001010	GUARNIZIONE OR 108 8,73x1,78 LSR RS SH.70	RED SILICON ORING 108 - 8,73X1,78 SH.70
12	9STHM2150	TERMOSTATO BIMET. 150° MANUALE C/FASTON VER - NC	BOILER THERMOSTAT MANUAL RESET 150 °C
13	9IANP4103	RACCORDO GIREVOLE 1/8M C/OR D.4 INN.RAPIDO PPSU - AVS	PPSU QUICK CONN. ELBOW FIT.1/8M D.4
14	9IPTI1804	RACCORDO DRITTO 1/8M C/OR D.4 INN.RAPIDO INOX - AVS	INOX QUICK CONN. STRAIGHT FIT.1/8M D.4
15	9IPTP4003	RACCORDO DRITTO 1/8M C/OR D.4 INN.RAPIDO PPSU - AVS	PPSU QUICK CONN. STRAIGHT FIT.1/8M D.4
16	9IVSO0162	VALVOLA SICUREZZA 1/8M-PTG9 OT58 APER.16BAR VITON	16 BAR VITON OVER PRESSURE VALVE
17	9IROT0444	RACCORDO AUTOMATICO A T PPSU PER TUBO DA 4-4-4 MM - AVS	UNION TEE 4MM

HLF 1700
DRAW N.8



N.	CODE	DESCRIZIONE	DESCRIPTION
1	3A0001203	ASSIEME EV 1700R F-S	1700R F-S SOLENOID VALVE ASSEMBLY
2	9EELI3560	ELETTROVALVOLA 2 VIE INOX 1/8FF DN 1,9 24VDC	2 WAY ELECTROVALVE 24V STAINLESS STEEL 1,9 MM
3	9IPTM4000	PORTAGOMMA DRITTO 1/8M D.5 C/OR	METAL STRAIGHT HOSE CONNECTOR 1/8M-OR
4	9EELI3661	E.V.3VIE INOX PIC.1/8FF DN1,9-1,9 24VDC-PTG FIL AE	3 WAY E.V.24V ST.STEEL 1.9 MM W/1,9 THREAD.OUTLET
5	9IANP4103	RACCORDO GIREVOLE 1/8M C/OR D.4 INN.RAPIDO PPSU - AVS	PPSU QUICK CONN. ELBOW FIT.1/8M D.4
6	9IPTI1806	PORTAGOMMA 1/8M D.6 INOX C.OR E RESCHE	METAL STRAIGHT HOSE CONNECTOR 1/8M-OR - INOX
7	9IROT1844	RACCORDO A T PPSU ATTACCO 1/8 GAS PER TUBO DA 4 E 4 MM	T-SWIVEL ADAPTOR - MALE 1/8" FOR TUBE 4MM
8	9IPTP4003	RACCORDO DRITTO 1/8M C/OR D.4 INN.RAPIDO PPSU - AVS	PPSU QUICK CONN. STRAIGHT FIT.1/8M D.4
9	9IROP0401	CODOLO PORTAGOMMA DRITTO CON RESCHE Ø4-Ø4	TUBE BARB CONNECTOR Ø4 Ø4
10	9IROY0444	RACCORDO INN. RAPIDO A Y PPSU PER TUBO DA 4-4-4 MM	Y - CONNECTOR PPSU
11	9I0001012	RACCORDO 1-8F DIAM 4MM POM TIERRE	UNION TEE 4MM 1-8F
12	9ITRC0401	CLIP DI BLOCCAGGIO RACCORDI TR D.4 - ROSSA	LOCKING CLIP FOR TIERRE FITTING D.4

HLF 1700
DRAW N.9



N.	CODE	DESCRIZIONE	DESCRIPTION
1	3A0001205	ASSIEME MODULO IDRICO F 1700R	F 1700R WATER MODULE ASSEMBLY
1*	3A0001202	ASSIEME MODULO IDRICO F-SC 1700R	F-SC 1700R WATER MODULE ASSEMBLY
1**	3A0001206	ASSIEME MODULO IDRICO S 1700R	S 1700R WATER MODULE ASSEMBLY
1***	3A0001222	ASSIEME MODULO IDRICO F WT 1700R	F WT 1700R WATER MODULE ASSEMBLY
2	3A0001204	ASSIEME MODULO LATTE 1700R	MILK MODULE 1700R ASSEMBLY
2*	3A0001197	ASSIEME MODULO LATTE SC 1700R	MILK MODULE SC 1700R ASSEMBLY
3	3A0001195	CALDAIA 1700R 1800W - 230V C-SPIRALE	BOILER 1700R 1800W - 230V C-SPIRAL
3*	3A0001207	CALDAIA 1700R 1800W - 230V	BOILER 1700R 1800W - 230V
4	3A0001203	ASSIEME EV 1700R F-S	1700R F-S SOLENOID VALVE ASSEMBLY
4*	3A0001196	ASSIEME EV 1700R F SELF-CLEANING	1700R SELF-CLEANING SOLENOID VALVE ASSEMBLY
4**	3A0001221	ASSIEME EV 1700R F WT	1700R F WT SOLENOID VALVES ASSEMBLY
5	9E0001014	VALVOLA DUAL 24VDC 3/4"-CODOLO D.10 RID. PRESS. 0,5BAR C/STAFFA +CHECKVALVE OUT	DUAL VALVE 24VDC 3/4"-P.G.10 PRES.RED. 0,5BAR W/BRACKET +CHECK VALVE OUT
6	9ECOV3010	CONTATORE VOLUMETRICO 2PTG PARALLELI GICAR FORO 1,2	FLOW-METER 2 PARALLEL CONN. NOZZLE 1,2
7	9EMPU3037	POMPA ULKA EP5 24V/50-60HZ	WATER PUMP
8	9PSPP2031	SUPPORTO PER POMPA ULKA - DAVOS NERO	WATER PUMP RUBBER HOLDER
9	9I0001039	RACCORDO RIDUZIONE INN. RAPIDO CURVO 10-6MM JG PM	SHANK REDUCTION QUICK COUPLING STRAIGHT 8-6MM
10	9I0001017	CODOLO PORTAGOMMA DRITTO CON RESCHE D.6-7,1 - PPSU AVS	UNION TEE 6MM
11	9I0001023	RACCORDO INN.RAPIDO A T 6-6-6MM JG PM	QUICK CONNECTION T 6-6-6MM JG PM
12	9PTPN0168	TAPPO COPRIFORO D.25 NERO X FORI VARIABILI 15-21,5	PLASTIC CAP D.25
12*	9I0001064	RACCORDO TAPPO D.4 POM	UNION TEE 4MM
13	9I0001006	RACCORDO PASSAPARETE AUTOM. D.4 - D.4 POM	UNION TEE 4MM
14	9I0001056	RACCORDO INN. RAPIDO A Y PPSU PER TUBO 6-4-4 MM	Y - CONNECTOR PPSU 6-4-4 mm
15	9IROG0404	RACC ANGOLO DA INN RAPIDO A CODOLO Ø4 - Ø4 MM - PPSU AVS	QUICK ELBOW CONNECTOR 4-4MM
16	9I0001005	VALVOLA NON RITORNO D.4 - D.4 POM	UNION TEE 4MM
17	9IROT0444	RACCORDO AUTOMATICO A T PPSU PER TUBO DA 4-4-4 MM - AVS	UNION TEE 4MM
18	9ITRC0401	CLIP DI BLOCCAGGIO RACCORDI TR D.4 - ROSSA	LOCKING CLIP FOR TIERRE FITTING D.4
19	9RPCN0410	PASSACAPO D.10 INTERNO D.4 SP. LAM. 1,5 - PVC NERO	RUBBER WASHER D.10 INTERNAL D.4
20	9IVON0302	VOLANTINO DI FISSAGGIO ZIGRINATO NERO - M5 L.10 FE ZN	BLACK ROUND KNOB M5